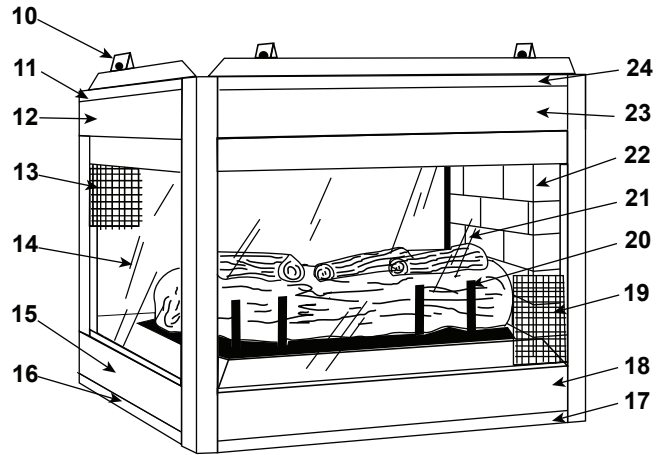
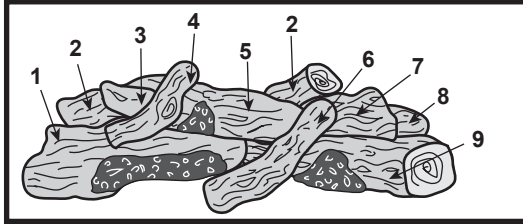


Log Set Assembly



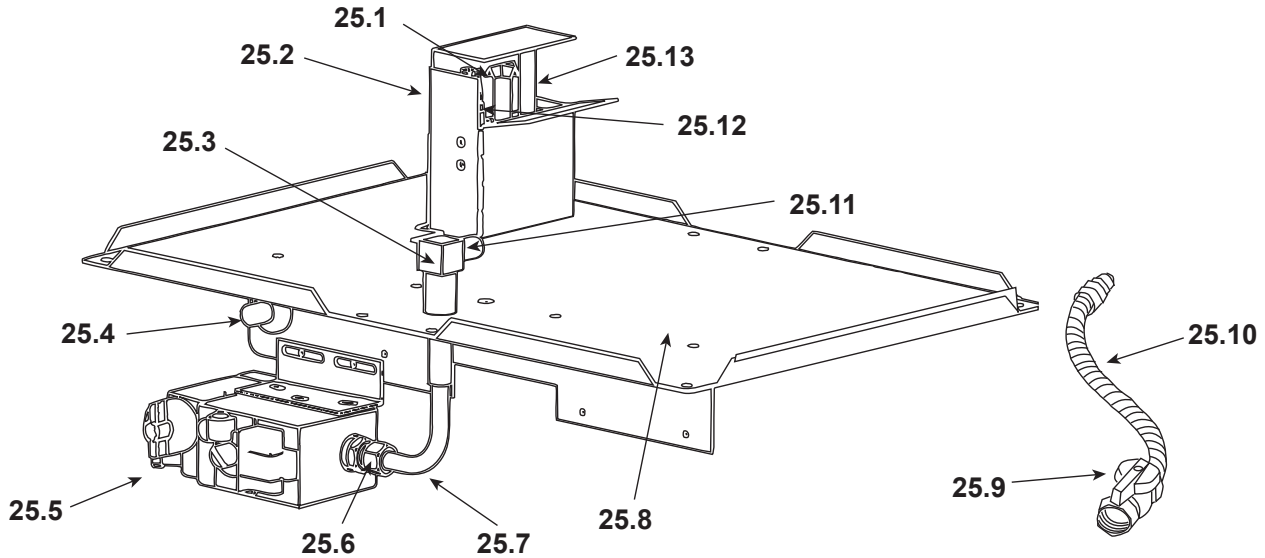
IMPORTANT: THIS IS DATED INFORMATION. Parts must be ordered from a dealer or distributor. **Hearth and Home Technologies does not sell directly to consumers.** Provide model number and serial number when requesting service parts from your dealer or distributor.



Stocked at Depot

ITEM	DESCRIPTION	COMMENTS	PART NUMBER	
	Log/Grate Assembly		27793	Y
	Log Assembly		27794	Y
1	Front Bottom Left Log		SRV26623	
2	Rear Top Logs	Qty 2 req	SRV26627	
3	Back Left Log		SRV26621	
4	Front Top Left Log	No longer available	SRV17229	
5	Middle Log		SRV26620	
6	Front Middle Log		SRV26626	
7	Middle Right Log		SRV26625	
8	Back Right Log		SRV26622	
9	Front Bottom Right Log		SRV26624	
10	Top Standoff	Qty 4 req	SRV4044-111	
11	End Top Right Face	No longer available	28112	
12	End Upper Face	No longer available	27656	
13	End Screen Assembly		29693	Y
14	End Glass Assembly	Tempered	SRV4002-045	Y
		No longer available	SRV4002-062	
15	End Lower Face	No longer available	25913	
16	End Bottom Face	No longer available	25914	
17	Front Bottom Face	No longer available	25916	
18	Front Control Access Door Assembly		25893	
19	Front Screen Assembly	Qty 2 req	26161	Y
20	Grate		26249	
21	Front Glass Assembly	Qty 2 req	4002-053	Y
22	End Refractory	No longer available	25835	
23	Front Upper Face - Overlay only	Qty 2 req	27655	
24	Front Top Face	No longer available	27651	

#25 Valve Assembly



IMPORTANT: THIS IS DATED INFORMATION. Parts must be ordered from a dealer or distributor. **Hearth and Home Technologies does not sell directly to consumers.** Provide model number and serial number when requesting service parts from your dealer or distributor.



**Stocked
at Depot**

ITEM	DESCRIPTION	COMMENTS	PART NUMBER	
25.1	Pilot Assembly - NG		4021-732	Y
	Pilot Assembly - LP		4021-733	Y
25.2	Pilot Surround		27981	
25.3	Bulkhead	No longer available	35403	
25.4	Push Button Ignitor		291-513	Y
25.5	Valve - NG		SRV24033	Y
	Valve - LP		SRV24034	Y
25.6	Brass Connector - Male - Valve/Tube		13425	
25.7	Burner Supply Tube	No longer available	27901	
25.8	Burner Pan Assembly		25847	Y
25.9	ON/OFF Valve		SRV15697	Y
25.10	Flex Line		SRV302-320	Y
25.11	Burner Orifice (.115) - NG		SRV26617	Y
	Burner Orifice (.067) - LP		SRV17812	Y
25.12	Thermocouple		SRV72956	Y
25.13	Thermopile		2103-512	Y

Additional service part numbers appear on following page.

IMPORTANT: THIS IS DATED INFORMATION. Parts must be ordered from a dealer or distributor. **Hearth and Home Technologies does not sell directly to consumers.** Provide model number and serial number when requesting service parts from your dealer or distributor.



Stocked
at Depot

ITEM	DESCRIPTION	COMMENTS	PART NUMBER	
	Brass Connector - Flex	Pkg of 5	303-315/5	Y
	Connector, 90° Brass - Flex		SRV4021-045	
	Corner Bracket	No longer available	23439	
	Exhaust Collar Assembly	No longer available	25837	
	Exhaust Cover Plate	No longer available	25840	
	Flue Adapter Assembly	No longer available	25881	
	Flue Cover Plate	No longer available	25901	
	Glass Catch Latch Assembly	No longer available	30537	
	Glass Gasket	10 Ft	28091/10	Y
	Glass Retainer	Qty. 4 req.	26798	
	Glass Retainer, End	No longer available	25851	
	Golden Ember		GE-93	
	Hearth Assembly w/ Burner Pan Assembly	No longer available	27795	
	High Limit Switch	Pre May 1999	SRV24967	Y
	High Limit Switch Bracket	No longer available	26619	
	Hood (Long side)	Qty 2 req	27658	
	Hood (Short side)	No longer available	27659	
	Intake Collar Assembly	No longer available	25841	
	Intake Cover Plate	No longer available	25844	
	Junction Box Assembly		22130	Y
	Back Lower Face	No longer available	25912	
	Lava Rock		4021-296	
	Mineral Wool		SRV14333	
	Nailing Flanges	Qty 8 req	SRV31190	
	Pilot Bracket	No longer available	25929	
	Screen Bracket	No longer available	SRV28159	
	Stop Bracket	No longer available	22132	
	Touch-up Paint		71479	
	Valve Bracket		19303	
	Vermiculite		28746	
	Wall Switch Wires		SRV28602	Y
	Conversion Kit NG		CKVN	Y
	Conversion Kit LP		CKVP	Y
	Pilot Orifice (.021) - NG		SRV446-505	Y
	Pilot Orifice (.0115) - LP		SRV446-517	Y
	Installation Instructions		28886	