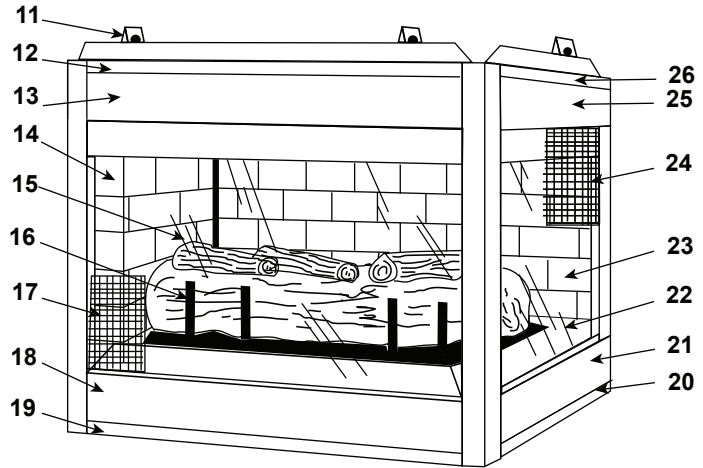
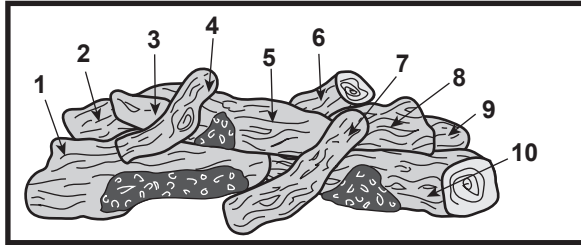


Log Set Assembly



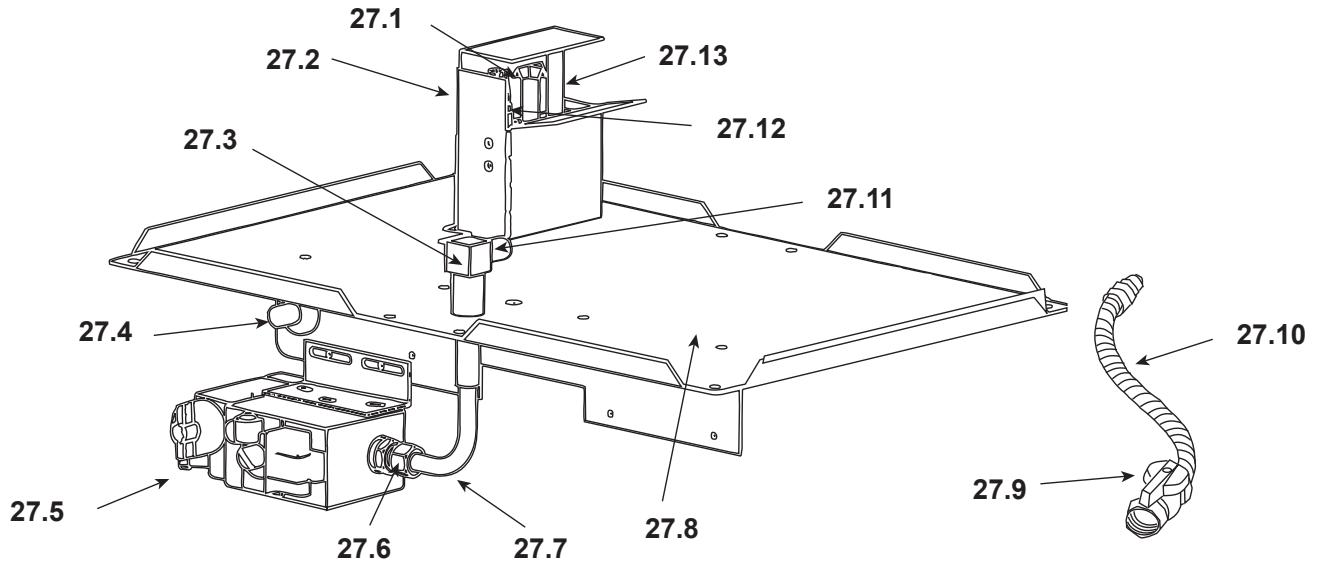
IMPORTANT: THIS IS DATED INFORMATION. Parts must be ordered from a dealer or distributor. **Hearth and Home Technologies does not sell directly to consumers.** Provide model number and serial number when requesting service parts from your dealer or distributor.



Stocked at Depot

| ITEM | DESCRIPTION | COMMENTS | PART NUMBER | |
|------|--------------------------------------|----------------------------|-------------|---|
| | Log/Grate Assembly | | 27793 | Y |
| | Log Assembly | | 27794 | Y |
| 1 | Front Bottom Left Log | | SRV26623 | |
| 2 | Top Left Log | | SRV24839 | |
| 3 | Back Left Log | | SRV26621 | |
| 4 | Front Top Left Log | No longer available | SRV17229 | |
| 5 | Middle Log | | SRV26620 | |
| 6 | Rear Top Log | | SRV26627 | |
| 7 | Front Middle Log | | SRV26626 | |
| 8 | Middle Right Log | | SRV26625 | |
| 9 | Back Right Log | | SRV26622 | |
| 10 | Front Bottom Right Log | | SRV26624 | |
| 11 | Top Standoff | Qty 4 req | SRV4044-111 | |
| 12 | Top Front Face | No longer available | 27651 | |
| 13 | Front Upper Face | Overlay only | 27655 | |
| 14 | Refractory, End | No longer available | 25835 | |
| 15 | Glass Assembly | | 4002-053 | Y |
| 16 | Grate | | 26249 | |
| 17 | Screen Assembly | | 26161 | Y |
| 18 | Front Lower Face Access Panel | | 25893 | |
| 19 | Front Bottom Face | No longer available | 25916 | |
| 20 | End Bottom Face | No longer available | 25914 | |
| 21 | End Lower Face | No longer available | 25913 | |
| 22 | End Glass Assembly | | SRV4002-045 | Y |
| 23 | Side Refractory | No longer available | 25836 | |
| 24 | End Screen Assembly - Qty. 2 req. | Post 17/98 | 29693 | Y |
| 25 | End Upper Face - Overlay only | No longer available | 27656 | |
| 26 | Top End Right Face | No longer available | 27652 | |

#27 Valve Assembly



IMPORTANT: THIS IS DATED INFORMATION. Parts must be ordered from a dealer or distributor. **Hearth and Home Technologies does not sell directly to consumers.** Provide model number and serial number when requesting service parts from your dealer or distributor.



**Stocked
at Depot**

| ITEM | DESCRIPTION | COMMENTS | PART NUMBER | |
|-------|----------------------------|----------------------------|-------------|---|
| 27.1 | Pilot Assembly - NG | | 4021-732 | Y |
| | Pilot Assembly - LP | | 4021-733 | Y |
| 27.2 | Pilot Surround | | 27981 | |
| 27.3 | Bulkhead | No longer available | 35403 | |
| 27.4 | Push Button Ignitor | | 291-513 | Y |
| 27.5 | Valve - NG | | SRV24033 | Y |
| | Valve - LP | | SRV24034 | Y |
| 27.6 | Brass Male Connector Tube | | 13425 | |
| 27.7 | Burner Supply Tube | No longer available | 27901 | |
| 27.8 | Burner Pan Assembly | | 25847 | Y |
| 27.9 | ON/OFF Valve | | SRV15697 | Y |
| 27.10 | Flex Line | | 7000-197 | Y |
| 27.11 | Burner Orifice (.115) - NG | | SRV26617 | Y |
| | Burner Orifice (.067) - LP | | SRV17812 | Y |
| 27.12 | Thermocouple | | SRV72956 | Y |
| 27.13 | Thermopile | | 2103-512 | Y |

Additional service part numbers appear on following page.

IMPORTANT: THIS IS DATED INFORMATION. Parts must be ordered from a dealer or distributor. **Hearth and Home Technologies does not sell directly to consumers.** Provide model number and serial number when requesting service parts from your dealer or distributor.



**Stocked
at Depot**

| ITEM | DESCRIPTION | COMMENTS | PART NUMBER | |
|------|-----------------------------|---------------------|-------------|---|
| | Brass Male Connector - Flex | Pkg of 5 | 303-315/5 | Y |
| | Connector, 90° Brass - Flex | | 14326 | |
| | Corner Bracket | No longer available | 23439A | |
| | Exhaust Collar Assembly | No longer available | 25837 | |
| | Exhaust Cover Plate | No longer available | 25840 | |
| | Flue Adapter Assembly | No longer available | 25881 | |
| | Flue Cover Plate | No longer available | 25901 | |
| | Glass Catch Latch Assembly | No longer available | 30537 | |
| | Glass Gasket | 10 Ft | 28091/10 | Y |
| | Glass Latch Handle | No longer available | 4002-061 | |
| | Glass Retainer | Qty 2 req | 26798 | |
| | Glass Retainer, End | No longer available | 25851 | |
| | Golden Embers | | GE-93 | Y |
| | High Limit Switch | Pre 18/99 | SRV24967 | Y |
| | High Limit Switch Bracket | No longer available | 26619 | |
| | Hood | | 27658 | |
| | Hood, Short | No longer available | 27659 | |
| | Intake Collar Assembly | No longer available | 25841 | |
| | Intake Cover Plate | No longer available | 25844 | |
| | Junction Box Assembly | | 22130 | Y |
| | Lava Rock | | 4021-296 | |
| | Mineral Wool | | SRV14333 | |
| | Nailing Flanges | Qty 8 req | 31190 | |
| | Pilot Bracket | No longer available | 25929 | |
| | Screen Bracket | Qty 4 req | SRV28159 | Y |
| | Stop Bracket | No longer available | 22132 | |
| | Touch-up Paint | | 71479 | |
| | Valve Bracket | | 19303 | |
| | Vermiculite | | 28746 | |
| | Wall Switch Wires | | SRV28602 | Y |
| | | | | |
| | Conversion Kit NG | | CKN | Y |
| | Conversion Kit LP | | CKP | Y |
| | Pilot Orifice (.021) - NG | | SRV446-505 | Y |
| | Pilot Orifice (.0115) - LP | | SRV446-517 | Y |
| | | | | |
| | Installation Instructions | | 28886 | |