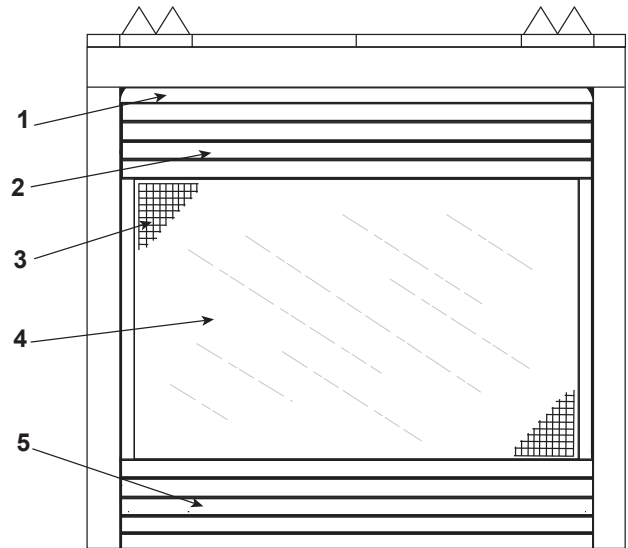
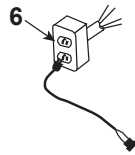
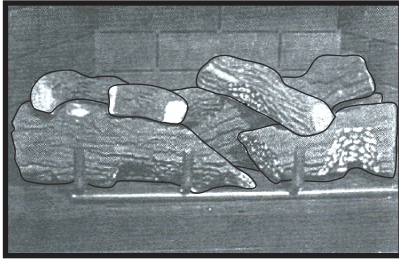


Log Set Assembly

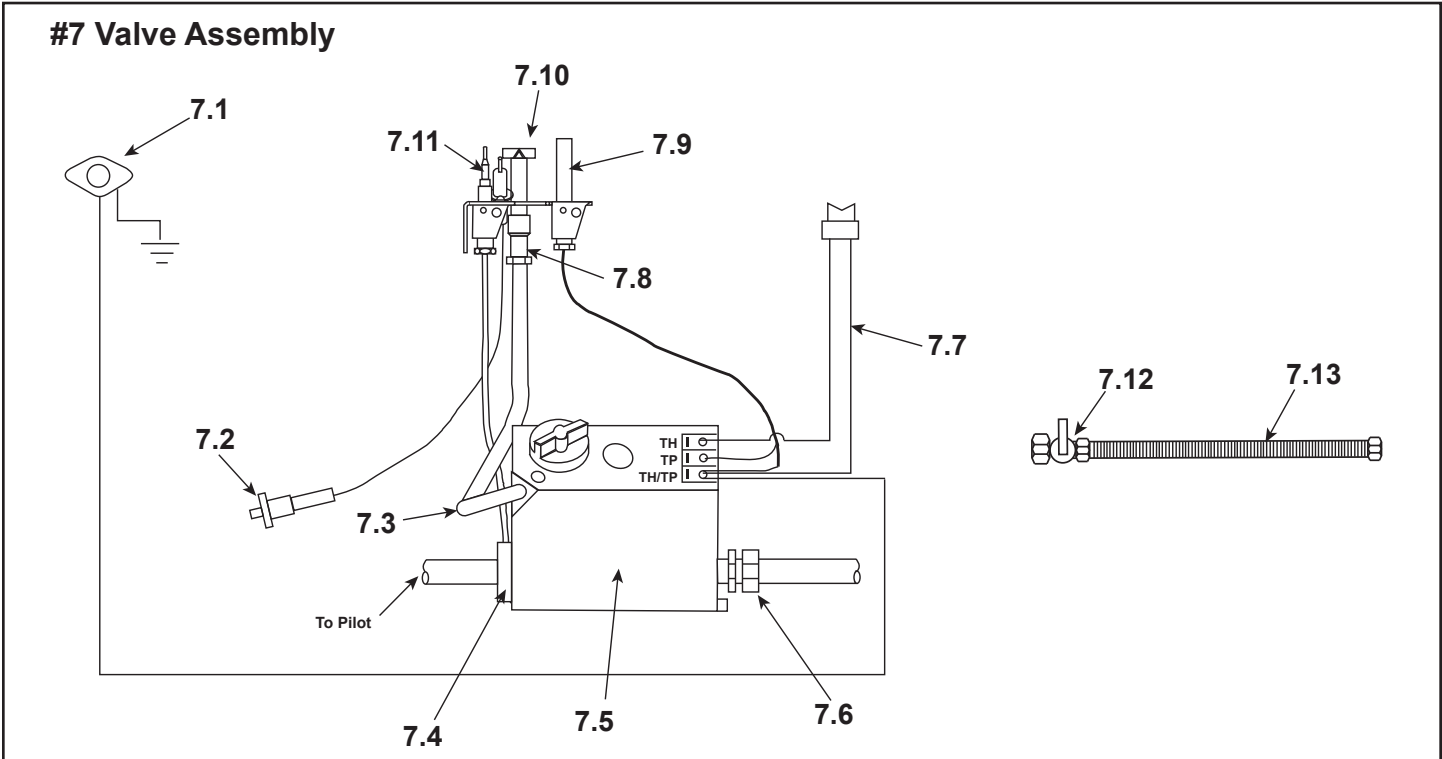


IMPORTANT: THIS IS DATED INFORMATION. Parts must be ordered from a dealer or distributor. **Hearth and Home Technologies does not sell directly to consumers.** Provide model number and serial number when requesting service parts from your dealer or distributor.



Stocked at Depot

ITEM	DESCRIPTION	COMMENTS	PART NUMBER	
	Log/Grate Assembly - Pre 18/98	No longer available	27499	
	Log, Top Left	No longer available	24694	
	Log, Top Right		SRV24839	
	Log, Top	No longer available	25799	
	Log, Front Left	No longer available	26532	
	Log, Back Left	No longer available	26533	
	Log, Center	No longer available	26534	
	Log, Back Right	No longer available	26536	
	Log, Front Right	No longer available	26535	
	Log/Grate Assembly - Post 18/98	No longer available	28097	
	Log, Top Left	No longer available	24694	
	Log, Top Right		SRV24839	
	Log, Top	No longer available	25799	
	Log, Front left	No longer available	27983	
	Log, Center	No longer available	27985	
	Log, Front Right	No longer available	27986	
	Log, Back Right	No longer available	27987	
	Log, Back Left	No longer available	29366	
1	Hood	No longer available	13441	
2	Grille, Top		25018A	
3	Screen Assembly		35106	Y
4	Glass Assembly		GLA4031-095	Y
	Glass Latch Retrofit Kit	Qty 3 req	34529	
5	Grille, Lower		25016	
6	Junction Box Kit		22130	Y



IMPORTANT: THIS IS DATED INFORMATION. Parts must be ordered from a dealer or distributor. **Hearth and Home Technologies does not sell directly to consumers.** Provide model number and serial number when requesting service parts from your dealer or distributor.



Stocked at Depot

ITEM	DESCRIPTION	COMMENTS	PART NUMBER	
7.1	High Limit Switch		SRV24967	Y
7.2	Push Button Ignitor		291-513	Y
7.3	Pilot Tube Kit		26471	Y
7.4	Brass Male Connector - Flex	Pkg of 5	303-315/5	Y
7.5	Valve - NG		SRV24033	Y
	Valve - LP		SRV24034	Y
7.6	Brass Male Connector - Tube		13425	
7.7	Wall Switch Wire Assembly	No longer available	14720	
7.8	Pilot Orifice (.021) - NG		SRV446-505	Y
	Pilot Orifice (.0115) - LP		SRV446-517	Y
7.9	Thermopile		2103-512	Y
7.10	Pilot Assembly - NG		4021-732	Y
	Pilot Assembly - LP		4021-733	Y
7.11	Thermocouple		SRV72956	Y
7.12	ON/OFF Valve		SRV15697	Y
7.13	Flex Line 16 in.		SRV4121-006	Y
	Burner Orifice (.110) - NG		SRV17235	Y
	Burner Orifice (.063) - LP	Pre 18/98	SRV17236	Y
		Post 18/98	SRV17812	Y

Additional service part numbers appear on following page.

IMPORTANT: THIS IS DATED INFORMATION. Parts must be ordered from a dealer or distributor. **Hearth and Home Technologies does not sell directly to consumers.** Provide model number and serial number when requesting service parts from your dealer or distributor.



**Stocked
at Depot**

ITEM	DESCRIPTION	COMMENTS	PART NUMBER	
	Brass Elbow		13908B	
	Burner Gas Tube	No longer available	25168	
	Burner Hearth Assembly		29104	
	Burner Pan Assembly		25832	Y
	Extended Hood		29575	
	Fan Kit		GFK4B	
	Glass Gasket	10 Ft	28091/10	Y
	Glass Latch Assembly		27066	
	Latch Bracket		29458	
	Hearth Pan	No longer available	24568	
	High Limit Switch Plate	No longer available	14391D	
	Lava Rock Retainer	No longer available	26730	
	Nailing Flange		31190	
	Pilot Bracket	No longer available	25917	
	Refractory Kit	No longer available	25454	
	Refractory, Back		25170	
	Refractory, Side	No longer available	25169	
	Touch-up Paint		71479	
	Valve Bracket		19303	
	Wool, Rock, Vermiculite		4040-094	
	Lava Rock (2 lb.)		4021-296	
	Mineral Wool		SRV14333	
	Vermiculite		28746	
	Conversion Kit NG	Not available for White Rogers	CKN	Y
	Conversion Kit LP		CKP	Y
	Installation Instructions		28883C	