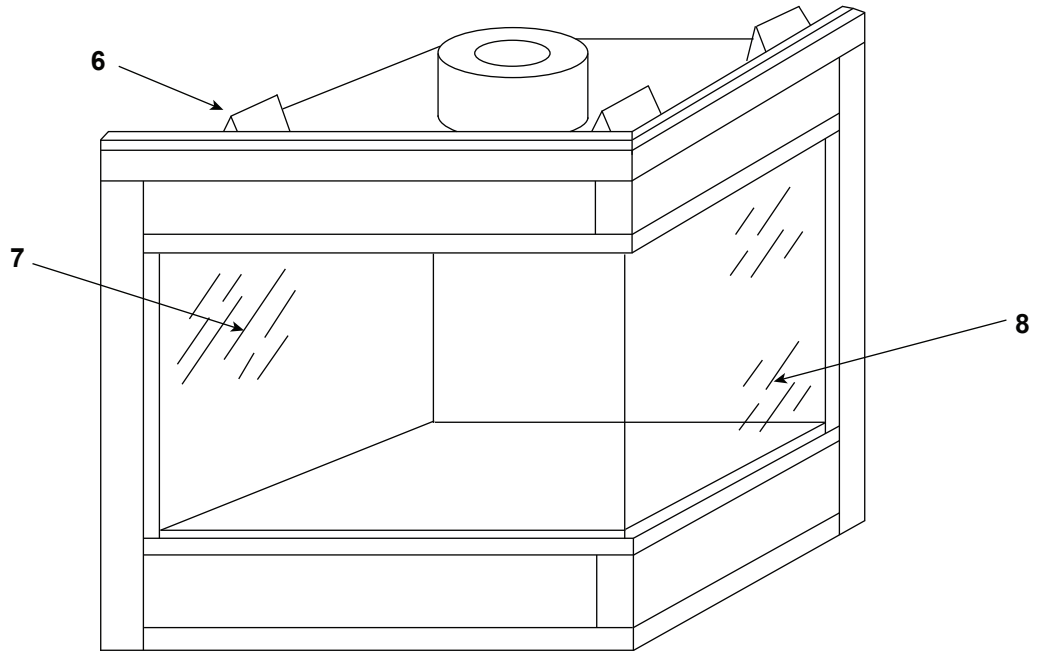
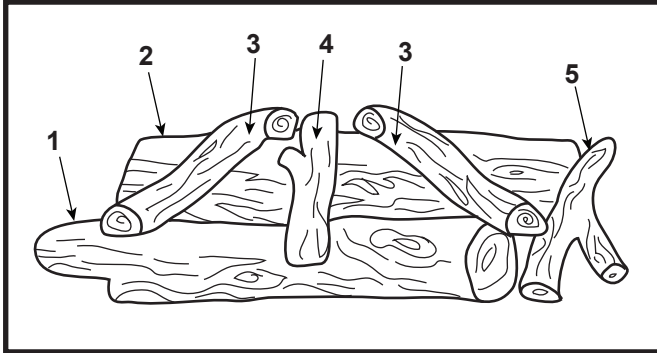


Log Set Assembly



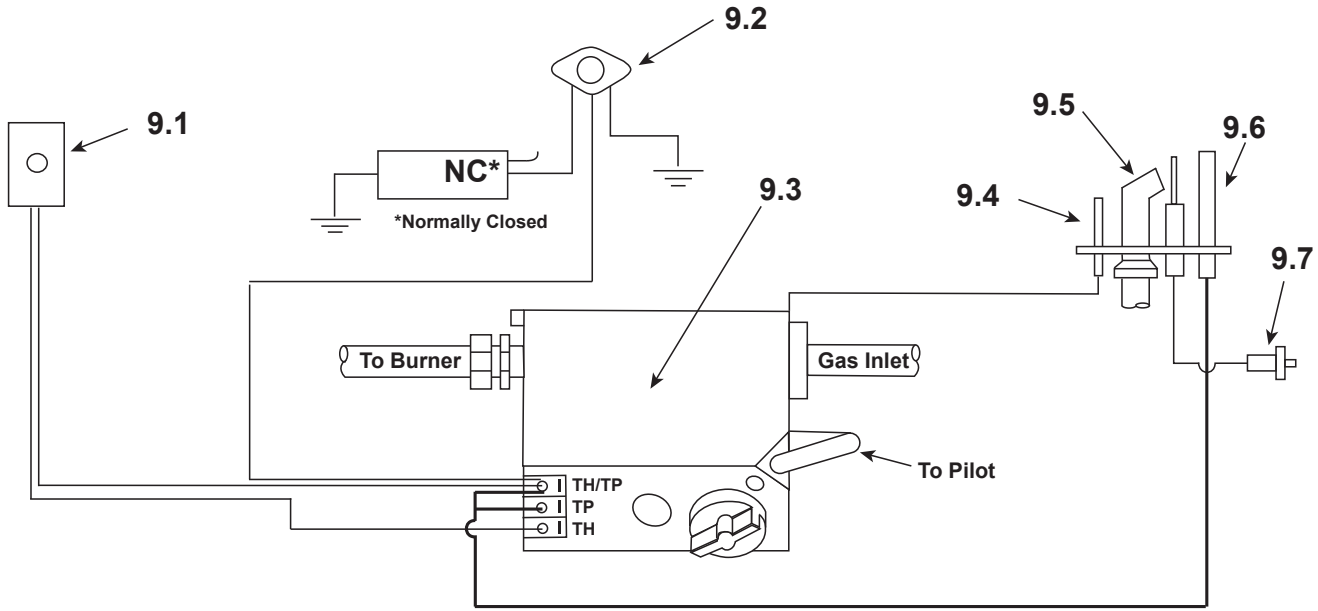
IMPORTANT: THIS IS DATED INFORMATION. Parts must be ordered from a dealer or distributor. **Hearth and Home Technologies does not sell directly to consumers.** Provide model number and serial number when requesting service parts from your dealer or distributor.



Stocked at Depot

ITEM	DESCRIPTION	COMMENTS	PART NUMBER	
	Log Set Assembly	No longer available	19649	
1	Front Log	No longer available	15693F	
2	Back Log	No longer available	SRV15691	
3	Left and Right Logs	No longer available	SRV17229	
4	Top Middle Log	No longer available	SRV18781	
5	End Log	No longer available	18782A	
6	Top Standoff	Qty 4 req	SRV4044-111	
7	Front Glass Panel		SRV16146	Y
8	End Glass Panel	No longer available	19827A	

#9 Standing Pilot Wiring Diagram



IMPORTANT: THIS IS DATED INFORMATION. Parts must be ordered from a dealer or distributor. **Hearth and Home Technologies** does not sell directly to consumers. Provide model number and serial number when requesting service parts from your dealer or distributor.



Stocked at Depot

ITEM	DESCRIPTION	COMMENTS	PART NUMBER	
9.1	Wall Switch Wiring Assembly	No longer available	14720	
9.2	High Limit Switch		SRV24968	Y
9.3	Valve (W/R) - NG		SRV71492	Y
	Valve (W/R) - LP	No longer available	71485	
9.4	Thermocouple		SRV72956	Y
9.5	Pilot Assembly w/Thermopile - NG	Pre 21/96	SRV4021-728	Y
	Pilot Assembly w/Thermopile - LP	Pre 21/96	SRV4021-729	Y
	Pilot Assembly - NG	No longer available	SRV4021-726	
	Pilot Assembly - LP	Post 21/96	4021-727	Y
	Pilot Tube Kit - Assembled		SRV446-301	Y
	Pilot Tube Kit - Unassembled		26471	Y
9.6	Thermopile		2103-512	Y
9.7	Push Button Ignitor		291-513	Y

Additional service part numbers appear on following page.

IMPORTANT: THIS IS DATED INFORMATION. Parts must be ordered from a dealer or distributor. **Hearth and Home Technologies does not sell directly to consumers.** Provide model number and serial number when requesting service parts from your dealer or distributor.



**Stocked
at Depot**

ITEM	DESCRIPTION	COMMENTS	PART NUMBER	
	Brass Connector - 90 deg. - Flex		SRV4021-045	
	Brass Male Connector - Tube		13425	
	Bulkhead Union 3/8 in.	No longer available	SRV13405	
	Burner Orifice (.101) - NG		SRV13410	Y
	Burner Orifice (.059) - LP		SRV13445	Y
	Burner Tube	No longer available	24170A	
	End Firescreen	No longer available	25216A	
	Gasket, Glass	10 Ft	28091/10	Y
	End Glass Retainer	No longer available	19824B	
	Flexline Assembly	No longer available	17230B	
	Front Firescreen	No longer available	25212A	
	Front Glass Retainer	No longer available	19823B	
	Guide Pin Sleeves	Qty 2 req	SRV31120	
	High Limit Switch Bracket	No longer available	20348A	
	High Limit Wiring Kit	No longer available	25268A	
	Junction Box Kit		22130	Y
	Log Support	No longer available	15686K	
	Lower Access Panel	No longer available	19650A	
	Micro Switch	No longer available	SRV13426	
	Nailing Flange	Qty 4 req	31190	
	ON/OFF Valve		SRV15697	Y
	Rear Ember Tray	No longer available	18697	
	Silicone Gasket	10 Ft	18476/10	Y
	Valve Bracket (W/R)	No longer available	18795D	
	Valve Bracket (R/S)		19303	
	Conversion Kit NG	Not available for White Rogers	CKN	Y
	Conversion Kit LP		CKP	Y
	Pilot Orifice (.021) - NG		SRV446-505	Y
	Pilot Orifice (.0115) - LP		SRV446-517	Y
	Installation Instructions		20571	