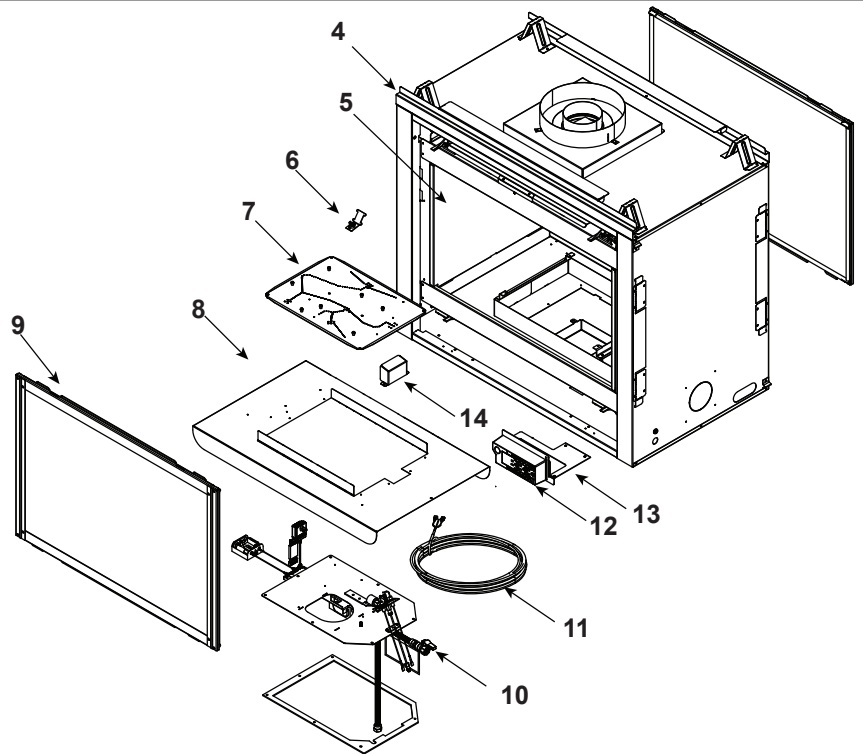
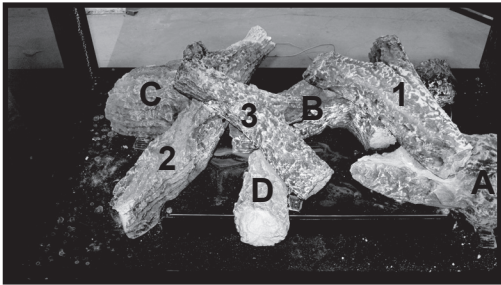


**Log Set Assembly**

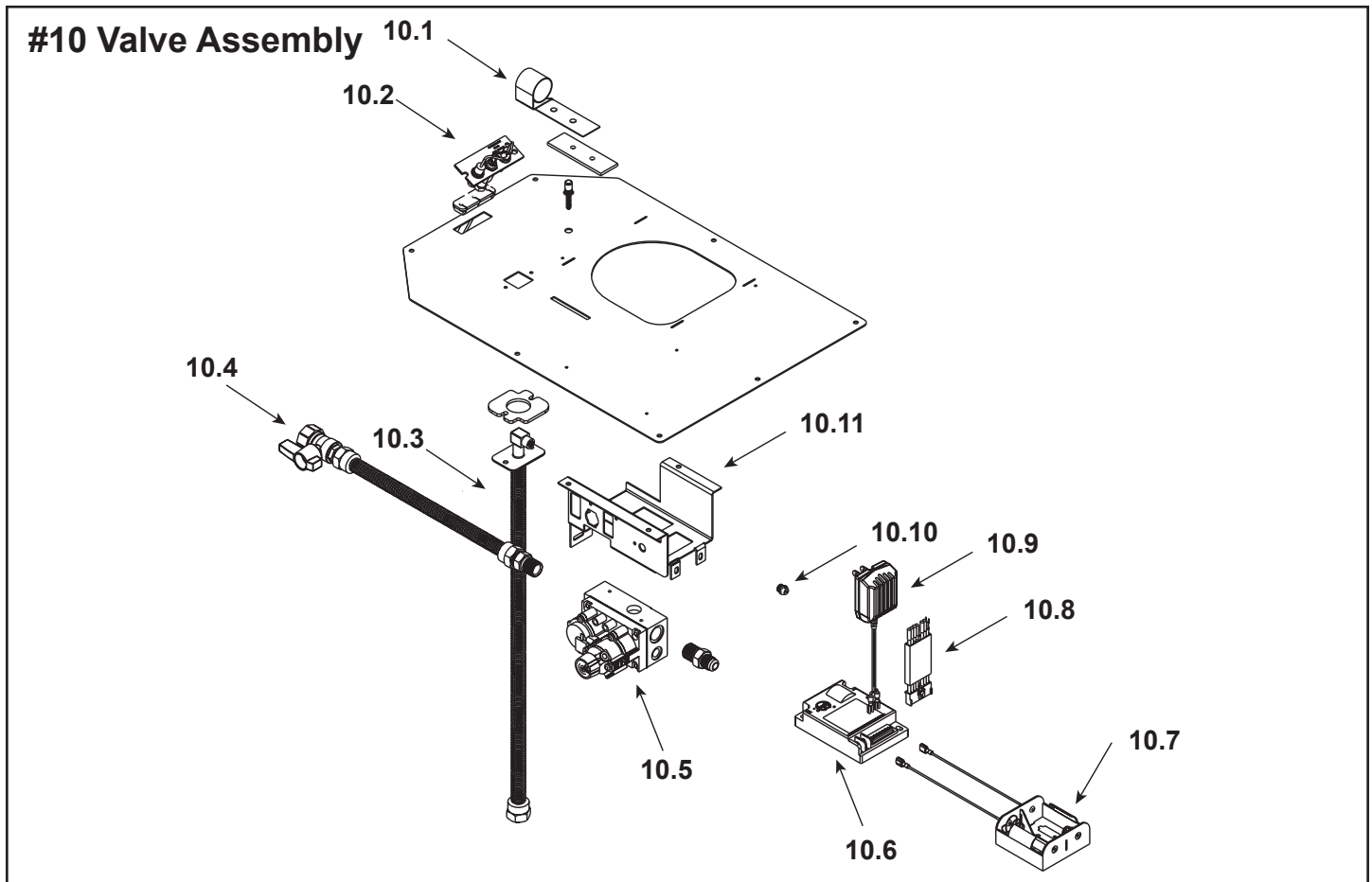


IMPORTANT: THIS IS DATED INFORMATION. Parts must be ordered from a dealer or distributor. **Hearth and Home Technologies does not sell directly to consumers.** Provide model number and serial number when requesting service parts from your dealer or distributor.



**Stocked at Depot**

ITEM	DESCRIPTION	COMMENTS	PART NUMBER	
	Log Set Assembly		LOGS-2129	Y
A	Log A	<b>Pre 5/15/16, Must order complete assembly</b>	SRV2129-701	
B	Log B		SRV2129-703	
C	Log C		SRV2129-702	
D	Log D		SRV2129-706	
1	Log 1		SRV2129-704	
2	Log 2		SRV2129-705	
3	Log 3		SRV2129-707	
4	Sheetrock Ledge		2128-118	
5	Refractory		SRV2135-017	
6	Limit Switch Assembly		SRV2134-052	Y
7	Burner NG, LP		2128-007	Y
8	Base Pan		2132-115	
9	Glass Door Assembly		GLA-6TROC	Y
10	Valve Assembly		<b>Refer to valve page</b>	
11	Thermostat Wire		SRV2118-170	Y
12	Junction Box		SRV4021-013	Y
13	Junction Box Bracket		2128-128	
14	Pilot Shield		2128-124	
	Surround Overlay (contains overlay for top, bottom and sides)		SRV2128-FACE	



IMPORTANT: THIS IS DATED INFORMATION. Parts must be ordered from a dealer or distributor. **Hearth and Home Technologies does not sell directly to consumers.** Provide model number and serial number when requesting service parts from your dealer or distributor.



**Stocked  
at Depot**

ITEM	DESCRIPTION	COMMENTS	PART NUMBER	
10.1	Shutter Bracket Assembly		2118-121	Y
10.2	Pilot Assembly NG		SRV2090-012	Y
	Pilot Assembly LP		2090-013	Y
10.3	Flexible Gas Connector		530-302A	Y
10.4	Flex Ball Valve Assembly		SRV302-320	Y
10.5	Valve NG		750-500	Y
	Valve LP		750-501	Y
10.6	Module		SRV593-592	Y
10.7	Battery Pack		SRV593-594	Y
10.8	Module Wire Assembly		SRV593-590	Y
10.9	3 Volt Transformer		SRV593-593	Y
10.10	Orifice NG (#32C)		SRV582-832	Y
	Orifice LP (#50C)		582-850	Y
10.11	Valve Bracket		2118-104	
	2 in Jumper Wires		2012-206	Y

Additional service part numbers appear on following page.

