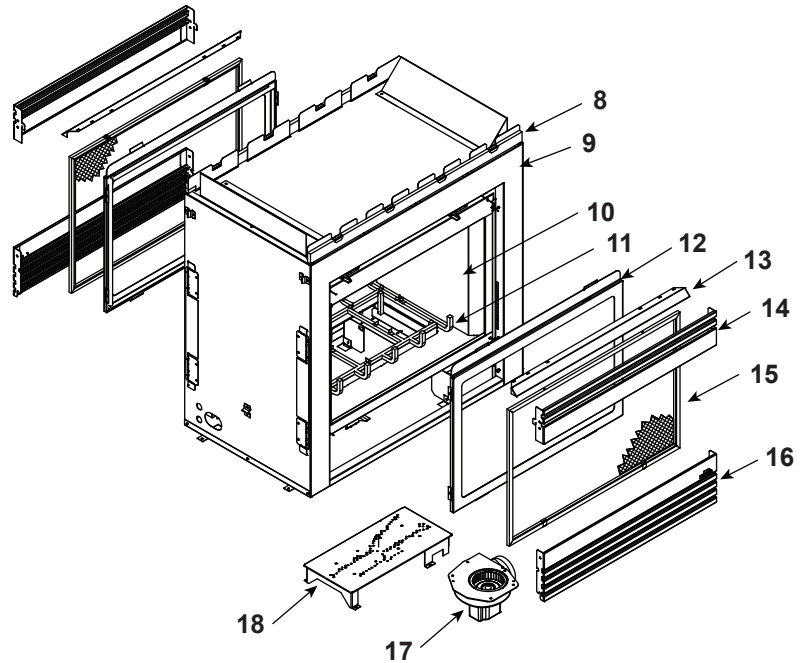
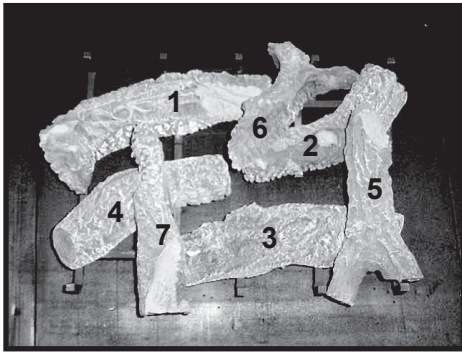


No one builds a better fire

Draft Assisted Gas Fireplace

Beginning Manufacturing Date: Jan 2002
Ending Manufacturing Date: Dec 2014

Log Set Assembly



IMPORTANT: THIS IS DATED INFORMATION. Parts must be ordered from a dealer or distributor. **Hearth and Home Technologies does not sell directly to consumers.** Provide model number and serial number when requesting service parts from your dealer or distributor.



**Stocked
at Depot**

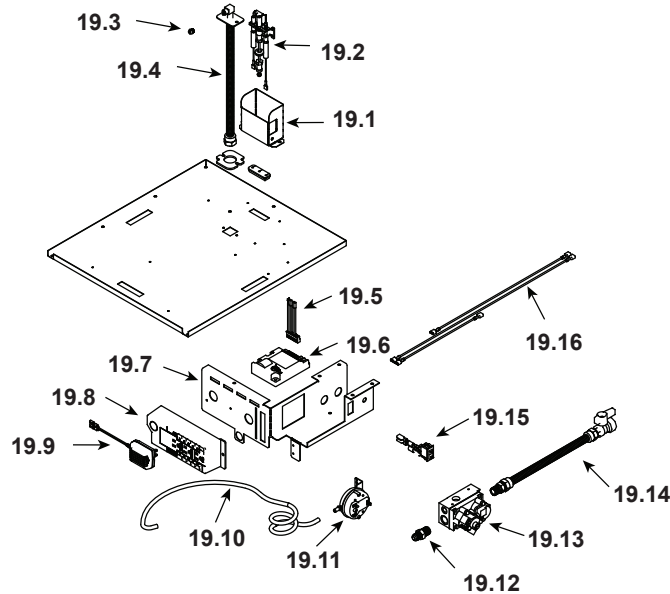
ITEM	DESCRIPTION	COMMENTS	PART NUMBER	
	Log Set Assembly		LOGS-GATEWAY	Y
1	Log 1	No longer available, Must order complete assembly	SRV288-721	
2	Log 2		SRV675-722	
3	Log 3		SRV288-726	
4	Log 4		SRV288-723	
5	Log 5		SRV285-720	
6	Log 6		SRV278-705	
7	Log 7		SRV285-725	
8	Non-combustible Board	No longer available	288-401	
9	Surround	No longer available	288-130	
10	Side Refractory	No longer available	288-280	
11	Log Grate	No longer available	288-360A	
12	Glass Door Assembly		GLA-GATEWAY	Y
13	Hood	No longer available	288-174	
14	Louver Assembly, Top	No longer available	288-252A	
15	Trim Door Mesh	No longer available	288-031	
16	Louver Assembly, Bottom	No longer available	288-249A	
17	Blower Assembly		288-125A	Y
18	Burner NG		288-176A	Y
	Burner LP		288-175A	Y

Additional service part numbers appear on following page.

No one builds a better fire

Beginning Manufacturing Date: Jan 2002
Ending Manufacturing Date: Dec 2014

#19 Valve Assembly



IMPORTANT: THIS IS DATED INFORMATION. Parts must be ordered from a dealer or distributor. **Hearth and Home Technologies does not sell directly to consumers.** Provide model number and serial number when requesting service parts from your dealer or distributor.



Stocked at Depot

ITEM	DESCRIPTION	COMMENTS	PART NUMBER	
19.1	Pilot Bracket	No longer available	288-163	
19.2	Pilot Assembly NG		SRV4021-730	
	Pilot Assembly LP		SRV4021-731	Y
19.3	Burner Orifice (#32A) NG	Pre Aug 2009	420-800	Y
	Burner Orifice (#32C) NG	Post Aug 2009	SRV582-832	Y
	Burner Orifice (#50A) LP	Pre Aug 2009	446-801	Y
	Burner Orifice (#50C) LP	Post Aug 2009	582-850	Y
19.4	Flexible Gas Connector	Pre Aug 2009	477-301A	Y
		Post Aug 2009	383-302A	Y
19.5	Wire Assembly	No longer available	288-593A	
19.6	Module		SRV593-592	Y
19.7	Valve Bracket	No longer available	288-145	
19.8	Junction Box and Wire Assembly	No longer available	SRV4021-013/288-050	
	Junction Box	Post Aug 2009	4021-013	Y
19.9	3V Adaptor Plug		SRV593-593	Y
19.10	Vacuum Hose (Teflon Tube)	No longer available	2183-369	
19.11	Vacuum Switch	No longer available	288-521	
19.12	Male connector	Pkg of 5	303-315/5	Y
19.13	Valve NG		SRV593-500	Y
	Valve LP		SRV593-501	Y
19.14	Flex Ball Valve Assembly		SRV302-320	Y
19.15	ON/OFF Rocker Switch		060-521A	Y
19.16	Wire Assembly	No longer available	N/A	
		No longer available	288-050	

Additional service part numbers appear on following page.

