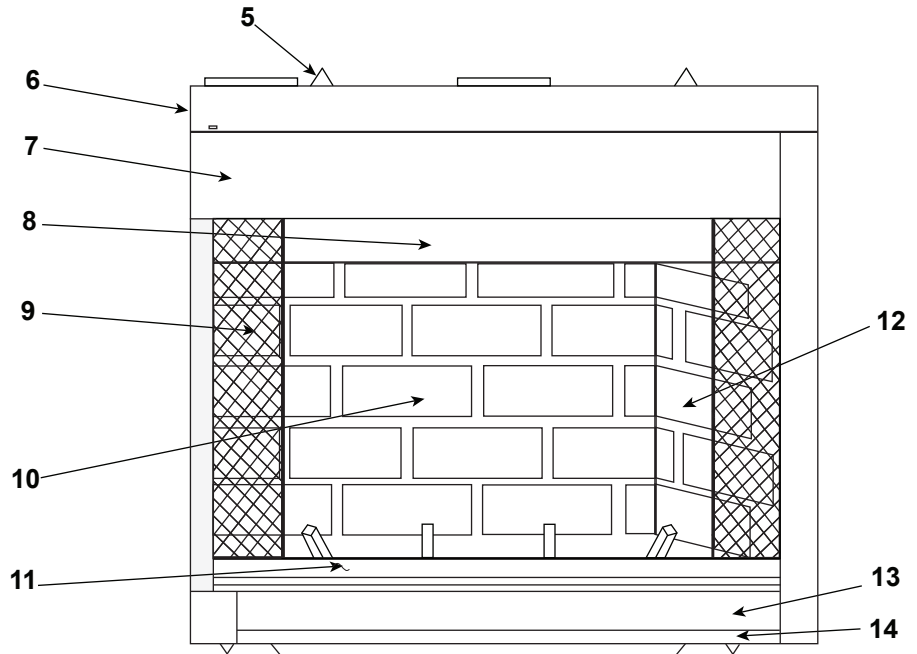
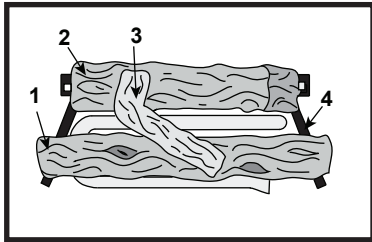


**Log Set Assembly**



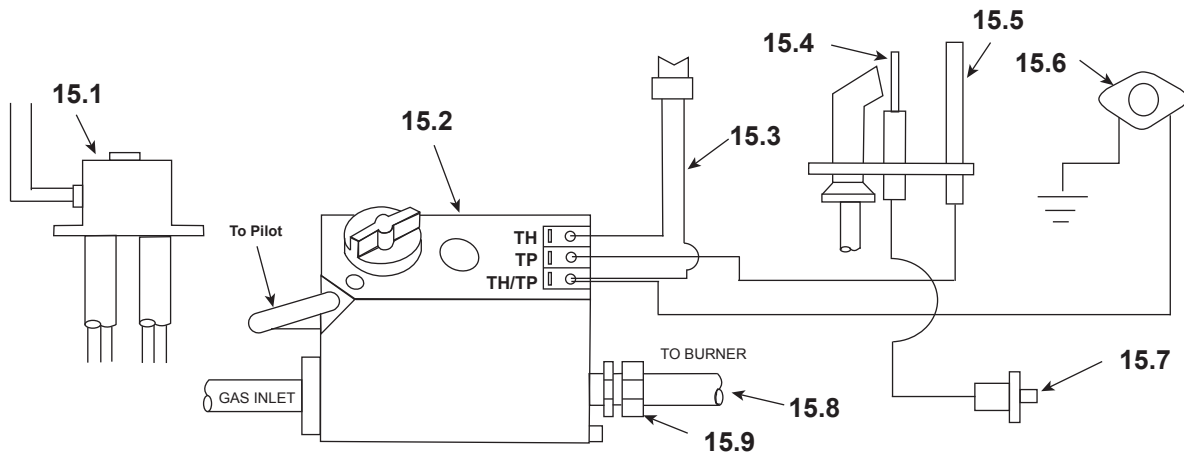
IMPORTANT: THIS IS DATED INFORMATION. Parts must be ordered from a dealer or distributor. **Hearth and Home Technologies does not sell directly to consumers.** Provide model number and serial number when requesting service parts from your dealer or distributor.



**Stocked at Depot**

ITEM	DESCRIPTION	COMMENTS	PART NUMBER	
	Log Assembly	No longer available	16213A	
1	Front Log	No longer available	14069C	
2	Back Log	No longer available	13422B	
3	Top Log	No longer available	14070F	
4	Grate Assembly	No longer available	15322	
5	Top Standoff	Qty 4 req	SRV4044-111	
6	Face, Top Front	No longer available	12620C	
	Face, Top Front	No longer available	24906B	
7	Face, Upper Front	Overlay Only	12556H	
8	Smoke Shield Assembly		15440B	
9	Firescreen Panel Assembly	Qty 3 req	12624	Y
10	Refractory, Back	Qty 2 req	16814B	
11	Ashlip, Front		12592A	
12	Refractory, Side		16757	
13	Face, Lower Front	No longer available	12564D	
14	Face, Bottom Front	No longer available	12565E	

**#15 Valve Assembly**



IMPORTANT: THIS IS DATED INFORMATION. Parts must be ordered from a dealer or distributor. **Hearth and Home Technologies does not sell directly to consumers.** Provide model number and serial number when requesting service parts from your dealer or distributor.



**Stocked at Depot**

ITEM	DESCRIPTION	COMMENTS	PART NUMBER	
15.1	Junction Box Assembly		22130	Y
15.2	Valve (Robert Shaw) - NG		060-500	Y
	Valve (Robert Shaw) - LP		SRV25810	Y
	Valve (White Rogers) - NG		SRV71492	Y
	Valve (White Rogers) - LP	No longer available	71485	
15.3	Wall Switch Wire Assembly	No longer available	14720	
15.4	Pilot Assembly w/Thermopile - NG		SRV4021-728	Y
	Pilot Assembly w/Thermopile - LP		SRV4021-729	Y
15.5	Thermopile		2103-512	Y
15.6	High Limit Switch		SRV24968	Y
15.7	Push Button Ignitor		291-513	Y
15.8	Burner Supply Tube	No longer available	15277A	
15.9	Brass Connector - 90 degree		SRV4021-045	
	Orifice, Burner - NG (.096)		SRV13844	Y
	Orifice, Burner - LP (.059)		SRV13445	Y

Additional service part numbers appear on following page.

IMPORTANT: THIS IS DATED INFORMATION. Parts must be ordered from a dealer or distributor. **Hearth and Home Technologies does not sell directly to consumers.** Provide model number and serial number when requesting service parts from your dealer or distributor.



Stocked  
at Depot

ITEM	DESCRIPTION	COMMENTS	PART NUMBER	
	Ashlip, End		12593A	
	Brass Elbow (at orifice)	No longer available	13908B	
	Burner Tube Bracket	No longer available	14086D	
	Burner Tube, Main	No longer available	15269D	Y
	Connector, Brass Flex Male	Pkg of 5	303-315/5	Y
	Connector, Brass Male		13425	
	Control Access Panel	No longer available	15079B	
	Face, Lower End	No longer available	12560C	
	Face, Top End Front	No longer available	24908A	
	Firescreen Rod	No longer available	12332A	
	Flex Line Assembly		17230B	
	Flexline 16 in.		SRV4121-006	Y
	Lava Rock		4021-296	
	Nailing Flange	Qty 4 req	31190	
	ON/OFF Valve		SRV15697	Y
	Pilot Bracket	No longer available	14082B	
	Pilot Tube Kit		26471	Y
	Plate, High Limit Switch	No longer available	14391D	
	Refractory Bracket		13328	
	Refractory Retainer Replacement Kit		34584	
	Touch-up Paint		71479	
	Valve Access	No longer available	15288B	
	Valve Bracket	No longer available	15291B	
	Conversion Kit NG	Not Available for White Rogers	CKN	Y
	Conversion Kit LP		CKP	Y
	Orifice, Pilot - NG (.021)		SRV446-505	Y
	Orifice, Pilot - LP (.0115)		SRV446-517	Y
	Installation Instructions		15226	