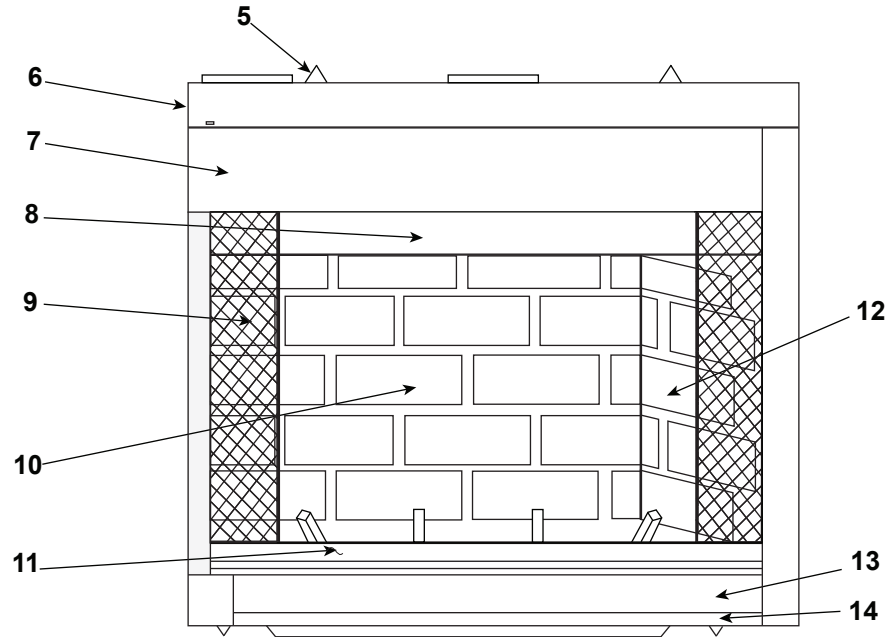
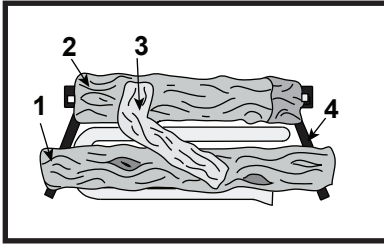


Log Set Assembly



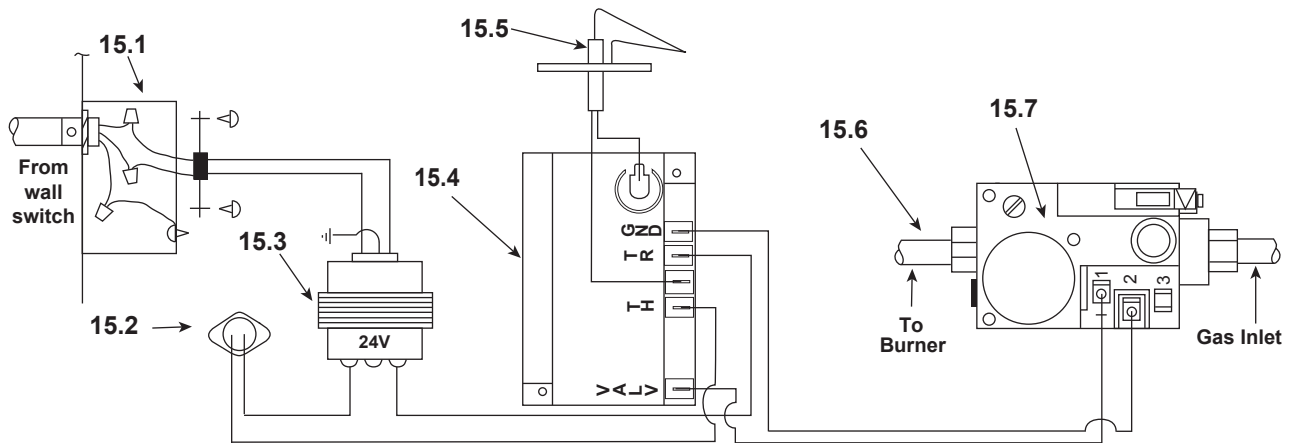
IMPORTANT: THIS IS DATED INFORMATION. Parts must be ordered from a dealer or distributor. **Hearth and Home Technologies does not sell directly to consumers.** Provide model number and serial number when requesting service parts from your dealer or distributor.



Stocked at Depot

ITEM	DESCRIPTION	COMMENTS	PART NUMBER	
	Log Assembly	No longer available	16213A	
1	Front Log	No longer available	14069C	
2	Back Log	No longer available	13422B	
3	Top Log	No longer available	14070F	
4	Grate Assembly	No longer available	15322	
5	Top Standoff	Qty 4 req	SRV4044-111	
6	Face, Top Front	No longer available	12619B	
	Face, Top Front	No longer available	24907B	
7	Face, Upper Front	No longer available	12555G	
8	Smoke Shield Assembly	No longer available	15439A	
9	Firescreen Panel Assembly	Qty 3 req	12624	Y
10	Refractory, Back	Qty2 req	16814B	
11	Ashlip, Front		12592A	
12	Refractory, Side		16757	
13	Face, Lower Front	No longer available	12563C	
14	Face, Bottom Front	No longer available	12565E	

#15 Valve Assembly



IMPORTANT: THIS IS DATED INFORMATION. Parts must be ordered from a dealer or distributor. **Hearth and Home Technologies does not sell directly to consumers.** Provide model number and serial number when requesting service parts from your dealer or distributor.



Stocked at Depot

ITEM	DESCRIPTION	COMMENTS	PART NUMBER	
15.1	Junction Box Assembly		22130	Y
15.2	High Limit Switch		SRV4021-383	Y
15.3	Transformer		SRV20947	Y
15.4	Ignition Control Box (direct spark)		SRV15695	Y
	Ignition Control Box (intermittent pilot)	No longer available	13886B	
15.5	Ignitor	Post March 1997	26541	Y
15.6	Burner Supply Tube	No longer available	18617A	
15.7	Valve (intermittent pilot) - NG	No longer available	13885A	
	Valve (intermittent pilot) - LP	No longer available	14161B	
	Valve (Robert Shaw) - NG	No longer available	71516	
	Valve (Robert Shaw) - LP	No longer available	71518	
	Valve (White Rogers)		SRV71511	Y
	Orifice, Burner - NG (.096)		SRV13844	Y
	Orifice, Burner - LP (.059)		SRV13445	Y

Additional service part numbers appear on following page.

