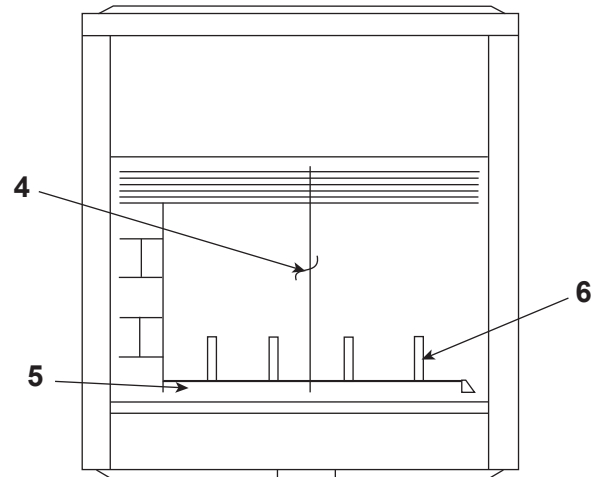
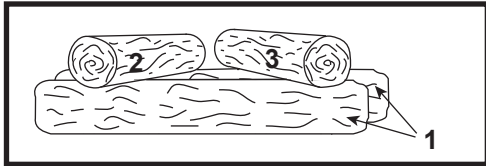


Log Set Assembly



IMPORTANT: THIS IS DATED INFORMATION. Parts must be ordered from a dealer or distributor. **Hearth and Home Technologies does not sell directly to consumers.** Provide model number and serial number when requesting service parts from your dealer or distributor.

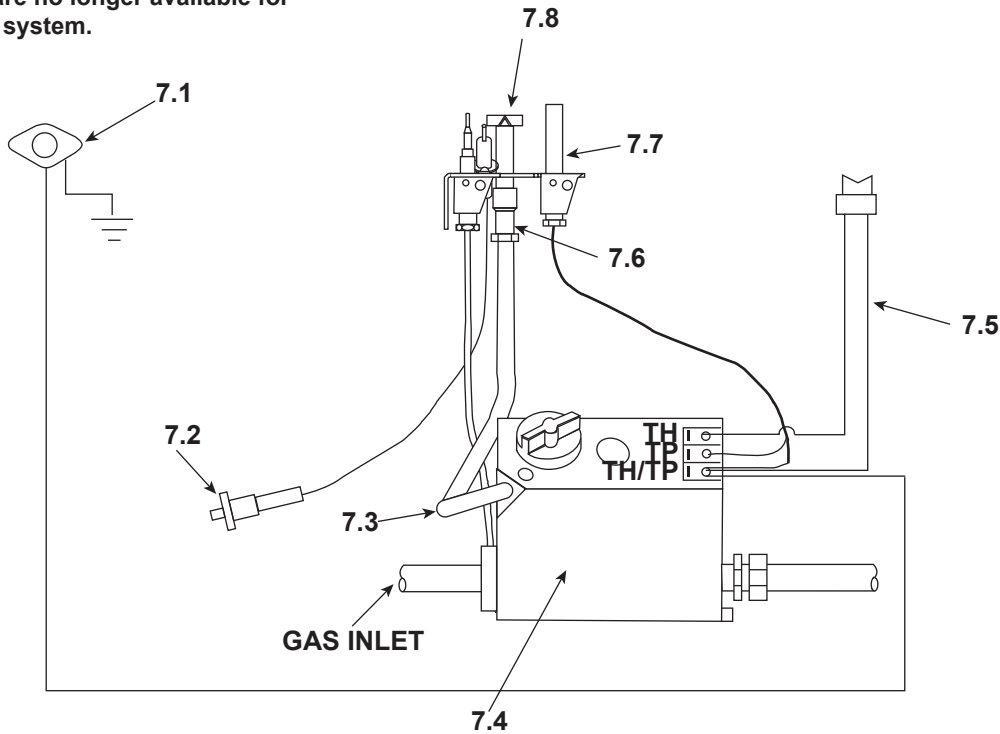


Stocked at Depot

ITEM	DESCRIPTION	COMMENTS	PART NUMBER
	Log Assembly #1	No longer available	16017
1	Front Log	No longer available	13421B
2	Left Log	No longer available	13424B
	Log Assembly #2	No longer available	16018B
1	Front Log	No longer available	13421B
3	Right Log	No longer available	13423B
4	Door Assembly, Left	No longer available	15408A
	Door Assembly, Right	No longer available	15407
5	Ashlip, Front	Qty 2 req.	13214A
6	Grate Assembly	No longer available	14386B
	Burner Assembly	No longer available	13407A
	Door Track Support (ends)	Qty 2 req.	12757
	Door Track, Lower	Qty 4 req	SRV15425
	Door Track, Upper	No longer available	15500A
	Face, Back Lower - Overlay only	No longer available	16639C
	Face, Front Bottom - Overlay only	No longer available	12337H
	Face, Front Lower - Overlay only	No longer available	12847B
	Face, Top Front - Overlay only	No longer available	13253G
	Face, Upper Front - Overlay only	No longer available	13232D
	Glass Door Kit	No longer available	15931B
	Glass Panel	No longer available	13714B
	Outside Air Kit	No longer available	13330
	Refractory, Back	Qty 2 req.	13319
	Refractory, Side	Qty 4 req	13320A
	Vent Cover	No longer available	14382B
	Installation Instructions		14419

#7 Valve Assembly

Showing diagram for Post 36/92 system.
Pre 36/92 system was intermittent direct spark, parts are no longer available for the Pre 36/92 system.



IMPORTANT: THIS IS DATED INFORMATION. Parts must be ordered from a dealer or distributor. **Hearth and Home Technologies does not sell directly to consumers.** Provide model number and serial number when requesting service parts from your dealer or distributor.



Stocked at Depot

ITEM	DESCRIPTION	COMMENTS	PART NUMBER	
7.1	High Limit Switch		SRV24968	Y
7.2	Push Button Ignitor		291-513	Y
7.3	Pilot Tube Kit		SRV446-301	Y
7.4	Valve, R/S - NG		060-500	Y
	Valve, R/S - LP		SRV25810	Y
	Valve, W/R - NG		SRV71492	Y
	Valve, W/R - LP	No longer available	71485	
7.5	Wall Switch Wires	No longer available	14720	
7.6	Pilot Orifice (.021) - NG		SRV446-505	Y
	Pilot Orifice (.0115) - LP		SRV446-517	Y
7.7	Thermopile		2103-512	Y
7.8	Pilot Assembly - NG		SRV4021-728	Y
	Pilot Assembly - LP		SRV4021-729	Y
	Burner Orifice (.101) - NG		SRV13410	Y
	Burner Orifice (.059) - LP		SRV13445	Y
	Burner Tube	No longer available	16129B	