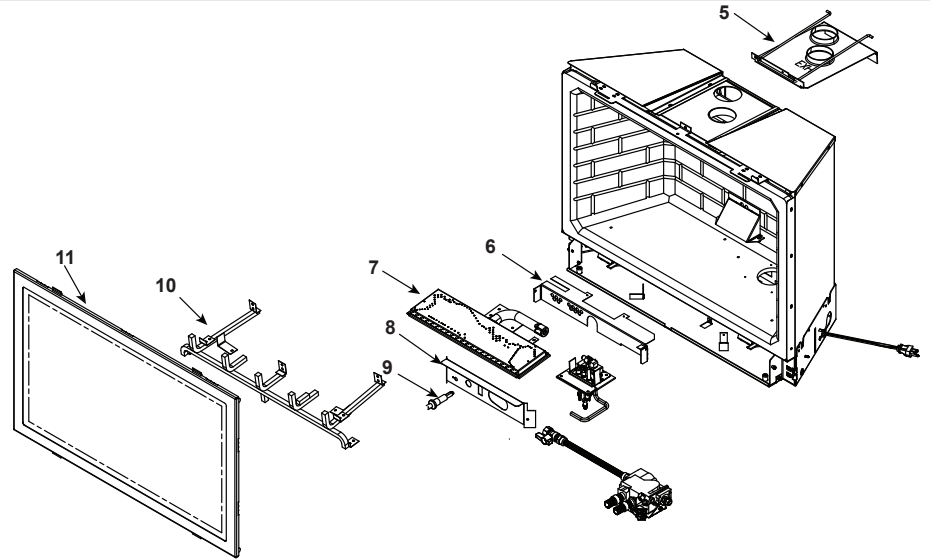
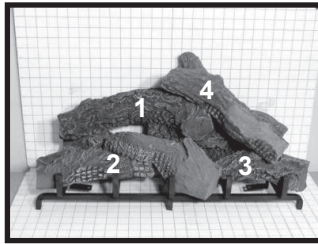


### Log Set Assembly



IMPORTANT: THIS IS DATED INFORMATION. Parts must be ordered from a dealer or distributor. **Hearth and Home Technologies does not sell directly to consumers.** Provide model number and serial number when requesting service parts from your dealer or distributor.



**Stocked at Depot**

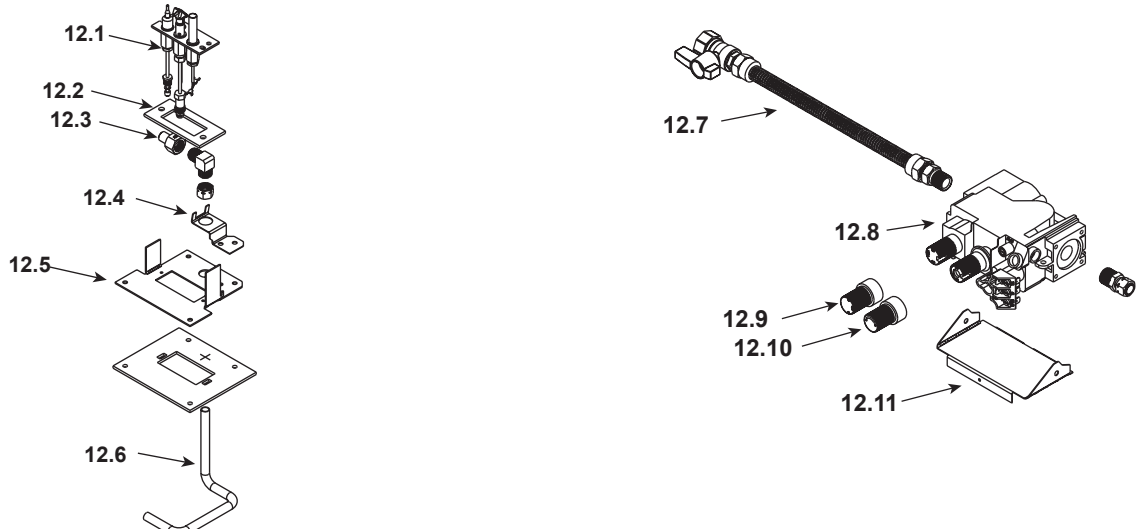
ITEM	DESCRIPTION	COMMENTS	PART NUMBER	
	Log Set Assembly		LOGS-CFXGB	Y
1	Log 1	<b>No longer available, Must order complete assembly</b>	SRV768-701	
2	Log 2		SRV768-704	
3	Log 3		SRV768-705	
4	Log 4		SRV582-705	
5	Slide Plate Assembly	<b>No longer available</b>	783-108A	
	Slide Plate Handle		2019-201	
6	Baffle Assembly	<b>No longer available</b>	2020-046	
7	Burner		768-188A	Y
8	Control Panel, Valve Cover Plate	<b>No longer available</b>	783-125	
9	Piezo Ignitor		291-513	Y
10	Log Set Assembly	<b>No longer available</b>	768-360A	
		Pre Jan 2009	LOGS-CFXGB	
	Log Grate	<b>No longer available</b>	768-360A	
11	Glass Door Assembly		GLA-FBG	
	Fiber Patch Kit		PATCHKIT-FB	
	Decorative Front	<b>No longer available</b>	DF-FBG	
	Gasket Assembly	<b>No longer available</b>	778-430A	
	Includes: Pilot Gasket, Air Passage Gasket, and Pilot Bracket Gasket			
	Glass Latch Support Assembly	Pkg of 2	386-122A/2	Y
	Junction Box	<b>No longer available</b>	040-250A	
	Mineral Wool		050-721	
	Vent Pipe Assembly		768-380A	
	Vermiculite Embers		MYSTIC-EMBERS	
	Wire Assembly		SRV2020-069	Y

Additional service part numbers on following page.

No one builds a better fire

Beginning Manufacturing Date: Oct 2007  
Ending Manufacturing Date: Sept 2010

### #12 Valve Assembly



IMPORTANT: THIS IS DATED INFORMATION. Parts must be ordered from a dealer or distributor. **Hearth and Home Technologies does not sell directly to consumers.** Provide model number and serial number when requesting service parts from your dealer or distributor.



**Stocked at Depot**

ITEM	DESCRIPTION	COMMENTS	PART NUMBER	
12.1	Pilot Assembly NG		2103-010	Y
	Pilot Assembly LP		2103-011	Y
	Pilot Tube		SRV485-301	Y
	Thermocouple		2103-511	Y
	Thermopile		2103-512	Y
12.2	Pilot Gasket	No longer available	SRV768-432	
12.3	Burner Orifice NG (.125A)	No longer available	768-801	
	Burner Orifice LP (#50A)		446-801	Y
12.4	Bracket: Orifice	No longer available	778-169	
12.5	Bracket: Pilot	No longer available	783-170	
12.6	Burner Tube		477-301A	Y
12.7	Flex Ball Valve Assembly		SRV302-320	Y
12.8	Valve NG		SRV230-0710	Y
	Valve LP		230-0720	Y
12.9	Flame Control Knob		571-533	Y
12.10	Pilot Control Knob		SRV37D0010	
12.11	Bracket: Valve	No longer available	773-147	
	Conversion Kit NG	No longer available	NGKS-FBG	
	Conversion Kit LP	No longer available	LPKS-FBG	
	Regulator NG		SRV230-1570	Y
	Regulator LP		SRV230-1520	Y
	Pilot Orifice NG		SRV2103-116	Y
	Pilot Orifice LP		SRV2103-117	Y