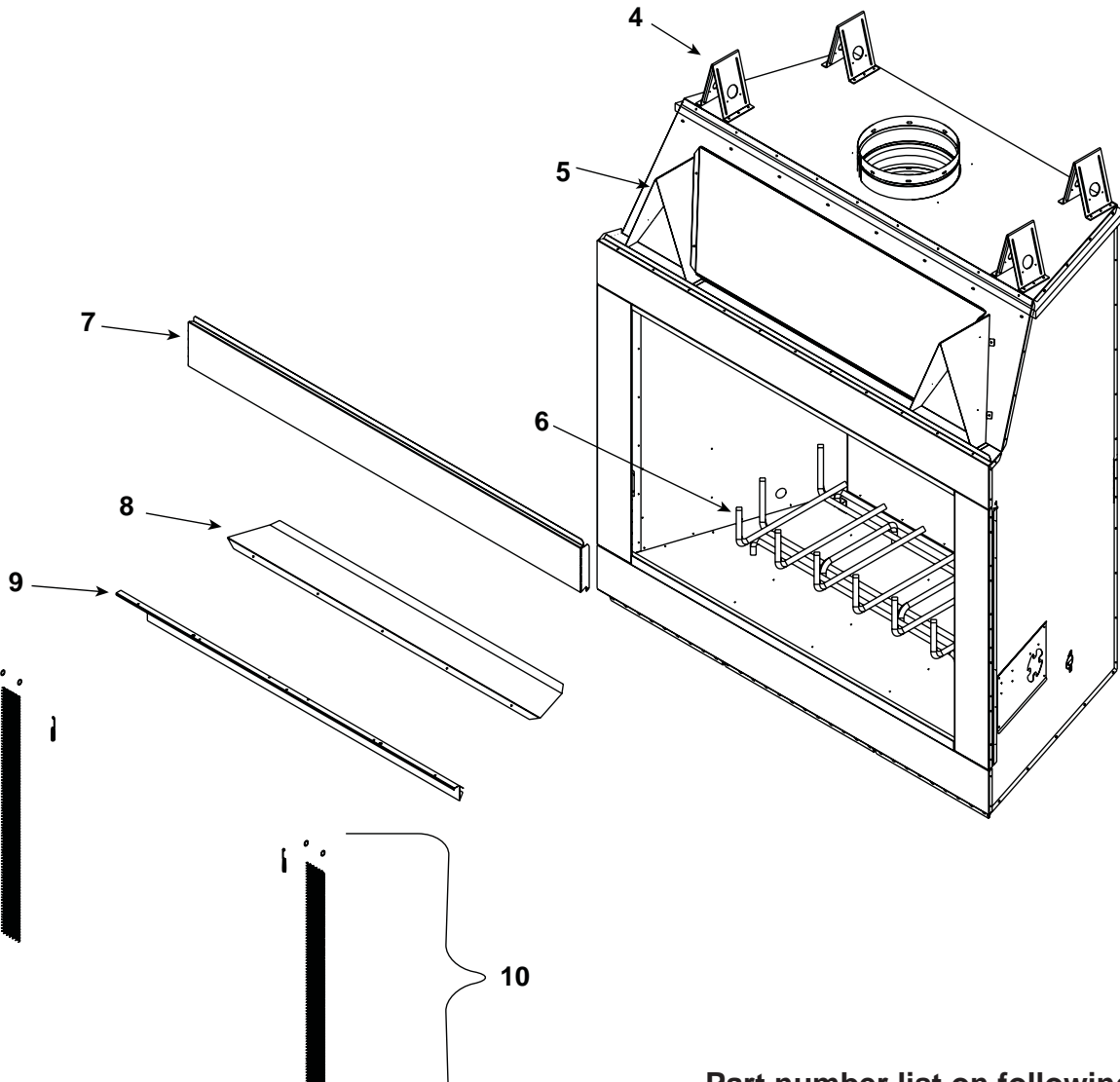
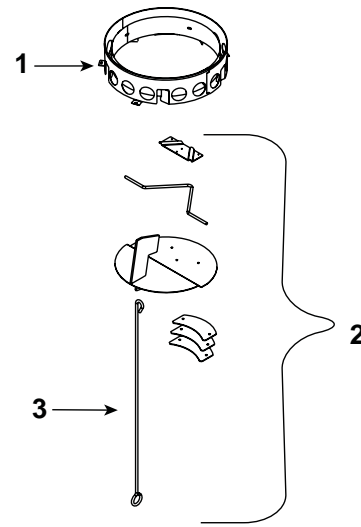
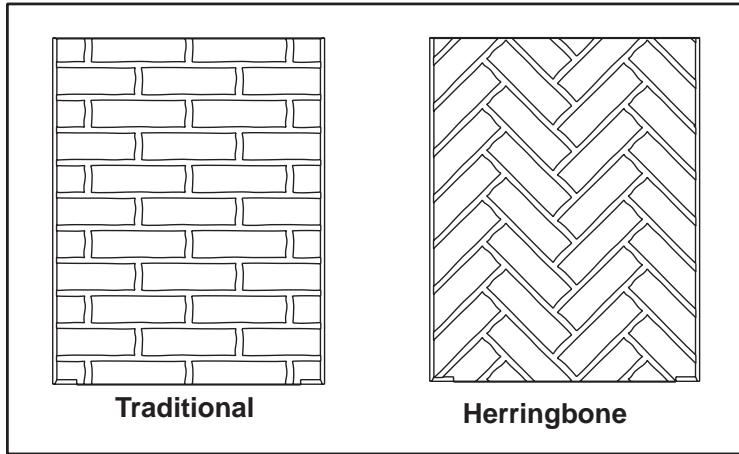


Refractories



Part number list on following page.



No one builds a better fire

Service Parts

Service Parts List
50 in. Woodburning Fireplace

EXCLAIM-50H, EXCLAIM-50T

Beginning Manufacturing Date: March 2004
Ending Manufacturing Date: Active

IMPORTANT: THIS IS DATED INFORMATION. When requesting service or replacement parts for your appliance please provide model number and serial number. All parts listed in this manual may be ordered from an authorized dealer.



Stocked at Depot

ITEM	DESCRIPTION	COMMENTS	PART NUMBER	
1	Starter Section Assembly		22072B	Y
2	Damper Blade Assembly		35160	
3	Damper Control		35159	
	Damper Weight		19785A	
4	Rear Top Standoff	Qty. 4 req.	11864i	
5	Front Top Standoff	Qty. 2 req.	34567	
6	Grate		GR39	Y
7	Upper Front		4013-208	
8	Smoke Shelf		4013-185	
9	Smoke Shield		4013-184	Y
10	Firescreen Assembly w/Rod	Qty. 2 req.	4013-183	Y
	Firescreen Rod	1 ea.	34571	
	Firescreen Assembly	1 ea.	34590	Y
	Firescreen Handle	1 ea.	4021-149	
	Heat Shield		34568	
	Nailing Flange	Qty. 6 req.	31190	
	Refractory Retainer Kit		4013-089	
	Refractory Retainer	3 ea.	11847	
	Grate Retainer	2 ea.	4017-060	
	Outside Air Kit	Qty. 2 req.	35191	
	Fastener Pack	1 ea.	12010B	
	Outside Air Shield	1 ea.	33271	Y
	4 in. Outside Air Inlet Ring	1 ea.	35192	
	Screen Cover (top only)	Qty. 2 req.	34548	
	Smoke Shield Kit		4013-188	Y
	Strip Protector	Qty. 3 req.	18320	
	Touch-Up Paint		71479	
Herringbone Refractory (EXCLAIM-50H)				
	Brick Refractory - Back		4013-068	
	Brick Refractory - Hearth		4013-063	
	Brick Refractory - Left Side		4013-070	
	Brick Refractory - Right Side		4013-069	
Traditional Refractory (EXCLAIM-50T)				
	Brick Refractory - Back		4013-064	
	Brick Refractory - Hearth		4013-063	
	Brick Refractory - Left Side		4013-066	
	Brick Refractory - Right Side		4013-065	
	Installation Instructions & Owner's Manual		4013-041	