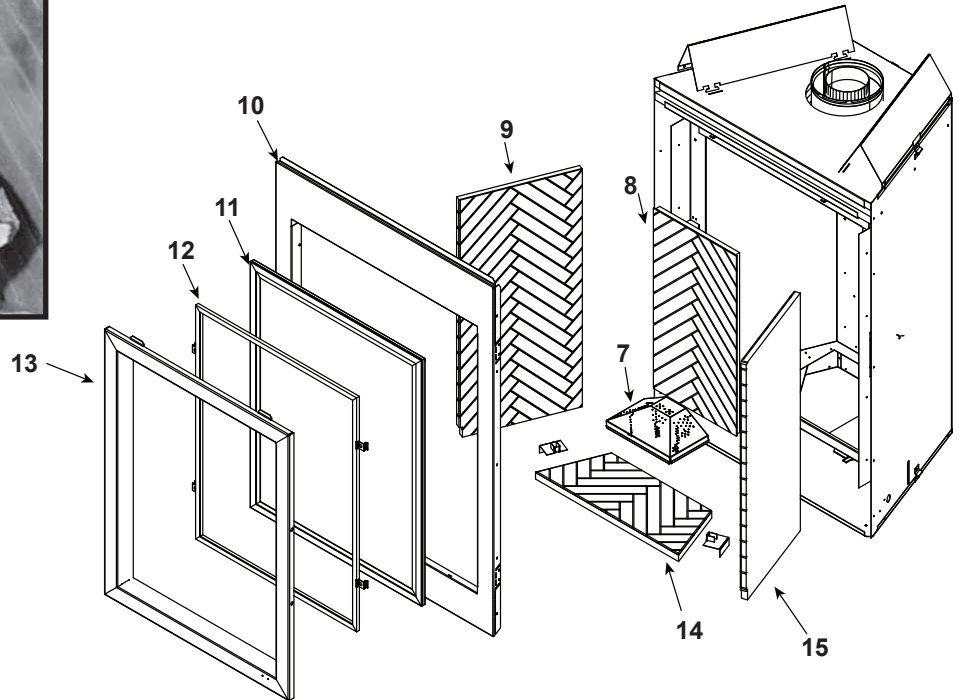
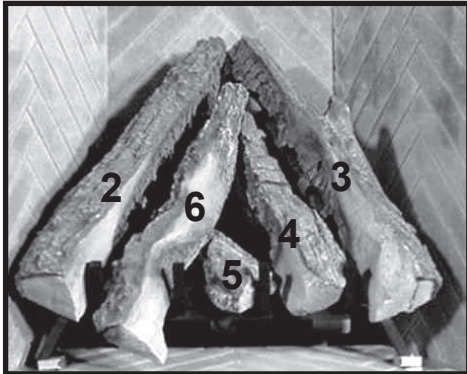


Log Set Assembly



IMPORTANT: THIS IS DATED INFORMATION. Parts must be ordered from a dealer or distributor. **Hearth and Home Technologies does not sell directly to consumers.** Provide model number and serial number when requesting service parts from your dealer or distributor.

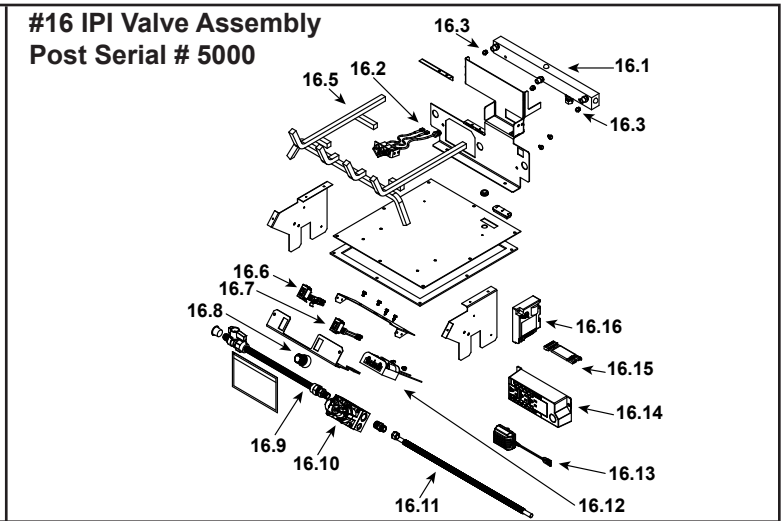
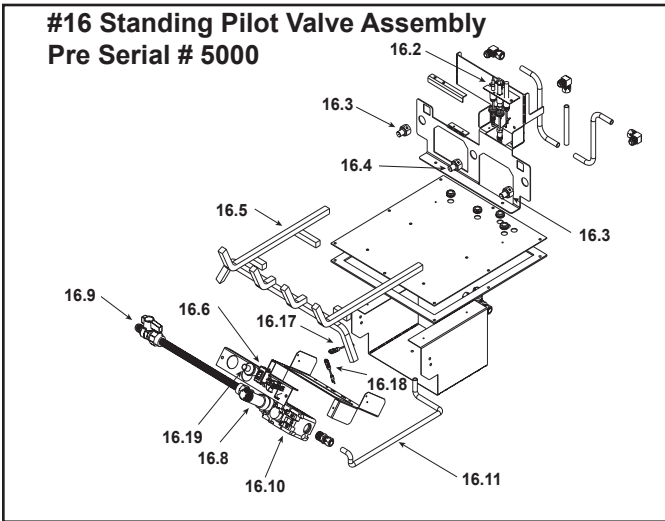


Stocked at Depot

ITEM	DESCRIPTION	COMMENTS	PART NUMBER	
	Log Set Assembly		LOGS-EVEREST	Y
1	Log 1 (Back Log Not Shown)	No longer available, Must order complete assembly	SRV750-703	
2	Log 2		SRV750-701A	
3	Log 3		SRV750-702A	
4	Log 4		SRV750-705	
5	Log 5		SRV750-706	
6	Log 6		SRV750-704	
7	Burner NG, LP		750-175A	Y
8	Refractory, Back		SRV750-732	
9	Refractory, Left Side		SRV750-730	
10	Surround	No longer available	750-130	
		No longer available	750-132	
11	Glass Door Assembly	No longer available	GLA-EVEREST	
12	Trim Door Mesh		MESH-EVERESTB	Y
13	Decorative Front		DF-EVEREST	
14	Refractory, Base		SRV750-733	
15	Refractory, Right Side		SRV750-731	

Beginning Manufacturing Date: Aug 2000
Ending Manufacturing Date: Jan 2015

No one builds a better fire



IMPORTANT: THIS IS DATED INFORMATION. Parts must be ordered from a dealer or distributor. **Hearth and Home Technologies does not sell directly to consumers.** Provide model number and serial number when requesting service parts from your dealer or distributor.



Stocked at Depot

ITEM	DESCRIPTION	(SP) Pre 5000	(IPI) Post 5000	
16.1	Manifold Assembly	N/A	No longer available 750-310A	Y
16.2	Pilot Assembly NG	4021-736	SRV593-512	Y
	Pilot Assembly LP	4021-737	SRV593-513	Y
16.3	Log Orifice NG	060-801	582-853	Y
	Log Orifice LP	750-800	No longer available 582-864	Y
16.4	Orifice NG	No longer available 062-801	SRV582-845	Y
	Orifice LP	No longer available 045-805	582-856	Y
16.5	Grate Assembly	No longer available 750-360A		
16.6	On/Off Rocker Switch	060-521A		Y
16.7	Rocker Switch Assembly	N/A	750-556A	Y
16.8	Flame Control Knob	No Longer Available 571-531	291-531	Y
16.9	Flex Ball Valve Assembly	SRV302-320		Y
16.10	Valve NG	060-522	750-500	Y
	Valve LP	060-523	750-501	Y
16.11	Flexible Gas Connector	567-301A		Y
16.12	Battery Pack	N/A	SRV593-594	Y
16.13	3 Volt Transformer	N/A	SRV593-593	Y
16.14	Junction Box	100-250A	SRV4021-013	Y
16.15	Module Wire Assembly	N/A	SRV593-590	Y
16.16	Module	N/A	SRV593-592	Y
16.17	Wire Harness	No longer available 049-552A	N/A	
16.18	Wire Harness (No longer available)	049-551A	N/A	
16.19	Piezo Ignitor	291-513	N/A	Y

Additional service part numbers appear on following page.

