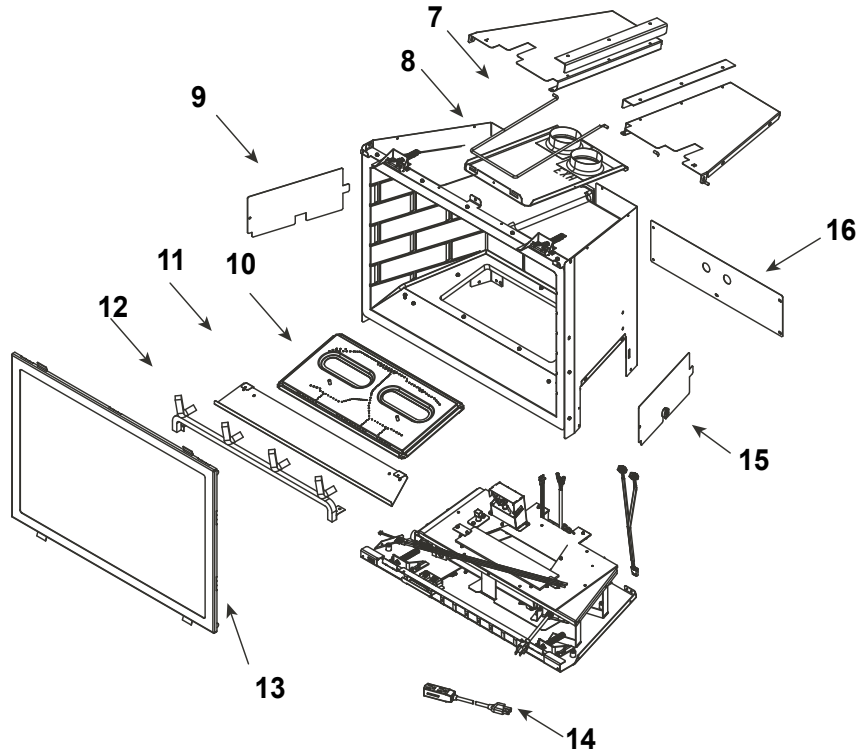
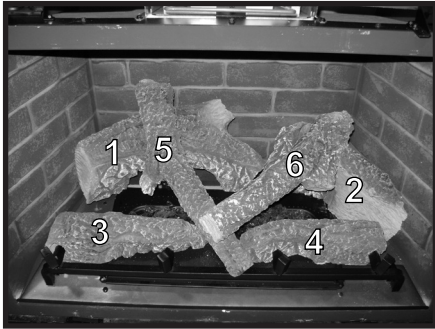


Log Set Assembly



IMPORTANT: THIS IS DATED INFORMATION. Parts must be ordered from a dealer or distributor. **Hearth and Home Technologies does not sell directly to consumers.** Provide model number and serial number when requesting service parts from your dealer or distributor.

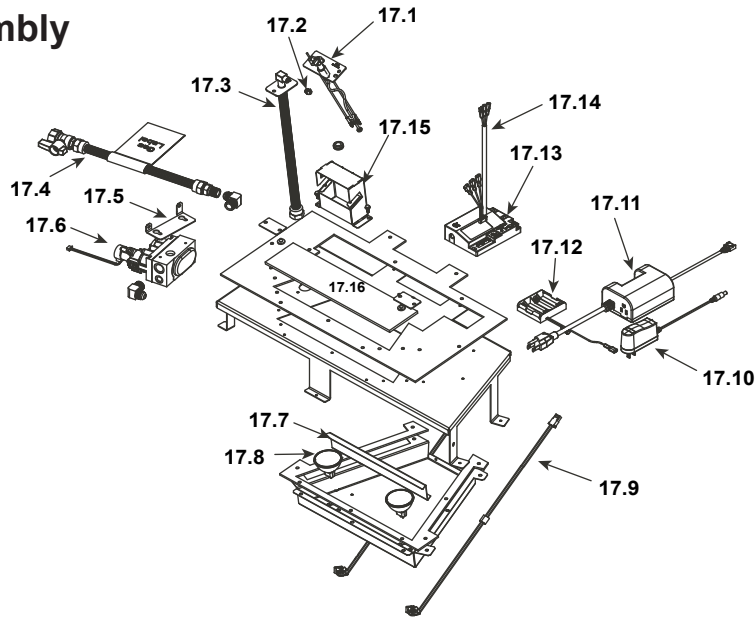


Stocked at Depot

ITEM	DESCRIPTION	COMMENTS	PART NUMBER	
	Log Assembly		LOGS-I35FB	Y
1	Log 1	No longer available, Must order complete assembly	SRV2202-702	
2	Log 2		SRV2202-701	
3	Log 3		SRV2202-704	
4	Log 4		SRV2202-703	
5	Log 5		SRV2202-705	
6	Log 6		SRV2202-706	
7	Slide Plate Handle		2019-201	
8	Termination Plate Assembly		2202-012	
	Gasket, Termination Plate		2201-401	
9	Valve Cover Plate	No longer available	2202-113	
10	Burner Assembly		2202-007	Y
11	Media Tray		2202-112	
12	Grate Assembly		SRV2202-016	
13	Glass Door Assembly		GLA-35FB	Y
14	Power Cord Assembly		2201-024	Y
15	Cover Plate, Right		2202-114	
16	Cover Plate, Back		SRV2202-104	

Additional service part numbers on following page.

#17 Valve Assembly



IMPORTANT: THIS IS DATED INFORMATION. Parts must be ordered from a dealer or distributor. **Hearth and Home Technologies does not sell directly to consumers.** Provide model number and serial number when requesting service parts from your dealer or distributor.



Stocked at Depot

ITEM	DESCRIPTION	COMMENTS	PART NUMBER	
17.1	*Pilot Assembly NG		Call Tech Service with Serial number	
	*Pilot Assembly LP			
17.2	Burner Orifice NG (#31C)		SRV582-831	Y
	Burner Orifice LP (#49C)		SRV582-849	Y
17.3	Flex Assembly		383-302A	Y
17.4	Flex Ball Valve Assembly		2201-108	Y
17.5	Valve Bracket		SRV2202-108	
17.6	Valve NG		SRV2166-302	Y
	Valve LP		2166-303	Y
17.7	Air Passage Divider		2202-144	
17.8	Ember Bulb	Qty 2 Req	2201-150	Y
17.9	Light Wire Assembly		2201-011	Y
17.10	Power Supply		SRV2326-131	Y
17.11	Auxiliary Box		SRV2166-335	Y
	AUX Extension Wire		2201-155	Y
17.12	Battery Pack**		SRV2166-323	Y
17.13	Module		2166-347	Y
17.14	Wire Assembly		2201-304	Y
17.15	*Pilot Bracket	Call Tech Service with Serial number		
17.16	Ember Glass		2201-115	Y

**Fuse for battery pack can be sourced locally, not a warranty item. Specs are 250v, 1A fuse, 3/4" long

*Call Tech Service with serial number for correct conversion and/or possible upgrade pilot kit

Additional service part numbers on following page.

