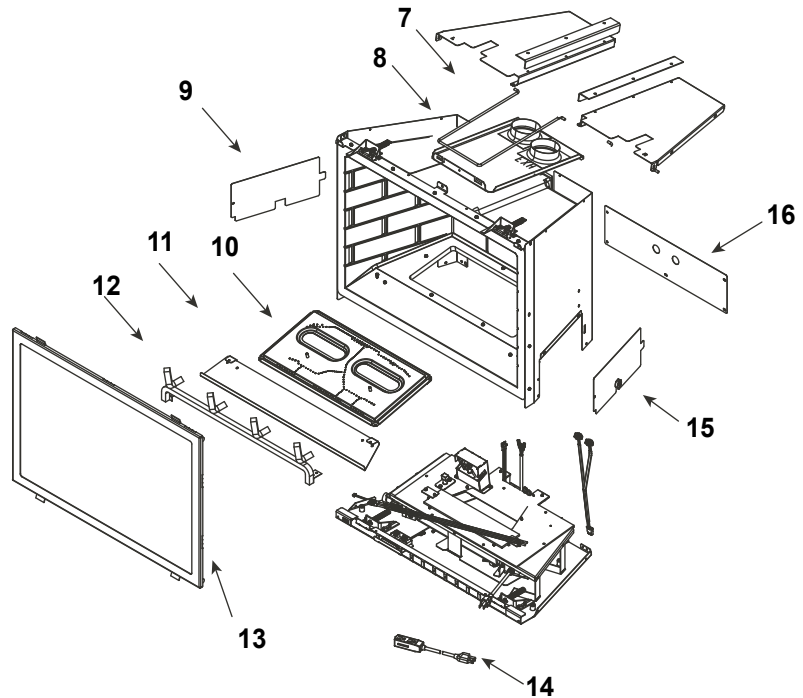
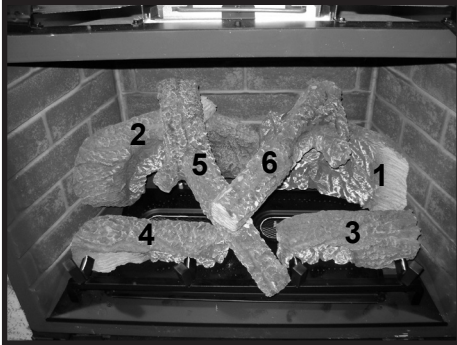


## Log Set Assembly



IMPORTANT: THIS IS DATED INFORMATION. Parts must be ordered from a dealer or distributor. **Hearth and Home Technologies does not sell directly to consumers.** Provide model number and serial number when requesting service parts from your dealer or distributor.



**Stocked at Depot**

ITEM	DESCRIPTION	COMMENTS	PART NUMBER	
	Log Assembly		LOGS-I30FB	Y
1	Log 1	<b>No longer available, Must order complete assembly</b>	SRV2201-701	
2	Log 2		SRV2201-702	
3	Log 3		SRV2201-705	
4	Log 4		SRV2201-704	
5	Log 5		SRV2201-703	
6	Log 6		SRV2201-706	
7	Slide Plate Handle		2019-201	
8	Termination Plate Assembly		2201-012	
	Gasket, Termination Plate		2201-401	
9	Valve Cover Plate	<b>No longer available</b>	2202-113	
10	Burner Assembly		2201-007	Y
11	Media Tray		2201-112	
12	Grate Assembly		SRV2201-016	
13	Glass Door Assembly		GLA-30FB	Y
14	Power Cord Assembly		2201-024	Y
15	Cover Plate, Right		2202-114	
16	Cover Plate, Back		SRV2202-104	

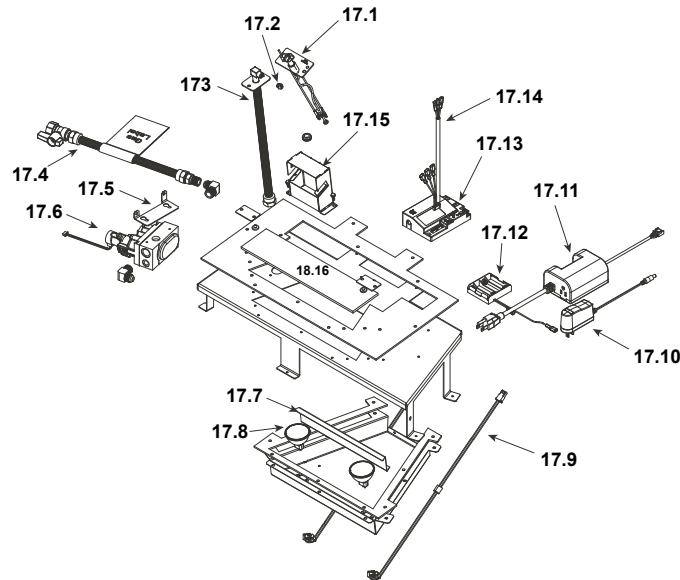
Additional service part numbers on following page.

No one builds a better fire

Beginning Manufacturing Date: June 2010

Ending Manufacturing Date: Nov 2011

### #17 Valve Assembly



**IMPORTANT: THIS IS DATED INFORMATION.** Parts must be ordered from a dealer or distributor. **Hearth and Home Technologies does not sell directly to consumers.** Provide model number and serial number when requesting service parts from your dealer or distributor.



**Stocked at Depot**

ITEM	DESCRIPTION	COMMENTS	PART NUMBER	
17.1	*Pilot Assembly NG		Call Tech Service with Serial number	
	*Pilot Assembly LP			
17.2	Burner Orifice NG (#33C)		582-833	Y
	Burner Orifice LP (#50C)		582-850	Y
17.3	Flex Assembly		383-302A	Y
17.4	Flex Ball Valve Assembly		2201-108	Y
17.5	Valve Bracket		SRV2202-108	
17.6	Valve NG		SRV2166-302	Y
	Valve LP		2166-303	Y
17.7	Air Passage Divider		2201-144	
17.8	Ember Bulb	Qty 2 req	2201-150	Y
17.9	Light Wire Assembly		2201-011	Y
17.10	Power Supply		SRV2326-131	Y
17.11	Auxiliary Box		SRV2166-335	Y
	AUX Extension Wire		2201-155	Y
17.12	Battery Pack		SRV2166-323	Y
17.13	Module		2166-347	Y
17.14	Wire Assembly		2201-304	Y
17.15	*Pilot Bracket	Call Tech Service with Serial number		
17.16	Ember Glass		2201-115	Y

\*\*Fuse for battery pack can be sourced locally, not a warranty item. Specs are 250v, 1A fuse, 3/4" long

\*Call Tech Service with serial number for correct conversion and/or possible upgrade pilot kit

Additional service part numbers on following page.

