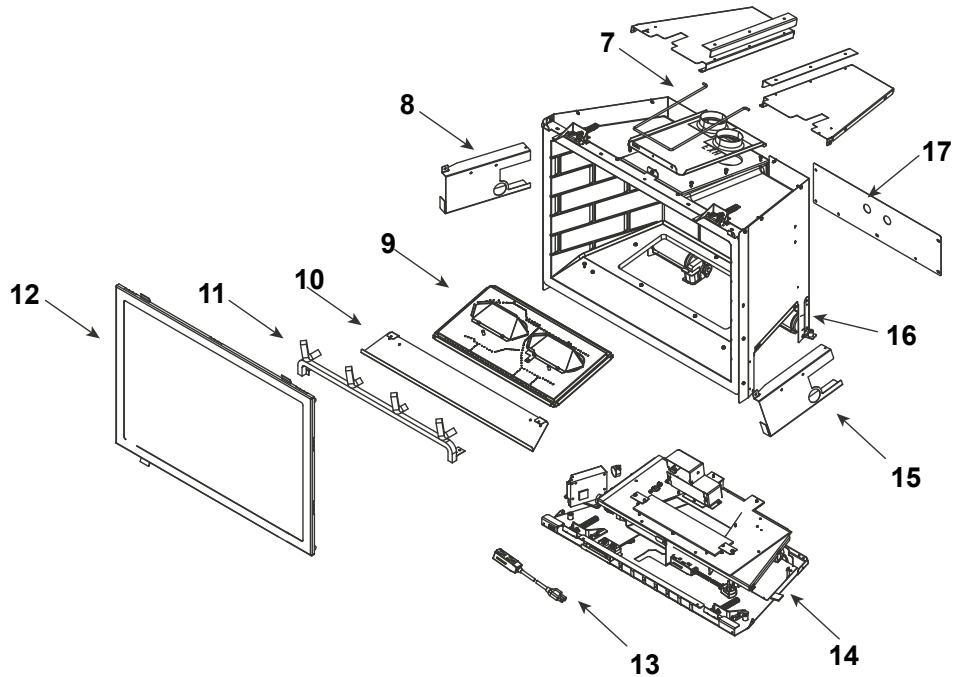


Log Set Assembly



IMPORTANT: THIS IS DATED INFORMATION. Parts must be ordered from a dealer or distributor. **Hearth and Home Technologies does not sell directly to consumers.** Provide model number and serial number when requesting service parts from your dealer or distributor.



Stocked at Depot

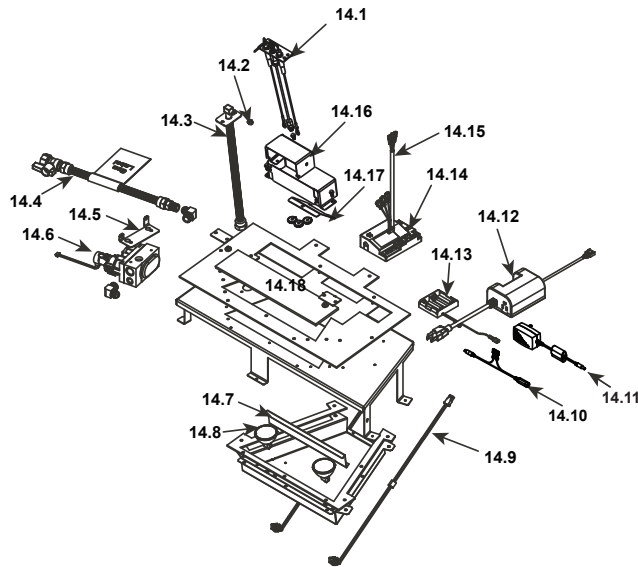
ITEM	DESCRIPTION	COMMENTS	PART NUMBER	
	Log Assembly		LOGS-I30FB	Y
1	Log 1	No longer available, Must order complete assembly	SRV2201-702	
2	Log 2		SRV2201-701	
3	Log 3		SRV2201-704	
4	Log 4		SRV2201-705	
5	Log 5		SRV2201-703	
6	Log 6		SRV2201-706	
7	Termination Plate Assembly		2201-012	
	Gasket, Termination Plate		2201-401	
	Slide Plate Handle		2019-201	
8	Module Bracket		SRV2201-137	
9	Burner Assembly		SRV2201-009	Y
10	Media Tray		2201-112	
11	Grate Assembly		SRV2201-016	
12	Glass Door Assembly		GLA-30FB	Y
13	Power Cord Assembly		2201-024	Y
14	Valve Assembly		Refer to Valve Page	
15	Aux Bracket		SRV2201-157	
16	RIV-NUT Bracket Assembly		2201-027	
17	Cover Plate, Back		SRV2202-104	

Additional service part numbers on following page.

No one builds a better fire

Beginning Manufacturing Date: Aug 2011
Ending Manufacturing Date: Sept 2013

#14 Valve Assembly



IMPORTANT: THIS IS DATED INFORMATION. Parts must be ordered from a dealer or distributor. **Hearth and Home Technologies does not sell directly to consumers.** Provide model number and serial number when requesting service parts from your dealer or distributor.



Stocked
at Depot

ITEM	DESCRIPTION	COMMENTS	PART NUMBER	
14.1	Pilot Assembly NG		2202-013	Y
	Pilot Assembly LP		2202-014	Y
	3-Hole Grommet		2201-420	
14.2	Burner Orifice NG (#33C)		582-833	Y
	Burner Orifice LP (#50C)		582-850	Y
14.3	Flex Assembly		383-302A	Y
14.4	Flex Ball Valve Assembly		2201-108	Y
14.5	Valve Bracket		SRV2202-108	
14.6	Valve NG		SRV2166-302	Y
	Valve LP		2166-303	Y
14.7	Air Passage Divider		2201-144	
14.8	Ember Bulb		2201-150	Y
14.9	Light Wire Assembly		2201-011	Y
14.10	Jumper Wire, Wire Switch		SRV2179-300	Y
14.11	Transformer, 6 Volt Wall		SRV2326-131	Y
14.12	Auxiliary Box		SRV2166-335	Y
	AUX Extension Wire		2201-155	Y
14.13	Battery Pack		SRV2166-323	Y
14.14	Module		2166-347	Y
14.15	Wire Assembly		2201-304	Y
14.16	Pilot Bracket		2201-025	
14.17	Air Scoop		2201-156	
14.18	Ember Glass		2201-115	Y

**Fuse for battery pack can be sourced locally, not a warranty item. Specs are 250v, 1A fuse, 3/4" long

Additional service part numbers on following page.

