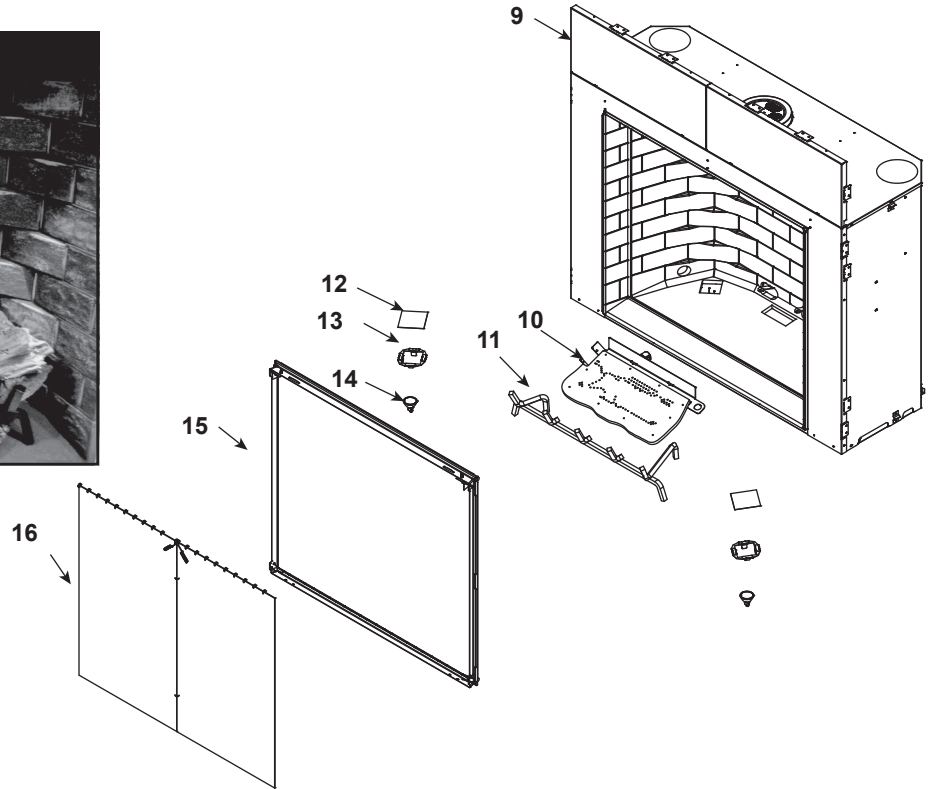


Log Set Assembly



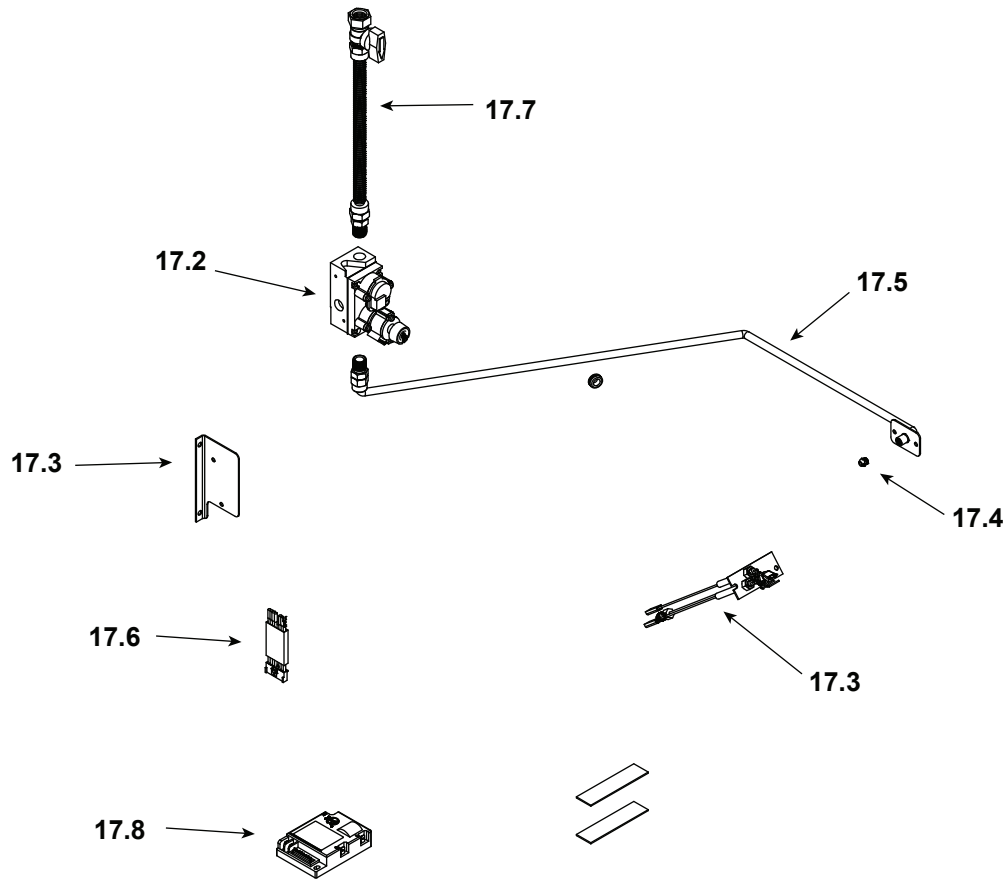
IMPORTANT: THIS IS DATED INFORMATION. Parts must be ordered from a dealer or distributor. **Hearth and Home Technologies does not sell directly to consumers.** Provide model number and serial number when requesting service parts from your dealer or distributor.



Stocked at Depot

ITEM	DESCRIPTION	COMMENTS	PART NUMBER	
	Log Set Assembly		LOGS-ESCAPE42HD	Y
1	Log 1 (Three logs) (Qty 3 req)	No longer available	SRV2012-081	
2	Log 2 (Not shown) (Qty 2 req)	No longer available	SRV2012-082	
3	Log 3	No longer available	SRV2052-083	
4	Log 4	No longer available	SRV2012-084	
5	Log 5	No longer available	SRV2012-086	
6	Log 6	No longer available	SRV2052-086	
7	Log 7	No longer available	SRV2012-087	
8	Log 8	No longer available	SRV2012-088	
9	Panel	No longer available	2052-185	
10	Burner Assembly		2052-006	Y
11	Log Grate	No longer available	SRV2052-002	
12	Kapton	No longer available	2101-252	
13	Kapton Bracket	No longer available	2052-193	
14	Ember Bulb	Qty 2 req	2088-136	Y
	For light sockets please contact Tech Services			
15	Glass Assembly	No longer available	GLA-ESCAPE-42	
16	Mesh Assembly		2146-031	Y

#17 Valve Assembly



IMPORTANT: THIS IS DATED INFORMATION. Parts must be ordered from a dealer or distributor. **Hearth and Home Technologies does not sell directly to consumers.** Provide model number and serial number when requesting service parts from your dealer or distributor.



**Stocked
at Depot**

ITEM	DESCRIPTION	COMMENTS	PART NUMBER	
17.1	Valve Bracket	No longer available	2012-106	
17.2	Valve NG		750-500	Y
	Valve LP		2155-501	Y
17.3	Pilot Assembly NG		SRV2090-012	Y
	Pilot Assembly LP		2090-013	Y
17.4	Burner Orifice NG (#26C)		582-826	Y
	Burner Orifice LP (#45C)		SRV582-845	Y
17.5	Orifice Bracket Flex Tube		2012-008	Y
17.6	Wire Assembly		SRV593-590	Y
17.7	12" Flex Ball Valve Assembly		SRV302-320	Y
17.8	Control Module		SRV593-592	Y

Additional service part numbers appear on following page.

No one builds a better fire

Beginning Manufacturing Date: March 2005

Ending Manufacturing Date: May 2012

IMPORTANT: THIS IS DATED INFORMATION. Parts must be ordered from a dealer or distributor. **Hearth and Home Technologies does not sell directly to consumers.** Provide model number and serial number when requesting service parts from your dealer or distributor.



**Stocked
at Depot**

ITEM	DESCRIPTION	COMMENTS	PART NUMBER	
	2 inch Jumper Wire		SRV2012-206	Y
	Battery Pack		SRV593-594	Y
	Fiber Patch Kit		PATCHKIT-FB	
	Paint Touch-up Kit	No longer available	TAN-KIT	
	Flue Restrictor 3" diameter	No longer available	2012-124	
	Glass Latch	No longer available	2052-022	
	Junction Box		SRV4021-013	Y
	Mesh Rod		2052-160	
	Mineral Wool		050-721	
	Non-Combustible Board (Sold as set only)	No longer available	2052-030	
	On/Off Rocker Switch		060-521A	Y
	Refractory Panels (Sold as set only)	No longer available	E42-PANEL-KIT	
	Touch Up Paint		TUP-GBK-12	
	Touch Up Paint , Logs	Black	SRV999-404	
		Brown	SRV999-403	
		Split	SRV999-472	
	Vermiculite Embers		MYSTIC-EMBERSXL	
	Wall Switch, Multi-function		WSK-MLT	
	Wire, Wall Switch		SRV2095-550	Y
	Wire Plug Assembly		2176-019	Y
	Conversion Kit NG	No longer available	NGK-ESCAPE-42DV	
	Conversion Kit LP	No longer available	LPK-ESCAPE-42DV	
	Pilot Orifice NG		SRV593-528	Y
	Pilot Orifice LP		SRV593-527	Y
	Regulator NG	Regulators are no longer applicable, must replace valve		
	Regulator LP			