

IMPORTANT: THIS IS DATED INFORMATION. When requesting service or replacement parts for your appliance please provide model number and serial number. All parts listed in this manual may be ordered from an authorized dealer.



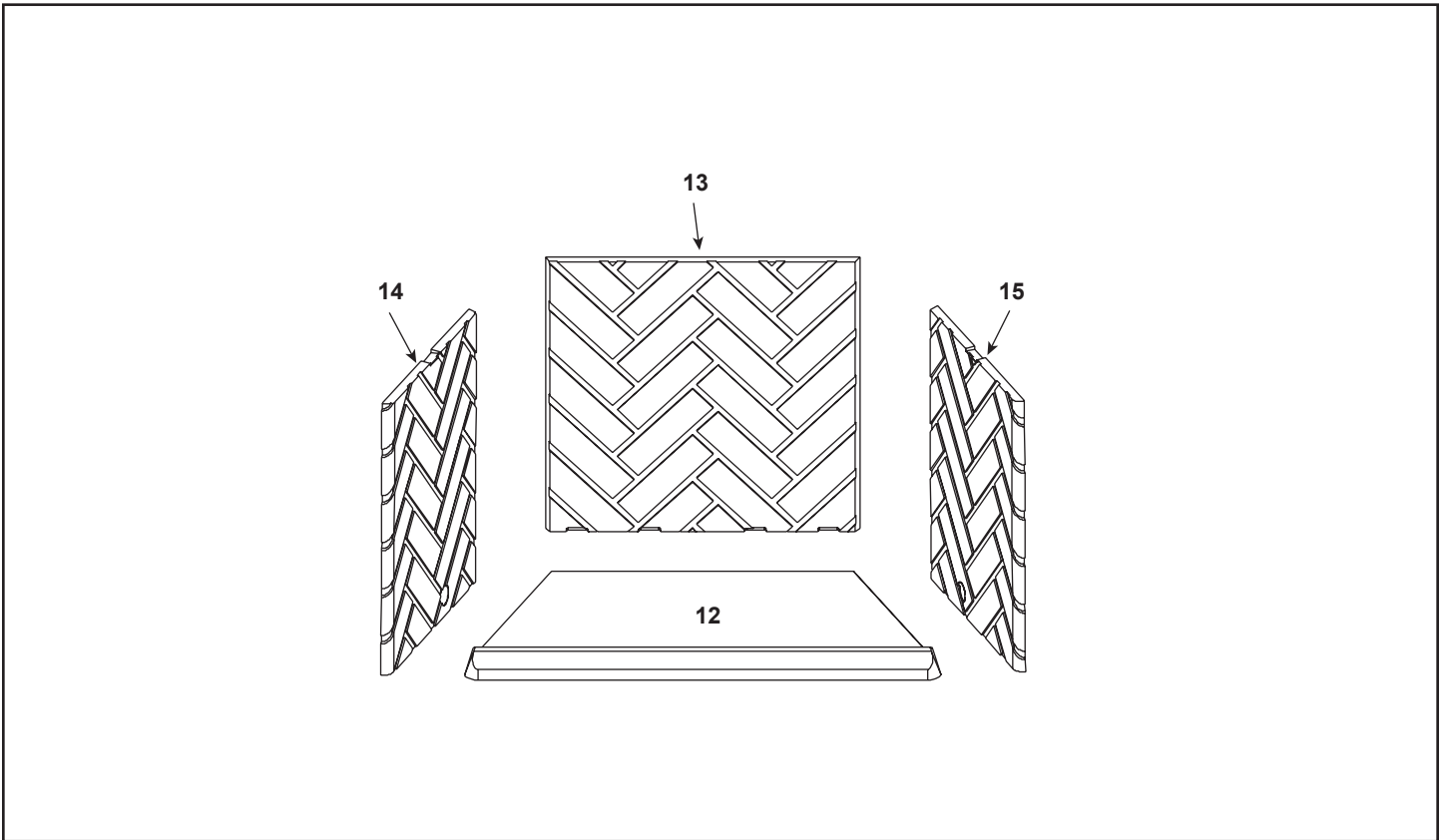
**Stocked
at Depot**

ITEM	DESCRIPTION	COMMENTS	PART NUMBER	
1	8 in. Starter Section Assembly		SRV22069	Y
2	Top Standoff	Qty 4 req	SRV4044-111	
3	Drywall Flange		28388	
4	Hood		31683	
5	Upper Grille Assembly		31697	Y
6	Smoke Shield		35221	
7	Firescreen Assembly	Qty 2 req	29246	Y
	Firescreen Ring	Pkg of 10	11857B/10	
	Firescreen Handle		4021-149	
8	Hearth Filler		30332	
9	Lower Grille Assembly		31680	
10	Grate		GR24	Y
11	Junction Box		SRV21878	Y

Additional service parts on following page.

No one builds a better fire

Beginning Manufacturing Date: Feb 2004
Ending Manufacturing Date: Jan 2007



IMPORTANT: THIS IS DATED INFORMATION. When requesting service or replacement parts for your appliance please provide model number and serial number. All parts listed in this manual may be ordered from an authorized dealer.



**Stocked
at Depot**

ITEM	DESCRIPTION	COMMENTS	PART NUMBER	
12	Brick Refractory - Hearth		4010-020	
13	Brick Refractory - Back		4010-015	
14	Brick Refractory - Left Side		4010-014	
15	Brick Refractory - Right Side		4010-013	
	Damper Repair Kit		SRV4010-001	
	Door Pivot Clip	Qty 2 req	SRV31527	
	Door Track		SRV15427	
	Firescreen Rod	Qty 2 req	SRV28404	Y
	Junction Box Cover Plate	Qty 3 req	SRV26548	Y
	Junction Box Kit		JK9	
	Nailing Flange	Qty 4 req	SRV31190	
	Refractory Retainer	Qty 3 req	SRV11847	
	Smoke Shield Extension Kit		35397	
	Strip Protector	Qty 2 req	SRV18320	
	Touch-up Paint		71479	
	Installation Manual		33056	