

IMPORTANT: THIS IS DATED INFORMATION. When requesting service or replacement parts for your appliance please provide model number and serial number. All parts listed in this manual may be ordered from an authorized dealer.



**Stocked
at Depot**

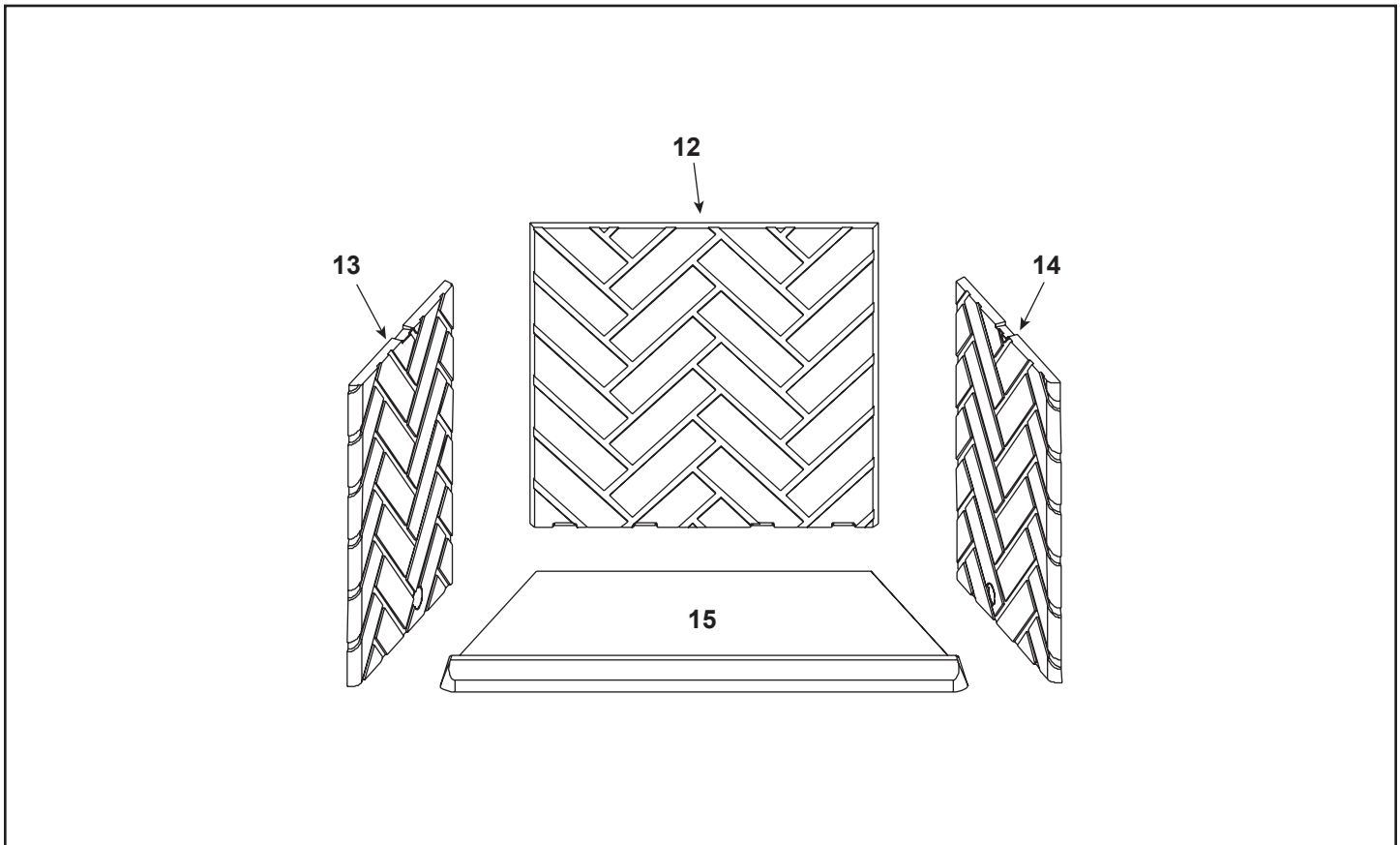
ITEM	DESCRIPTION	COMMENTS	PART NUMBER	Stocked at Depot
1	8 in. Starter Section Assembly		SRV22069	Y
2	Top Standoff	Qty 4 req	SRV4044-111	
3	Drywall Flange	No longer available	29238	
4	Hood		31682	
5	Upper Grille Assembly		31696	
6	Smoke Shield		31191	
7	Firescreen Assembly	Qty 2 req	28417	Y
	Firescreen Ring	Pkg of 10	11857B/10	
	Firescreen Handle		4021-149	
8	Hearth Filler		30331	
9	Lower Grille Assembly		31679	
10	Grate		GR23	Y
11	Junction Box		SRV21878	Y

Additional service parts on following page

No one builds a better fire

Beginning Manufacturing Date: Feb 2004

Ending Manufacturing Date: Jan 2007



IMPORTANT: THIS IS DATED INFORMATION. When requesting service or replacement parts for your appliance please provide model number and serial number. All parts listed in this manual may be ordered from an authorized dealer.



**Stocked
at Depot**

ITEM	DESCRIPTION	COMMENTS	PART NUMBER	
12	Herringbone Brick Refractory - Back		4010-016	
13	Herringbone Brick Refractory - Left Side		4010-014	
14	Herringbone Brick Refractory - Right Side		4010-013	
15	Herringbone Brick Refractory - Hearth		4010-019	
	Damper Repair Kit		SRV4010-001	
	Door Pivot Clip	Qty 2 req	SRV31527	
	Door Track		SRV15425	
	Firescreen Rod	Qty 2 req	SRV12052	Y
	Junction Box Cover Plate	Qty 3 req	SRV26548	
	Junction Box Kit		JK9	Y
	Nailing Flange	Qty 4 req	SRV31190	
	Refractory Retainer	Qty 3 req	SRV11847	
	Smoke Diverter		30559	
	Strip Protector	Qty 2 req	SRV18320	
	Touch-up Paint		71479	
	Installation Manual		31317	