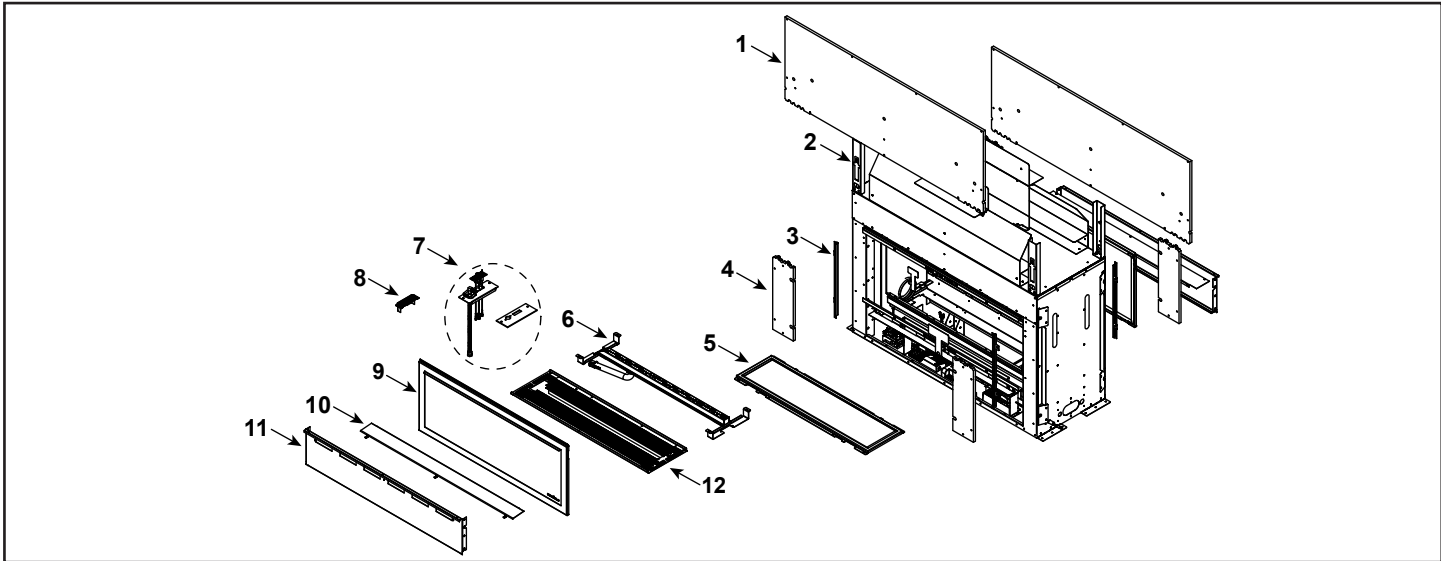




Echelon 36" See Through Gas Fireplace - DV



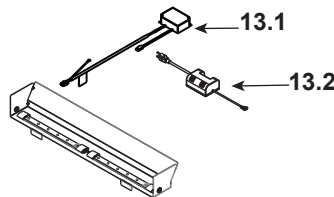
IMPORTANT: THIS IS DATED INFORMATION. Parts must be ordered from a dealer or distributor. **Hearth and Home Technologies does not sell directly to consumers.** Provide model number and serial number when requesting service parts from your dealer or distributor.



Stocked at Depot

ITEM	DESCRIPTION	COMMENTS	PART NUMBER	
1	Non-combustible Board, Top	Qty 2 req	SRV2312-460	
2	Standoff, Top	Qty 4 req	2604-283	
3	Side Trim	Qty 4 req	2300-281	
4	Non-combustible Board, Side	Qty 4 req	2300-461	
5	Bottom glass		2312-018	
6	Burner		2406-007	Y
7	Pilot Assembly		See Following Page	
8	Shield, Pilot		2406-196	
9	Glass Assembly	Qty 2 req	GLA-36-MAJ	
10	Shield., Bottom Glass w/vent		2312-179	
	Shield., Bottom Glass		2313-179	
11	Panel, Bottom w/vent		2312-147	
	Panel, Bottom		2313-147	
12	Rock Tray		2407-059	

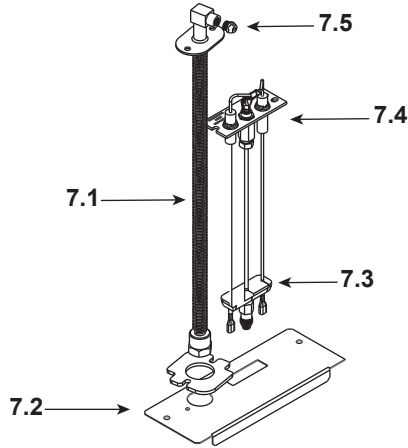
#13 LED Light Assembly



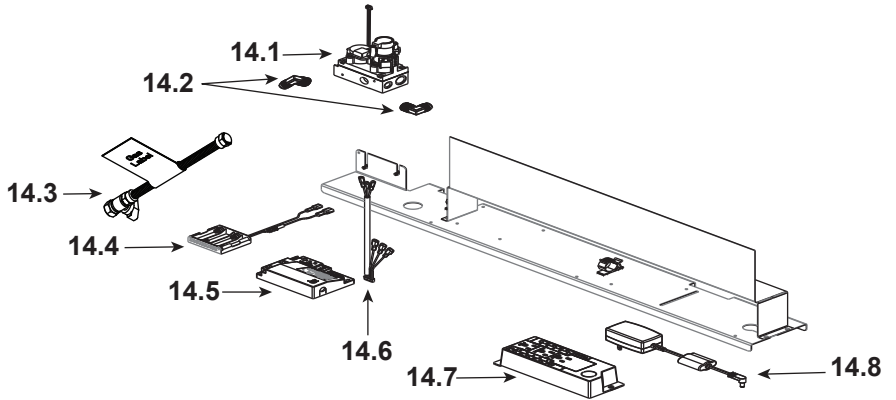
13	LED Light Assembly		ALK-36	
13.1	LED 12V Power Supply		2326-114	Y
13.2	AUX RC300		SRV2166-335	Y



#7 Pilot Assembly



#14 Valve Assembly



IMPORTANT: THIS IS DATED INFORMATION. Parts must be ordered from a dealer or distributor. **Hearth and Home Technologies does not sell directly to consumers.** Provide model number and serial number when requesting service parts from your dealer or distributor.



Stocked at Depot

ITEM	DESCRIPTION	COMMENTS	PART NUMBER	
7.1	Bulkhead W/Flex tube		2166-119	Y
7.2	Plate Flex and Pilot		2300-163	
7.3	3-Hole Grommet		SRV2118-420	
7.4	Pilot Assembly, NG		2406-012	Y
7.5	Orifice, NG #36C		582-836	Y
	Orifice, Propane #52C		SRV582-852	Y
14.1	Valve, NG		SRV2166-302	Y
	Valve, Propane		2166-303	Y
14.2	Elbow	Qty 2 req	SRV4021-045	
14.3	Flex Ball Valve Assembly		302-323	Y
14.4	Battery Pack**		SRV2166-323	Y
14.5	Module		2166-347	Y
14.6	Wire Harness		2166-304	Y
14.7	Junction Box		SRV4021-013	Y
14.8	DC Regulator		SRV2326-131	Y

**Fuse for battery pack can be sourced locally, not a warranty item. Specs are 250v, 1A fuse, 3/4" long

Additional service part numbers on following page.



Service Parts

ECHEL36STIN

Beginning Manufacturing Date: Nov 2016
Ending Manufacturing Date: Aug 2019

IMPORTANT: THIS IS DATED INFORMATION. Parts must be ordered from a dealer or distributor. **Hearth and Home Technologies does not sell directly to consumers.** Provide model number and serial number when requesting service parts from your dealer or distributor.



Stocked at Depot

ITEM	DESCRIPTION	COMMENTS	PART NUMBER	Stocked at Depot
	Cable, Linear		2300-754	
	Clean Face Front	Black	CFT-36-BK-C	
	Flue Restrictor		385-128	
	Fiber Glass Rope		060-455	
	Gasket Assembly Contains:Vent, Burner Neck, Seal Cap, Air Passage, Drawn Air Passage, and Flex and Pilot		2300-080	
	Glass Latch Assembly	Qty 4 req	2146-413	Y
	Log Assembly (Optional)		LOGS-DRTWOOD-36	
	Light Kit, Ambient		ALK-36	
	Black Glass Kit (Includes Manual Bag Assembly for kit and Refractory Assembly, Optional)		BGK-LINEARST	
	Remote RC300-MAJ		2397-330	Y
	Touch Up Paint		TUP-GBK-12	
	Vinyl Siding Shield		TRAP-VSS	
Media Options				
	Media Kit, Bronze	3 Bags Max	GLASS-BZ	
	Media Kit, Onyx	3 Bags Max	GLASS-OY	
	Media Kit, Sapphire	3 Bags Max	GLASS-SP	
	Media Kit, Diamond	3 Bags Max	GLASS-DM	
	Stones	2 Bags Max	STONES-NATURAL	
Conversion Kits				
	Conversion Kit NG		N/A	
	Conversion Kit Propane		LPK-ECHL36	Y
	Pilot Orifice, NG		SRV593-528	Y
	Pilot Orifice, Propane		SRV593-527	Y
	Regulator, NG		NGK-DXV-50	Y
	Regulator, Propane		SRVLPK-DXV-50	Y