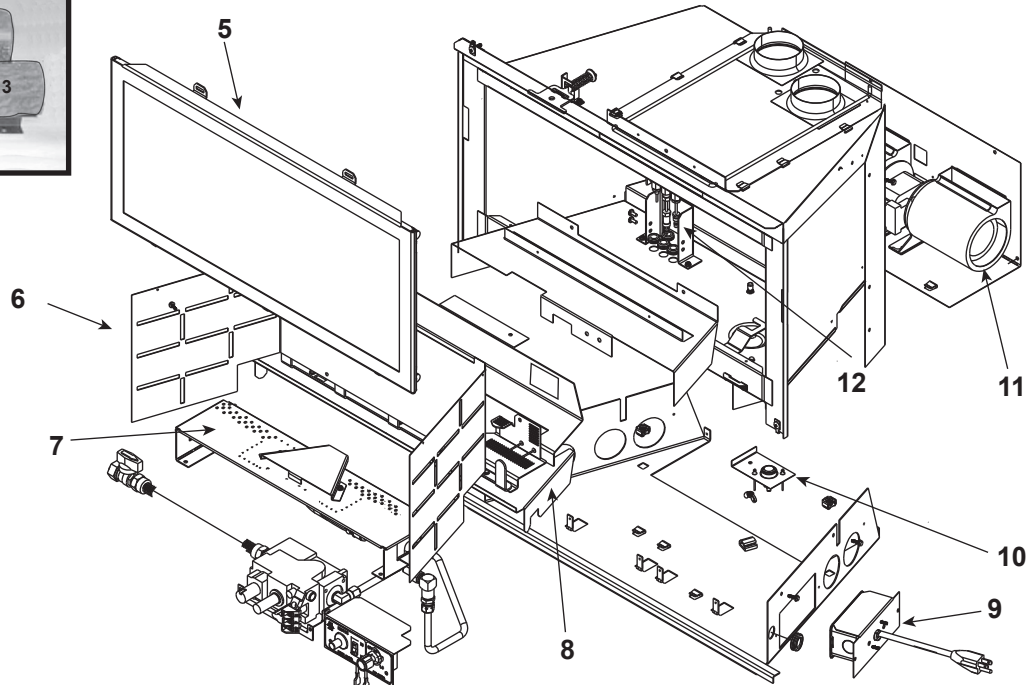
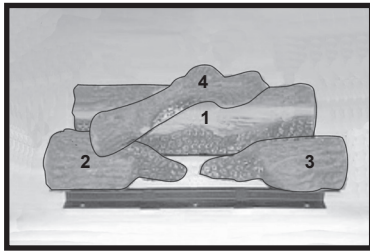


Log Set Assembly

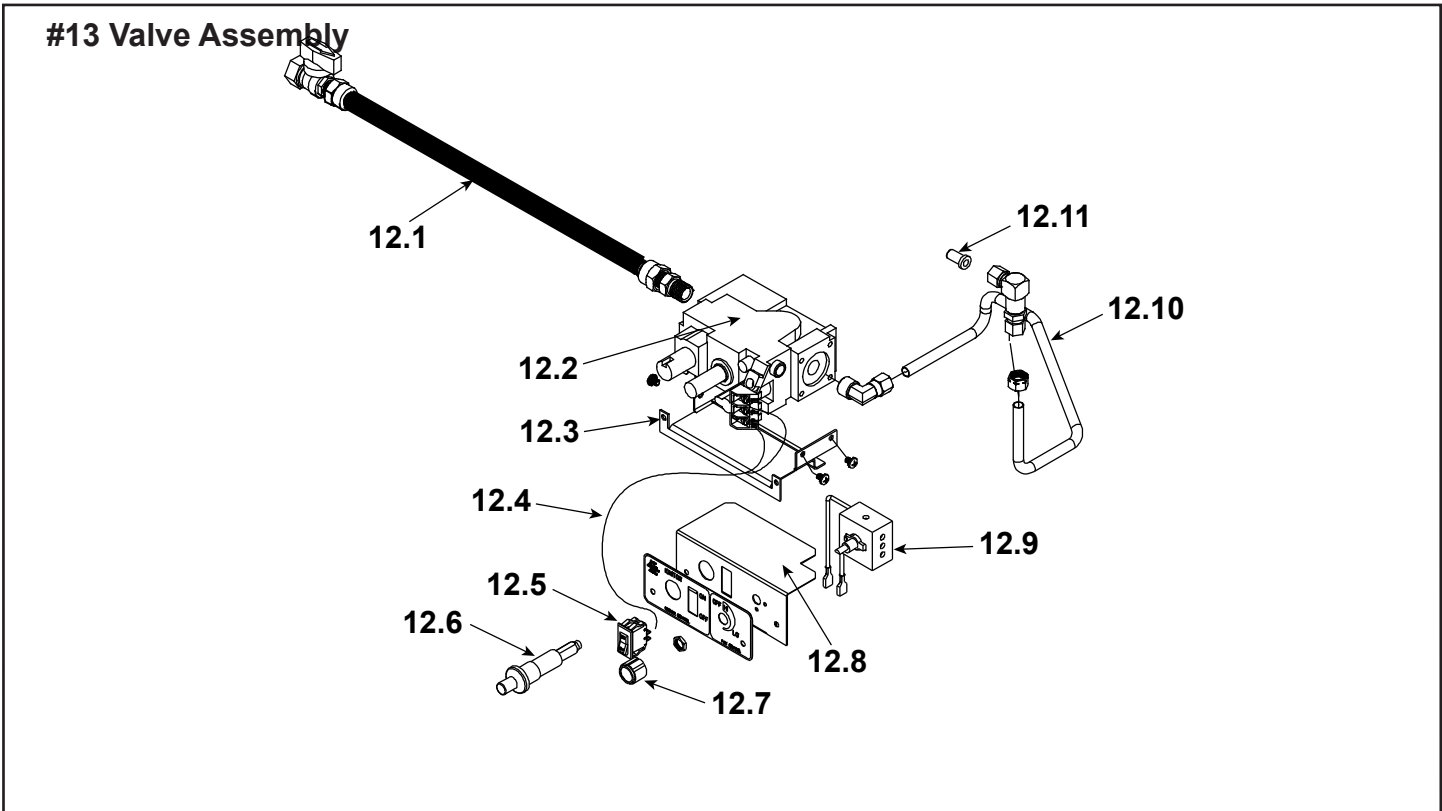


IMPORTANT: THIS IS DATED INFORMATION. Parts must be ordered from a dealer or distributor. **Hearth and Home Technologies does not sell directly to consumers.** Provide model number and serial number when requesting service parts from your dealer or distributor.



Stocked at Depot

ITEM	DESCRIPTION	COMMENTS	PART NUMBER	
	Log Set Assembly	No longer available	LOGS-DVI25S	
1	Back Log	No longer available	SRV741-701	
2	Twig, Left	No longer available	SRV741-702	
3	Twig, Right	No longer available	SRV741-703	
4	Twig, Top	No longer available	SRV741-704	
5	Glass Assembly	No longer available	GLA-DVI25S	
6	Refractory, Steel	No longer available	741-370	
7	Burner NG	No longer available	741-176A	
8	Grate Assembly	No longer available	741-360A	
9	Junction Box	No longer available	740-550A	
10	Temp Sensor		SRV046-018A	Y
11	Fan Assembly	No longer available	740-124A	
12	Pilot Assembly NG		29478	Y
	Pilot Assembly LP		29479	Y
	Lava Rock Bag		4021-295	
	Mineral Wool		050-721	
	Touch Up Paint		TUP-GBK-12	
	Vermiculite Embers		28746	



IMPORTANT: THIS IS DATED INFORMATION. Parts must be ordered from a dealer or distributor. **Hearth and Home Technologies does not sell directly to consumers.** Provide model number and serial number when requesting service parts from your dealer or distributor.



Stocked at Depot

ITEM	DESCRIPTION	COMMENTS	PART NUMBER	
13.1	Flex Ball Valve Assembly		SRV302-320	Y
13.2	Valve NG		SRV230-0710	Y
	Valve LP		SRV230-0720	Y
13.3	Valve Bracket	No longer available	742-145	
13.4	Wire Assembly	No longer available	26203	
13.5	ON/OFF Rocker Switch		SRV32D0232	Y
13.6	Piezo Ignitor		291-513	Y
13.7	Rheostat Knob - Black		SRV7000-246	Y
13.8	Bracket	No longer available	742-126	
13.9	Rheostat Assembly	No longer available	742-528	
13.10	Flexible Gas Connector		477-301A	Y
13.11	Orifice .098 (NG)		21653	Y
	Orifice .063 (LP)	No longer available	17236E	
	Conversion Kit NG	No longer available	843-1720	
	Conversion Kit LP	No longer available	843-1730	
	Pilot Orifice NG		SRV2103-116	Y
	Pilot Orifice LP		2103-117	Y
	Regulator NG		SRV230-1570	Y
	Regulator LP		SRV230-1520	Y