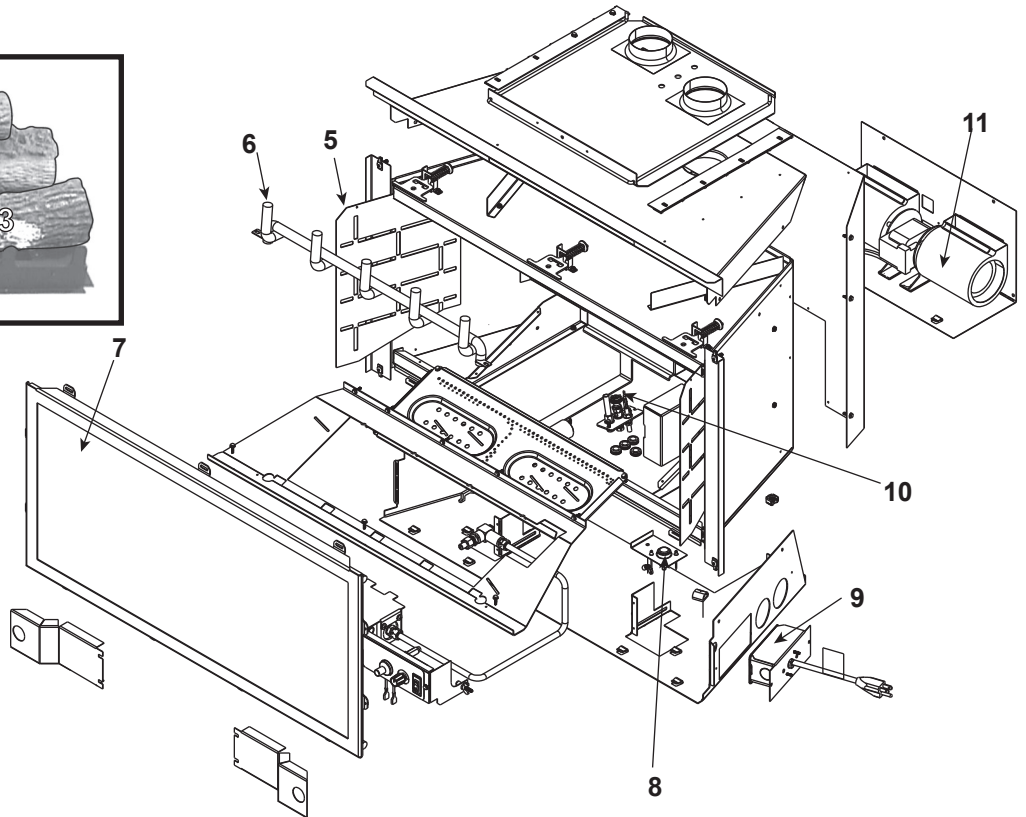
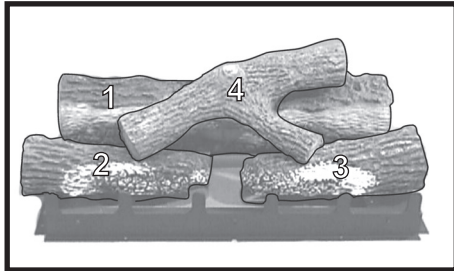


Log Set Assembly

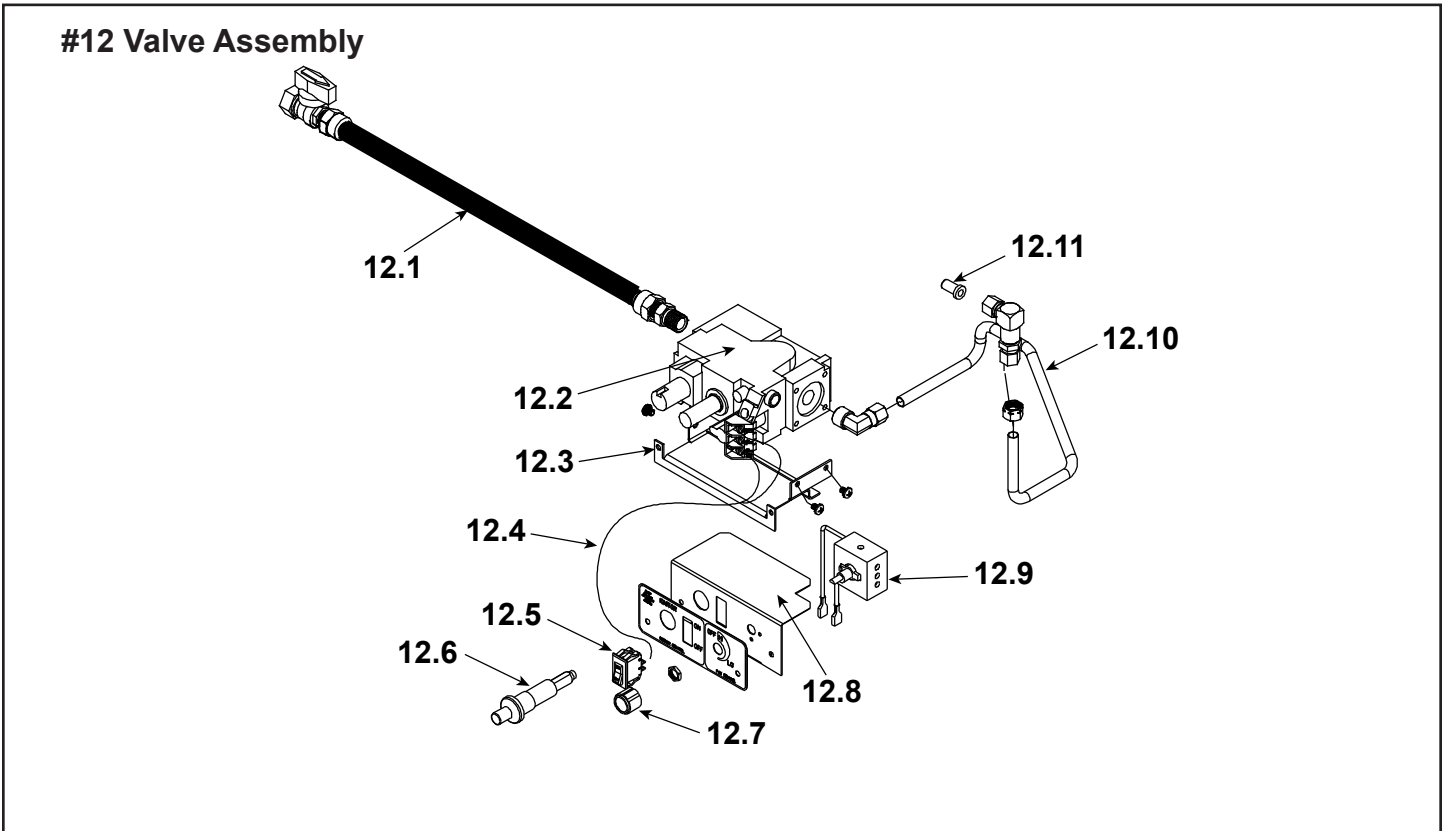


IMPORTANT: THIS IS DATED INFORMATION. Parts must be ordered from a dealer or distributor. **Hearth and Home Technologies does not sell directly to consumers.** Provide model number and serial number when requesting service parts from your dealer or distributor.



Stocked at Depot

ITEM	DESCRIPTION	COMMENTS	PART NUMBER	
	Log Set Assembly / Burner	No longer available	LOGS-DVI35S	Y
1	Back Log	No longer available	SRV742-701	
2	Twig, Left	No longer available	SRV742-702	
3	Twig, Right	No longer available	SRV742-703	
4	Twig, Top	No longer available	SRV742-704	
5	Refractory, Steel	No longer available	742-370	
6	Grate Assembly	No longer available	742-360A	
7	Glass Assembly		GLA-DVI35S	Y
8	Temp Sensor		SRV046-018A	Y
9	Junction Box	No longer available	740-550A	
10	Pilot Assembly NG		29478	Y
	Pilot Assembly LP		29479	Y
11	Fan Assembly	No longer available	740-124A	
	Lava Rock Bag		4021-296	
	Mineral Wool		050-721	
	Touch Up Paint		TUP-GBK-12	
	Vermiculite Embers		28746	



IMPORTANT: THIS IS DATED INFORMATION. Parts must be ordered from a dealer or distributor. **Hearth and Home Technologies does not sell directly to consumers.** Provide model number and serial number when requesting service parts from your dealer or distributor.



Stocked at Depot

ITEM	DESCRIPTION	COMMNETS	PART NUMBER	
12..1	Flex Ball Valve Assembly		531-320A	Y
12.2	Valve NG		SRV230-0710	Y
	Valve LP		SRV230-0720	Y
12.3	Valve Bracket		742-145	
12.4	Wire Assembly	No longer available	26203	
12.5	ON/OFF Rocker Switch		SRV32D0232	Y
12.6	Piezo Ignitor		291-513	Y
12.7	Rheostat Knob - Black		SRV7000-246	Y
12.8	Bracket	No longer available	742-126	
12.9	Rheostat Assembly	No longer available	742-528	
12.10	Flexible Gas Connector		477-301A	Y
12.11	Orifice .115 (NG)		SRV26617	Y
	Orifice .070 (LP)		SRV18678	Y
	Conversion Kit NG	No longer available	843-1760	
	Conversion Kit LP	No longer available	843-1770	
	Pilot Orifice NG		SRV2103-116	Y
	Pilot Orifice LP		2103-117	Y
	Regulator NG		SRV230-1570	Y
	Regulator LP		SRV230-1520	Y