

Part number list on following page.

Beginning Manufacturing Date: Jan 2020
Ending Manufacturing Date: Active

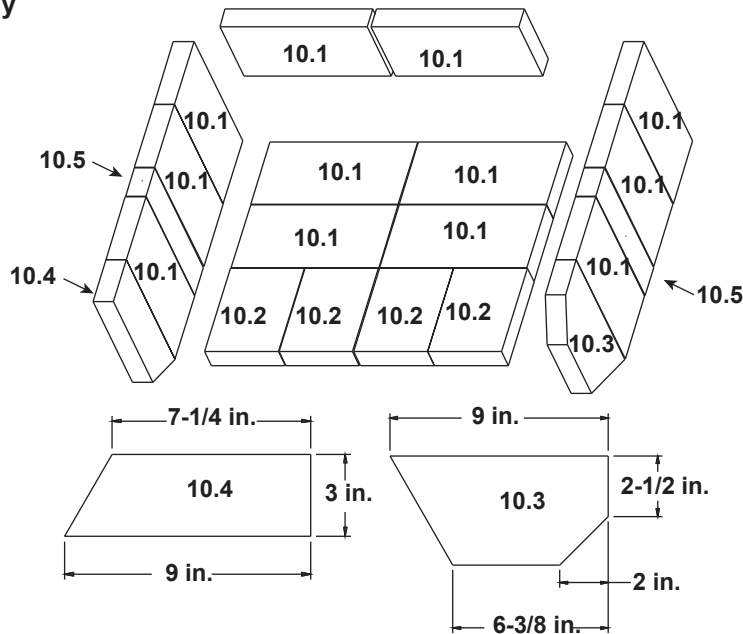
IMPORTANT: THIS IS DATED INFORMATION. Parts must be ordered from a dealer or distributor. **Hearth and Home Technologies does not sell directly to consumers.** Provide model number and serial number when requesting service parts from your dealer or distributor.



Stocked at Depot

ITEM	DESCRIPTION	COMMENTS	PART NUMBER	
1	Air Channel, Convection w/Bracket (Retain Original SN Label)		SRV7033-144	
2	Air Supply Back		SRV7033-134	
3	Flue Collar		SRV7000-302	
4	Panel Assembly, Side, Left		SRV7037-026	Y
5	Ceramic Fiber Blanket, 1/2" Thick		832-3390	
6	Baffle Protection Channel		SRV7033-298	
7	Tube Support Rack		7033-148	
8	Brick Retainer		7033-149	
9	Baffle Board	Pkg of 2	SRV7037-112	

#10 Brick Set Assembly



10	Brick Assembly, Complete Set	Pkg of 20	SRV7037-003	
10.1	Brick, 9 x 4.5 x 1.25"	Qty. 12 Req	832-0550	Y
10.2	Brick, 6 x 4.5 x 1.25"	Qty. 4 Reg.	SRV7128-002	
10.3	Brick, 9 x 4.5 x 1.25" w/Angle	Qty. 1 Reg.	SRV7128-806	
10.4	Brick, 9 x 3 x 1.25" w/Angle	Qty. 1 Reg.	SRV7128-618	
10.5	Brick, small 9 x 2 x 1.25"	Qty. 2 Reg.	SRV7128-018	
	Brick, Uncut	Pkg of 6	832-3040	Y
11	Tube, Channel Assembly		SRV7033-023	
12	Tube Channel Top		SRV7033-237	Y
13	Rear Channel Assembly		7033-002	Y

Additional service part numbers appear on following page.

Beginning Manufacturing Date: Jan 2020
Ending Manufacturing Date: Active

IMPORTANT: THIS IS DATED INFORMATION. Parts must be ordered from a dealer or distributor. **Hearth and Home Technologies does not sell directly to consumers.** Provide model number and serial number when requesting service parts from your dealer or distributor.



Stocked at Depot

ITEM	DESCRIPTION	COMMENTS	PART NUMBER	
<div style="display: flex; justify-content: space-between;"> <div style="width: 45%;"> <p>#14 Door Assembly</p> </div> <div style="width: 45%;"> <p>#15 Handle Assembly</p> </div> </div>				
14	Door Assembly (Required to Complete Option)	Black	DR-31/43BK-FH	Y
		Nickel	DR-31/43NL-FH	Y
14.1	Hinge Pins, 1/2"	Black	7000-606/2	Y
		Nickel	SRV430-5320	
14.2	Rope, Door, 3/4" x 84" - Field cut to Size	7 Ft Length	832-1680	Y
14.3	Door Glass Assembly - 15-1/2" W x 13-3/8" H		7000-012	Y
	Gasket, Glass Tape - Field cut to Size	5 Ft Length	832-0460	Y
14.4	Glass Frame Set		832-0350	
14.5	Screw, Flat Head Philips 8-32 x 1/2	Pkg of 12	220-0490/12	Y
15	Door Handle Assembly		SRV7033-071	Y
15.1	Handle, Fiber		SRV7060-212	
15.2	Door Handle		SRV7044-188	Y
15.3	Washer, SAE, 3/8	Pkg of 3	832-0990	Y
15.4	Cam Latch		SRV430-1141	
15.5	Key, Cam Latch		SRV430-1151	
15.6	Nut, Locking Door Handle	Pkg of 24	226-0100/24	Y
16	Pedestal Assembly		SRV7037-025	
	Logo, Quadra-Fire	Pkg of 10	7000-649/10	
	Pedestal Base		SRV7037-029	
17	Rear Cover, Pedestal		SRV7037-152	

Additional service part numbers appear on following page.

Beginning Manufacturing Date: Jan 2020
Ending Manufacturing Date: Active

IMPORTANT: THIS IS DATED INFORMATION. Parts must be ordered from a dealer or distributor. **Hearth and Home Technologies does not sell directly to consumers.** Provide model number and serial number when requesting service parts from your dealer or distributor.



**Stocked
at Depot**

ITEM	DESCRIPTION	COMMENTS	PART NUMBER	
#18 Burn Rate Control Assembly				
18.1	Burn Rate Control Assembly		7037-004	Y
18.2	Spring Handle, 1/4"	Nickel	250-8340	Y
18.3	Door Gasket - Front & Rear Air Timer Doors		7033-282	Y
18.4	Timer Air Control Assembly		SRV7037-018	Y
	Rear Air Door Assembly		7037-013	Y
18.5	Rear Air Control Arm Assembly		7037-005	Y
18.6	Knob - Start-Up Control Knob		SRV7000-343	
18.7	Air Control Rod Guide		7033-210	
18.8	Latch, Magnet - For Air Control		SRV229-0631	
18.9	Timer Arm Assembly		7033-034	Y
19	Timer (Only) Replacement Assembly		SRV480-1940	Y
20	Panel Assembly, Side Right		SRV7037-027	
21	Tile Frame		SRV7033-324	
22	Frame Blank		SRV7033-346	
	Component Pack (Includes Touch-Up Paint, Fiber Handle, Owner's Manual, & Installation Manual)		SRV7037-048	
	Paint, Touch-Up	Black	3-42-19905	

Additional service part numbers appear on following page.

