

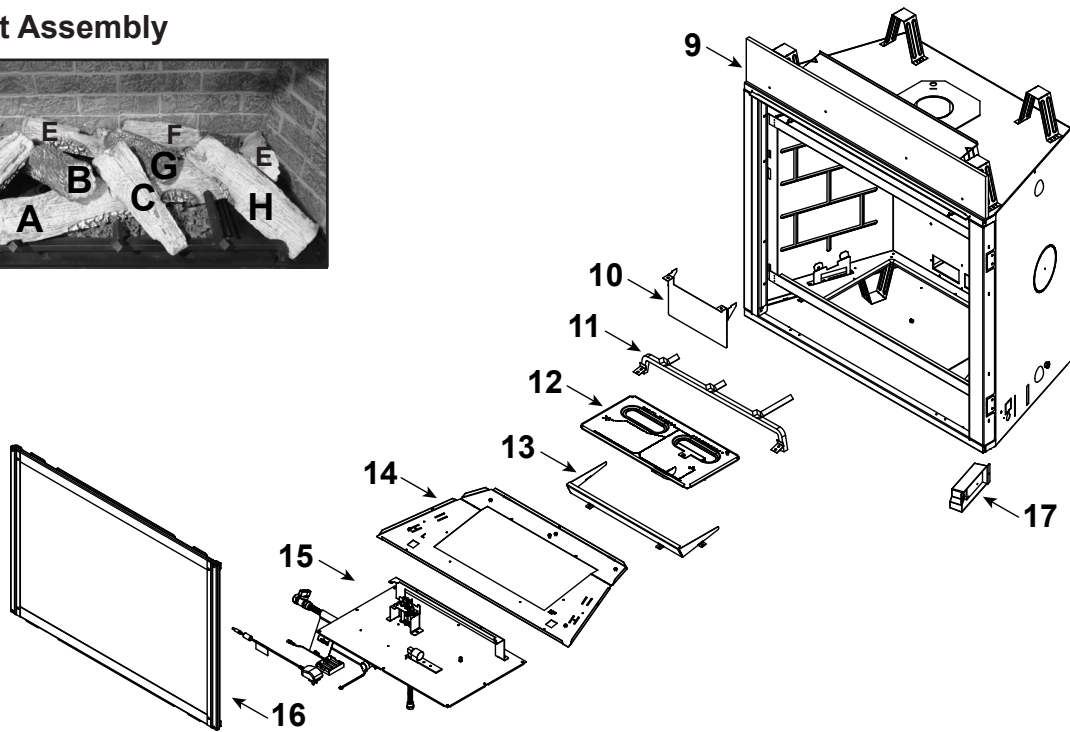
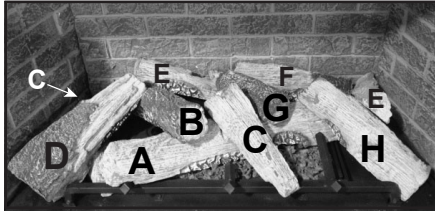


Service Parts DBDV42PLATIN, DBDV42PLATIL

Beginning Manufacturing Date: June 2016
Ending Manufacturing Date: April 2018

Meridian Platinum 42" Gas Fireplace - DV

Log Set Assembly



IMPORTANT: THIS IS DATED INFORMATION. Parts must be ordered from a dealer or distributor. **Hearth and Home Technologies does not sell directly to consumers.** Provide model number and serial number when requesting service parts from your dealer or distributor.



Stocked at Depot

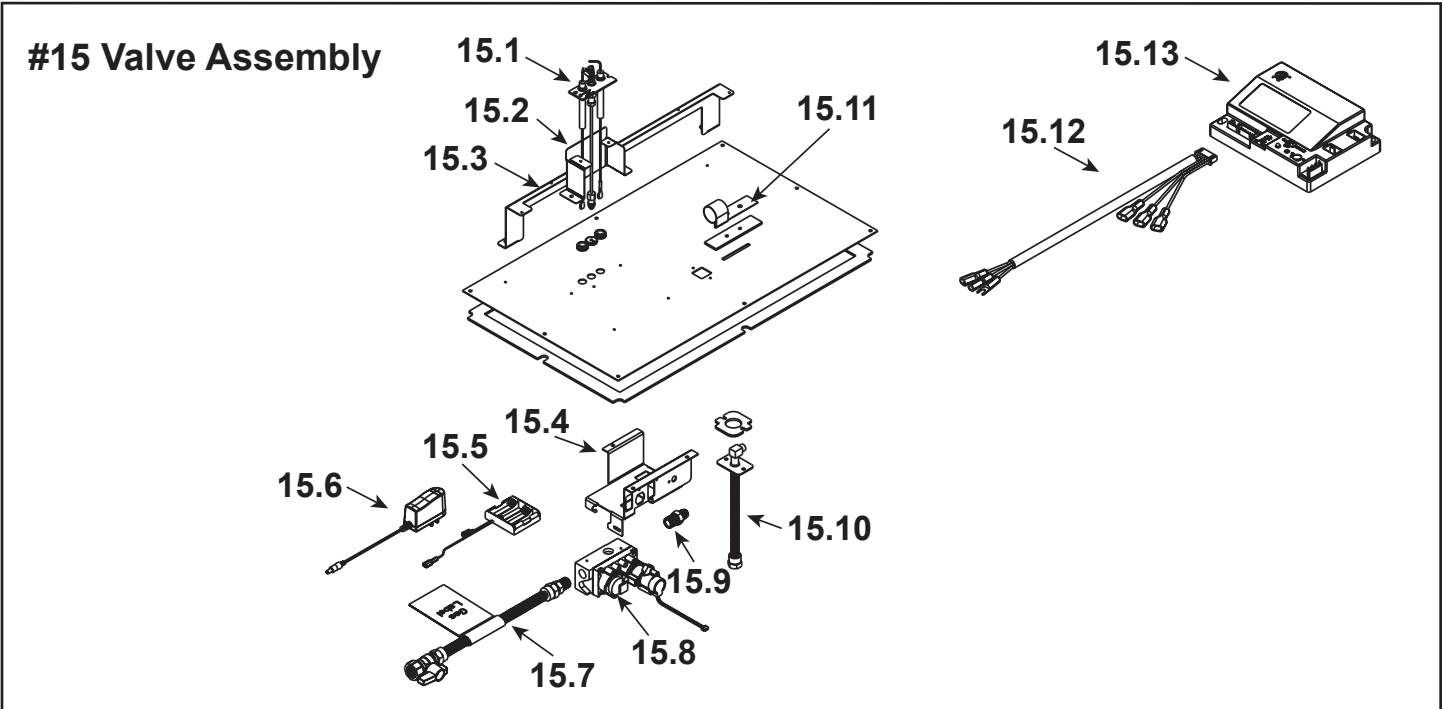
ITEM	DESCRIPTION	COMMENTS	PART NUMBER	
	Log Assembly		LOGSDBDV42PLAT	Y
1	Log A		SRV2454-701	
2	Log B		SRV2454-702	
3	Log C	Qty 2 req	SRV2454-707	
4	Log D		SRV2397-702	
5	Log E	Qty 2 req	SRV2454-704	
6	Log F		SRV2454-705	
7	Log G		SRV2454-706	
8	Log H		SRV2397-706	
9	Insulation Board		2170-136	
10	Exhaust Baffle		SRV2397-133	
11	Grate Assembly		SRV2398-015	
12	Burner Assembly NG		SRV2455-007	Y
	Burner Assembly LP		SRV2455-008	Y
13	Burner Skirt		SRV2208-102-BK	
14	Base Pan		2455-024	
15	Valve Assembly	Refer to valve page		
16	Glass Assembly		GLA-8CLX	Y
17	Junction Box (Plastic)		SRV4021-013	Y

Additional service part numbers appear on following page.



Service Parts DBDV42PLATIN, DBDV42PLATIL

Beginning Manufacturing Date: June 2016
Ending Manufacturing Date: April 2018



IMPORTANT: THIS IS DATED INFORMATION. Parts must be ordered from a dealer or distributor. **Hearth and Home Technologies does not sell directly to consumers.** Provide model number and serial number when requesting service parts from your dealer or distributor.



Stocked at Depot

ITEM	DESCRIPTION	COMMENTS	PART NUMBER	
15.1	Pilot Assembly - NG		2397-012	Y
	Pilot Assembly - LP		2397-013	Y
	Pilot Tube		SRV485-301	Y
15.2	Pilot Bracket		2208-101	
15.3	Burner Leg		2208-106	
15.4	Valve Bracket		2118-104	
15.5	Battery Pack**		SRV2166-323	Y
15.6	Power Supply		SRV2326-131	Y
15.7	Flex Ball Valve Assembly		SRV302-320	Y
15.8	Valve - NG		SRV2166-302	Y
	Valve - LP		2166-303	Y
15.9	Male Connector	Pkg of 5	303-315/5	Y
15.10	Bulkhead w/ Flex		SRV7000-156	Y
15.11	Shutter Bracket Assembly		2118-121	Y
	Control Assembly		SRV2164-030	Y
15.12	Wire Harness		2166-304	Y
15.13	Module		2166-347	Y
	Orifice (#31) - NG		SRV582-831	Y
	Orifice (#50) - LP		582-850	Y

**Fuse for battery pack can be sourced locally, not a warranty item. Specs are 250v, 1A fuse, 3/4" long

Additional service part numbers appear on following page.

