

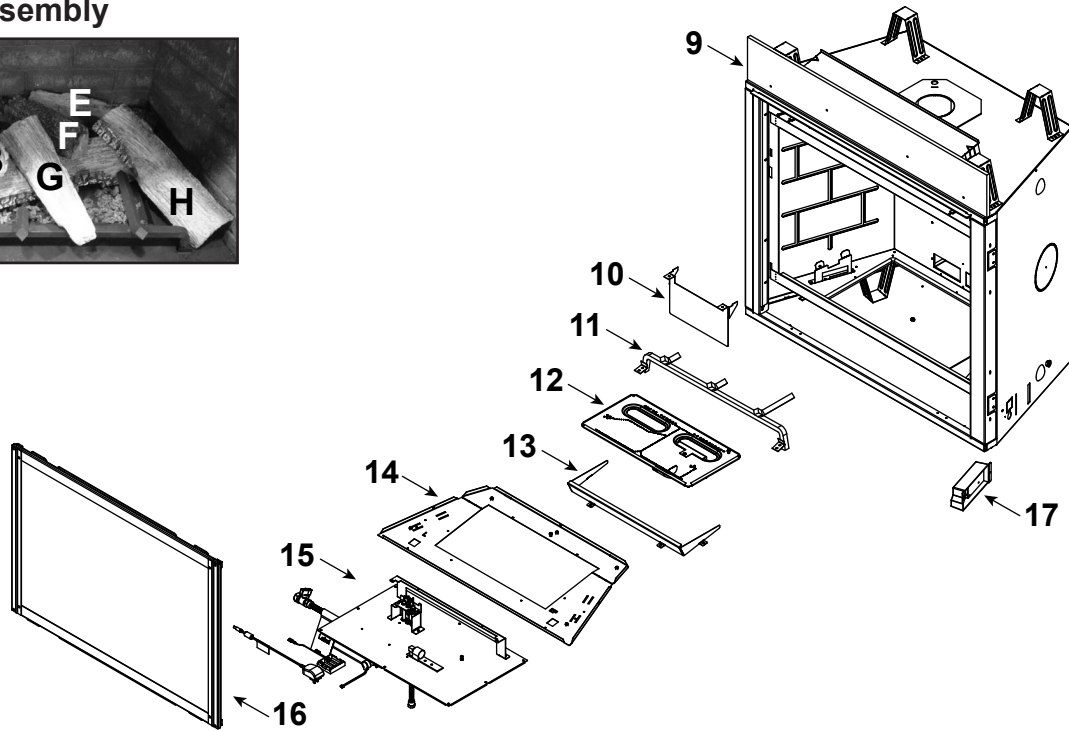
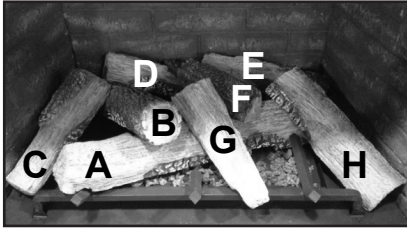


# Service Parts DBDV36PLATIN, DBDV36PLATIL

Beginning Manufacturing Date: June 2016  
Ending Manufacturing Date: April 2018

## Meridian Platinum 36" Gas Fireplace - DV

### Log Set Assembly



IMPORTANT: THIS IS DATED INFORMATION. Parts must be ordered from a dealer or distributor. **Hearth and Home Technologies does not sell directly to consumers.** Provide model number and serial number when requesting service parts from your dealer or distributor.



Stocked at Depot

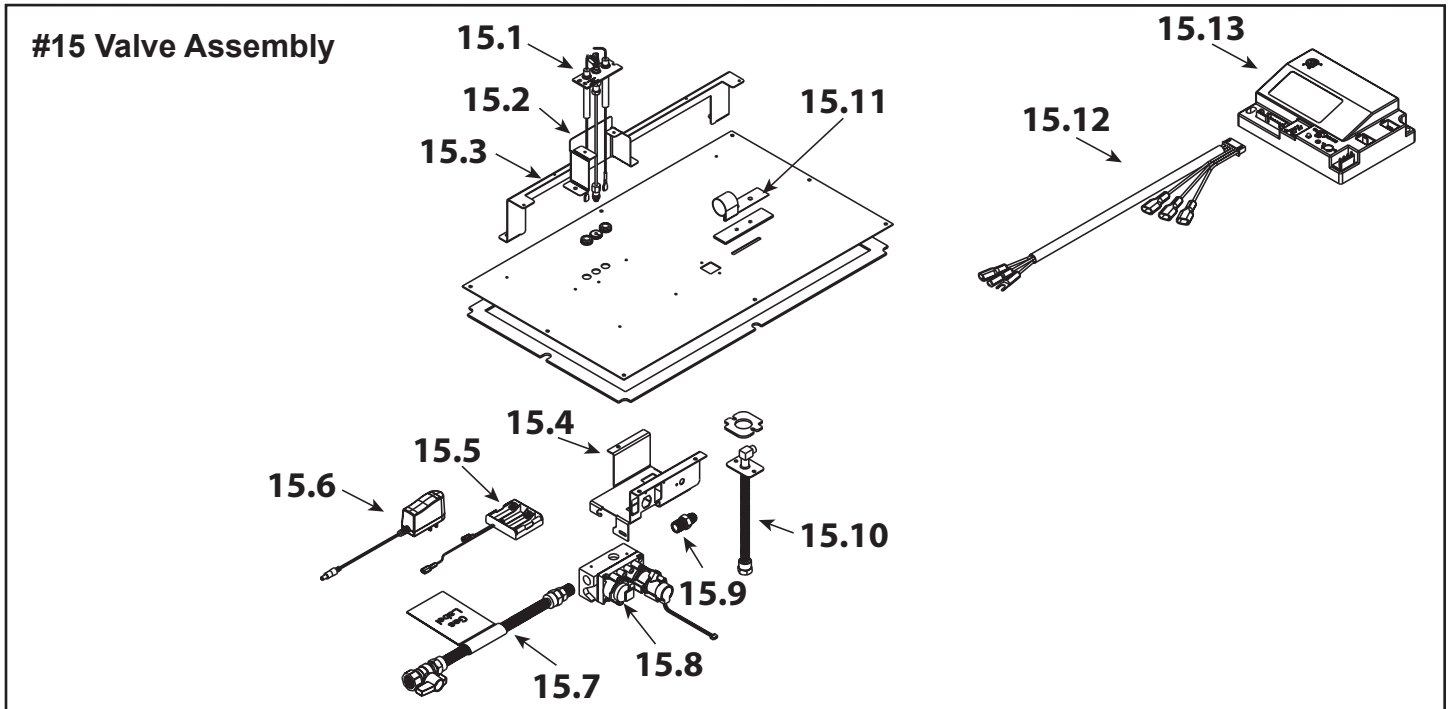
| ITEM | DESCRIPTION            | COMMENTS            | PART NUMBER    |   |
|------|------------------------|---------------------|----------------|---|
|      | Log Assembly           |                     | LOGSDBDV36PLAT | Y |
| 1    | Log A                  |                     | SRV2454-701    |   |
| 2    | Log B                  |                     | SRV2454-702    |   |
| 3    | Log C                  |                     | SRV2397-705    |   |
| 4    | Log E                  |                     | SRV2454-705    |   |
| 5    | Log D                  |                     | SRV2454-704    |   |
| 6    | Log F                  |                     | SRV2454-706    |   |
| 7    | Log G                  |                     | SRV2454-707    |   |
| 8    | Log H                  |                     | SRV2397-706    |   |
| 9    | Insulation Board       |                     | 2166-136       |   |
| 10   | Exhaust Baffle         |                     | SRV2397-133    |   |
| 11   | Grate Assembly         |                     | SRV2397-015    |   |
| 12   | Burner Assembly        |                     | SRV2454-007    | Y |
| 13   | Burner Skirt           |                     | SRV2208-102-BK |   |
| 14   | Base Pan Assembly      |                     | 2454-024       |   |
| 15   | Valve Assembly         | Refer to valve page |                |   |
| 16   | Glass Assembly         |                     | GLA-6GLX       | Y |
| 17   | Junction Box (Plastic) |                     | SRV4021-013    | Y |

Additional service part numbers appear on following page.



# Service Parts DBDV36PLATIN, DBDV36PLATIL

Beginning Manufacturing Date: June 2016  
Ending Manufacturing Date: April 2018



**IMPORTANT: THIS IS DATED INFORMATION.** Parts must be ordered from a dealer or distributor. **Hearth and Home Technologies does not sell directly to consumers.** Provide model number and serial number when requesting service parts from your dealer or distributor.



**Stocked at Depot**

| ITEM  | DESCRIPTION                | COMMENTS | PART NUMBER |   |
|-------|----------------------------|----------|-------------|---|
| 15.1  | Pilot Assembly - <b>NG</b> |          | 2397-012    | Y |
|       | Pilot Assembly - <b>LP</b> |          | 2397-013    | Y |
|       | Pilot Tube                 |          | SRV485-301  | Y |
| 15.2  | Pilot Bracket              |          | 2208-101    |   |
| 15.3  | Burner Leg                 |          | 2208-106    |   |
| 15.4  | Valve Bracket              |          | 2118-104    |   |
| 15.5  | Battery Pack**             |          | SRV2166-323 | Y |
| 15.6  | Power Supply               |          | SRV2326-131 | Y |
| 15.7  | Flex Ball Valve Assembly   |          | SRV302-320  | Y |
| 15.8  | Valve - <b>NG</b>          |          | SRV2166-302 | Y |
|       | Valve - <b>LP</b>          |          | 2166-303    | Y |
| 15.9  | Male Connector             | Pkg of 5 | 303-315/5   | Y |
| 15.10 | Bulkhead w/ Flex           |          | SRV7000-156 | Y |
| 15.11 | Shutter Bracket Assembly   |          | 2118-121    | Y |
|       | Control Assembly           |          | SRV2164-030 | Y |
| 15.12 | Wire Harness               |          | 2166-304    | Y |
| 15.13 | Module                     |          | 2166-347    | Y |
|       | Orifice (#33C) - <b>NG</b> |          | 582-833     | Y |
|       | Orifice (#51C) - <b>LP</b> |          | SRV582-851  | Y |

\*\*Fuse for battery pack can be sourced locally, not a warranty item. Specs are 250v, 1A fuse, 3/4" long

Additional service part numbers appear on following page.



# Service Parts **DBDV36PLATIN, DBDV36PLATIL**

Beginning Manufacturing Date: June 2016  
Ending Manufacturing Date: April 2018

**IMPORTANT: THIS IS DATED INFORMATION.** Parts must be ordered from a dealer or distributor. **Hearth and Home Technologies does not sell directly to consumers.** Provide model number and serial number when requesting service parts from your dealer or distributor.



**Stocked  
at Depot**

| ITEM | DESCRIPTION  | COMMENTS            | PART NUMBER   |   |
|------|--|---------------------|---------------|---|
|      | Decorative Mesh  | Black               | DBM36BK       |   |
|      | Flue Restrictor  |                     | 385-128       |   |
|      | Gasket Assembly<br>Includes Burner Neck, Vent, and Air Shutter Gaskets |                     | 2166-081      |   |
|      | Glass Clip Support Assembly  |                     | 2155-045      | Y |
|      | Jumper Wire  |                     | SRV2187-198   | Y |
|      | Lava Rock  |                     | 4021-297      |   |
|      | Mineral Wool   |                     | SRV14333      |   |
|      | Refractory Set   |                     | BRICK36MERTB  |   |
|      |  |                     | BRICK36MERTCR |   |
|      |  |                     | BRICK36MERTBH |   |
|      | Surround Assembly  | No longer available | 2166-019      |   |
|      | Thermostat Wire Assembly   |                     | SRV2118-170   | Y |
|      | Touch up Paint   |                     | TUP-GBK-12    |   |
|      |  |                     |               |   |
|      |  |                     |               |   |
|      |  |                     |               |   |
|      |  |                     |               |   |
|      |  |                     |               |   |
|      |  |                     |               |   |
|      |  |                     |               |   |
|      |  |                     |               |   |
|      |  |                     |               |   |
|      |  |                     |               |   |
|      |  |                     |               |   |
|      |  |                     |               |   |
|      |  |                     |               |   |
|      |  |                     |               |   |
|      | Conversion Kit NG  |                     | DBDV36PLATNGK |   |
|      | Conversion Kit LP  |                     | DBDV36PLATLPK |   |
|      | Orifice, Pilot NG  |                     | SRV593-528    | Y |
|      | Orifice, Pilot LP  |                     | SRV593-527    | Y |
|      | Regulator NG   |                     | NGK-DXV-50    | Y |
|      | Regulator LP   |                     | SRVLPK-DXV-50 | Y |