

**IMPORTANT: THIS IS DATED INFORMATION.** Parts must be ordered from a dealer or distributor. **Hearth and Home Technologies does not sell directly to consumers.** Provide model number and serial number when requesting service parts from your dealer or distributor.



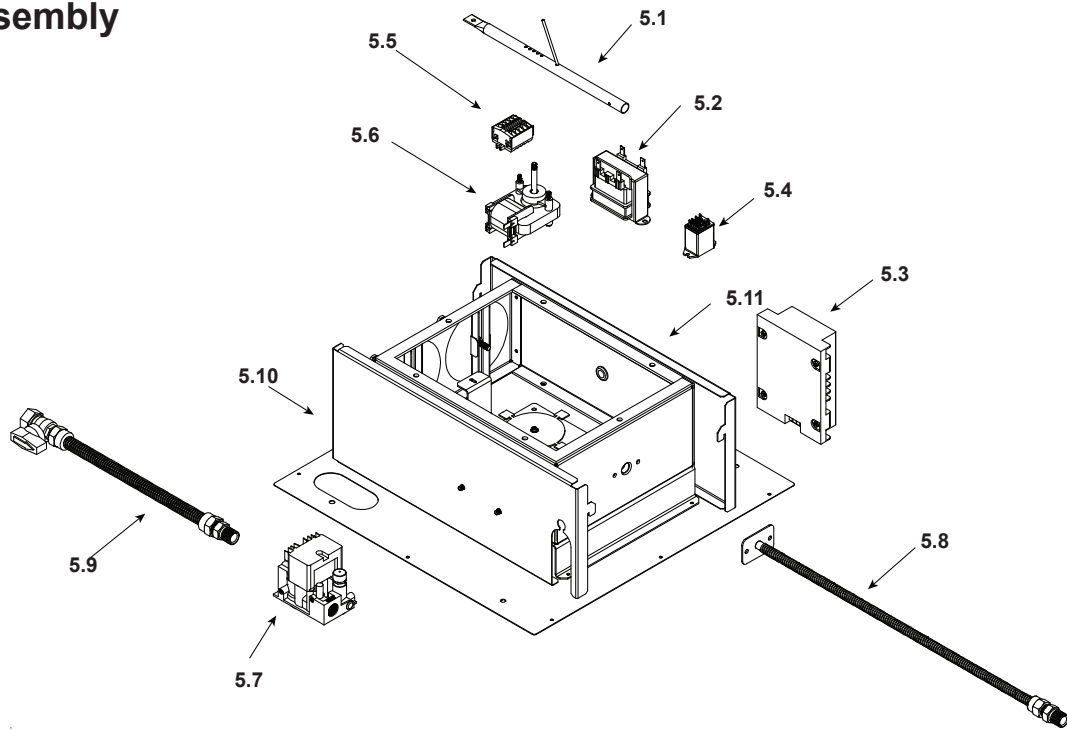
**Stocked at Depot**

ITEM	DESCRIPTION	COMMENTS	PART NUMBER	
1	Top Cover Assembly	No longer available	2061-005	
2	Tube Assembly	No longer available	2061-015	
3	Ignitor	No longer available	SRV2061-165	
		No longer available	2061-165	
4	Flame Sensor	No longer available	2061-142	
	Fan Blade	No longer available	2061-108A	
	Flue Restrictor	No longer available	2061-203	
	Flue Restrictor	No longer available	2061-204	
	Wall Switch		WSK-21-W	

No one builds a better fire

Beginning Manufacturing Date: April 2004  
Ending Manufacturing Date: June 2010

### #5 Valve Assembly



IMPORTANT: THIS IS DATED INFORMATION. Parts must be ordered from a dealer or distributor. **Hearth and Home Technologies does not sell directly to consumers.** Provide model number and serial number when requesting service parts from your dealer or distributor.



**Stocked  
at Depot**

ITEM	DESCRIPTION	COMMENTS	PART NUMBER	
5.1	Burner Tube		2073-025	Y
5.2	Transformer	No longer available	060-599	
5.3	Control Module	No longer available	2061-138	
		No longer available	SRV2061-592	
5.4	Relay Solder / Plug In	No longer available	2073-158	
		Post Feb 2005	N/A	
5.5	Terminal Block	No longer available	2073-157	
		Post Aug 2007	N/A	
5.6	Fan Motor, 120 V, 60H2, 71A	No longer available	2061-308A	
5.7	Electric Valve		2061-023	Y
5.8	Flex Tube		2005-009	Y
5.9	Flex Ball Valve Assembly		SRV302-320	Y
5.10	Heat Shield	No longer available	2061-180	
		No longer available	2061-209	
5.11	Heat Shield	No longer available	2061-177	
	Orifice (#50C)		582-850	Y
	Wire Bundle Assembly	No longer available	2073-009	
		No longer available	2073-050	