

IMPORTANT: THIS IS DATED INFORMATION. Parts must be ordered from a dealer or distributor. **Hearth and Home Technologies does not sell directly to consumers.** Provide model number and serial number when requesting service parts from your dealer or distributor.

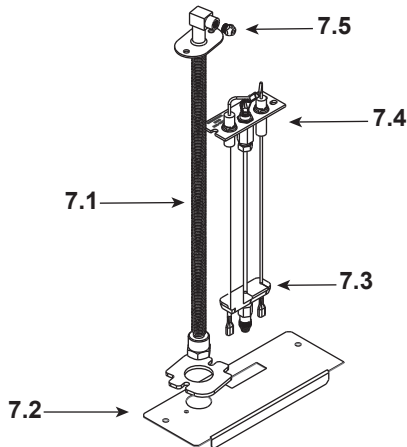


**Stocked  
at Depot**

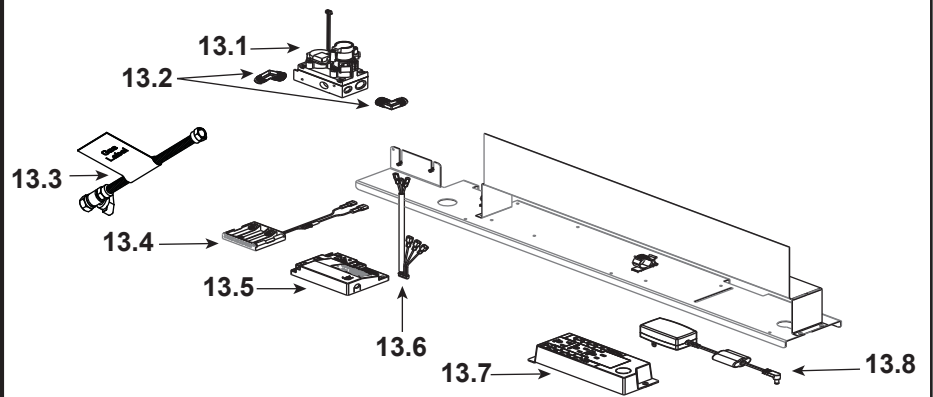
ITEM	DESCRIPTION	COMMENTS	PART NUMBER	
1	Non-combustible Board, Top		SRV2321-460	
2	Standoff, Top	Qty 4 req	2300-283	
3	Side Trim	Qty 2 req	2300-281	
4	Non-combustible Board, Side	Qty 2 req	2300-461	
5	Bottom glass		2321-018	
6	Burner		2321-007	
7	Pilot Assembly		<b>See Following Page</b>	
8	Shield, Pilot		2300-195	
9	Glass Assembly		GLA-60-HTL	
10	Shield., Bottom Glass		2321-179	
11	Panel, Bottom		2321-147	
12	Rock Tray		2321-151	

Additional service part numbers on following page.

**#7 Pilot Assembly**



**#13 Valve Assembly**



IMPORTANT: THIS IS DATED INFORMATION. Parts must be ordered from a dealer or distributor. **Hearth and Home Technologies does not sell directly to consumers.** Provide model number and serial number when requesting service parts from your dealer or distributor.



**Stocked  
at Depot**

ITEM	DESCRIPTION	COMMENTS	PART NUMBER	
7.1	Bulkhead W/Flex tube		2166-119	Y
7.2	Plate Flex and Pilot		2300-163	
7.3	3-Hole Grommet		SRV2118-420	
7.4	Pilot Assembly, NG		SRV2090-012	Y
	Pilot Assembly, Propane		2090-013	Y
7.5	Orifice, NG #28C		582-828	Y
	Orifice, Propane #48C		SRV582-848	Y
13.1	Valve, NG		2166-302	Y
	Valve, Propane		2166-303	Y
13.2	Elbow	Qty 2 req	SRV4021-045	
13.3	Flex Ball Valve Assembly		2078-022	Y
13.4	Battery Pack**		SRV2166-323	Y
13.5	Module		2166-347	Y
13.6	Wire Harness		2166-304	Y
13.7	Junction Box		SRV4021-013	Y
13.8	DC Regulator		SRV2326-131	Y

\*\*Fuse for battery pack can be sourced locally, not a warranty item. Specs are 250v, 1A fuse, 3/4" long

Additional service part numbers on following page.

**IMPORTANT: THIS IS DATED INFORMATION.** Parts must be ordered from a dealer or distributor. **Hearth and Home Technologies does not sell directly to consumers.** Provide model number and serial number when requesting service parts from your dealer or distributor.



**Stocked  
at Depot**

ITEM	DESCRIPTION	COMMENTS	PART NUMBER	
	Flue Restrictor		385-128	
	Fiber Glass Rope		060-455	
	Gasket Assembly Contains:Vent, Burner Neck, Seal Cap, Air Passage, Drawn Air Passage, and Flex and Pilot		2300-080	
	Glass Latch Assembly	Qty 4 req	2146-413	
	Log Assembly (Optional)		LOGS-60	
	Light Kit, Ambient (Optional)		ALK-60	
	Black Glass Kit ( Includes Manual Bag Assembly for kit and Refractory Assembly, Optional)		BGK-60	
	Remote RC300-HTL		2166-331	Y
	Touch Up Paint		TUP-GBK-12	
	Vinyl Siding Shield		TRAP-VSS	
<b>Media Options</b>				
	Media Kit, Red		MEDIA-RED-60	
	Media Kit, Ebony		MEDIA-EBONY-60	
	Media Kit, Cobalt		MEDIA-COBALT-60	
	Media Kit, Clear		MEDIA-CLEAR-60	
	Media Kit, Amber		MEDIA-AMBER-60	
<b>Conversion Kits</b>				
	Conversion Kit NG		N/A	
	Conversion Kit Propane		LPK-7260	Y
	Pilot Orifice, NG		SRV593-528	Y
	Pilot Orifice, Propane		SRV593-527	Y
	Regulator, NG		NGK-DXV-50	Y
	Regulator, Propane		SRVLPK-DXV-50	Y