

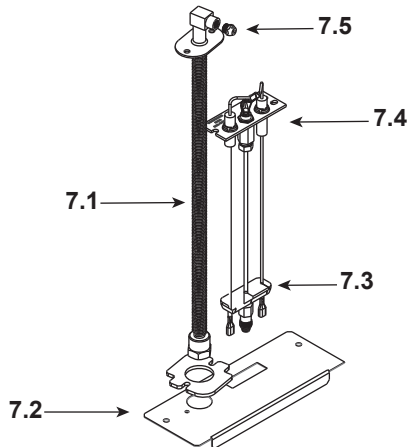
IMPORTANT: THIS IS DATED INFORMATION. Parts must be ordered from a dealer or distributor. **Hearth and Home Technologies does not sell directly to consumers.** Provide model number and serial number when requesting service parts from your dealer or distributor.



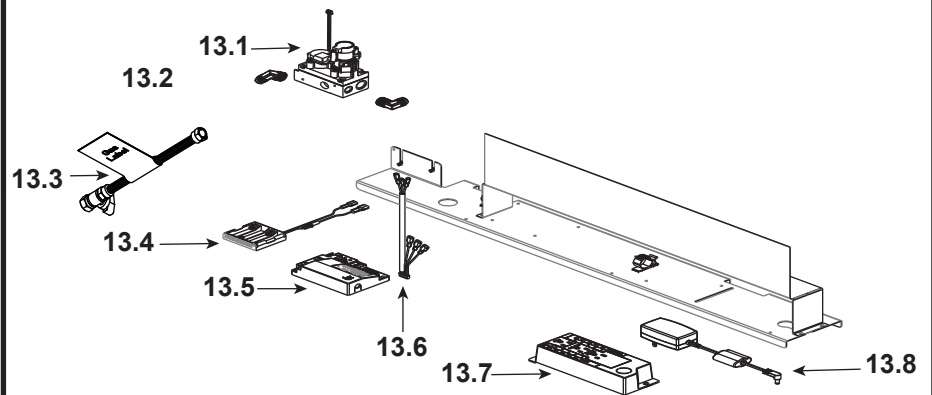
Stocked at Depot

ITEM	DESCRIPTION	COMMENTS	PART NUMBER	
1	Non-combustible Board, Top	Qty 2 req	SRV2300-460	
2	Standoff, Top	Qty 4 req	2300-282	
3	Side Trim	Qty 4 req	2300-281	
4	Non-combustible Board, Side	Qty 4 req	2300-461	
5	Bottom glass		2300-018	
6	Burner		2300-007	Y
7	Pilot Assembly		See Following Page	
8	Shield, Pilot		2300-195	
9	Glass Assembly	Qty 2 req	GLA-48-HTL	
10	Shield, Bottom Glass w/vents		2300-179	
	Shield., Bottom Glass		2301-179	
11	Panel, Bottom w/vents		2300-147	
	Panel, Bottom		2301-147	
12	Rock Tray		2300-151	

#7 Pilot Assembly



#13 Valve Assembly



IMPORTANT: THIS IS DATED INFORMATION. Parts must be ordered from a dealer or distributor. **Hearth and Home Technologies does not sell directly to consumers.** Provide model number and serial number when requesting service parts from your dealer or distributor.



Stocked at Depot

ITEM	DESCRIPTION	COMMENTS	PART NUMBER	Stocked at Depot
7.1	Bulkhead W/Flex tube		2166-119	Y
7.2	Plate Flex and Pilot		2300-163	
7.3	3-Hole Grommet		SRV2118-420	
7.4	Pilot Assembly, NG		SRV2090-012	Y
	Pilot Assembly, Propane		2090-013	Y
7.5	Orifice, NG #.124		582-8124	Y
	Orifice, Propane #49C		SRV582-849	Y
13.1	Valve, NG		2166-302	Y
	Valve, Propane		2166-303	Y
13.2	Elbow	Qty 2 req	SRV4021-045	
13.3	Flex Ball Valve Assembly		2078-022	Y
13.4	Battery Pack**		SRV2166-323	Y
13.5	Module		2166-347	Y
13.6	Wire Harness		2166-304	Y
13.7	Junction Box		SRV4021-013	Y
13.8	DC Regulator		SRV2326-131	Y

**Fuse for battery pack can be sourced locally, not a warranty item. Specs are 250v, 1A fuse, 3/4" long

Additional service part numbers on following page.

