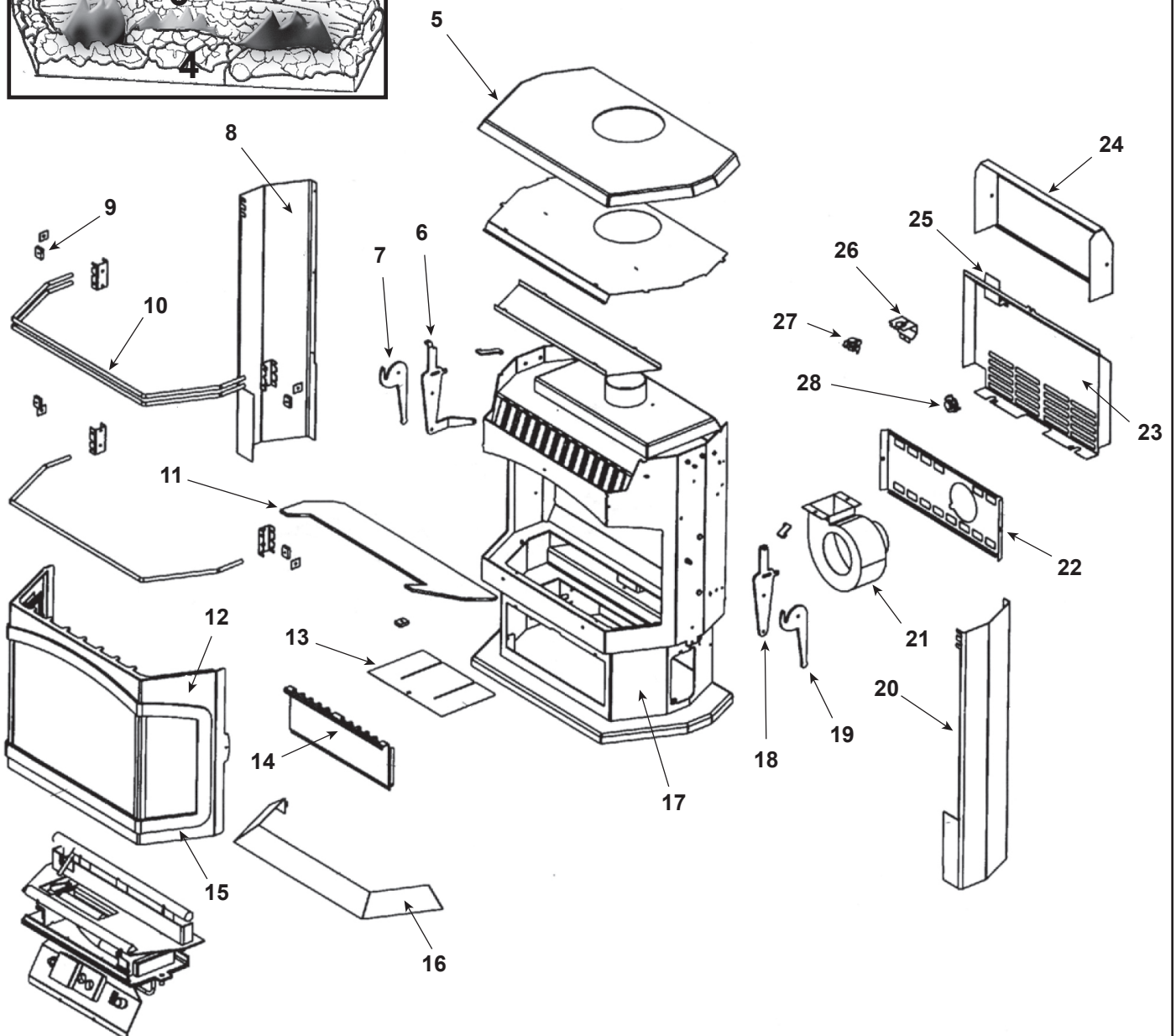
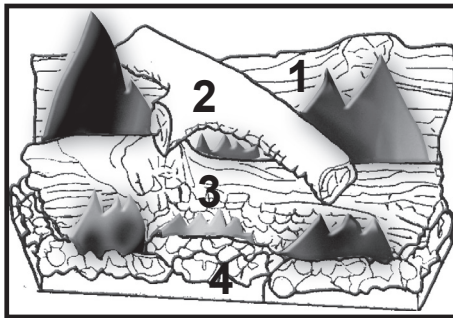


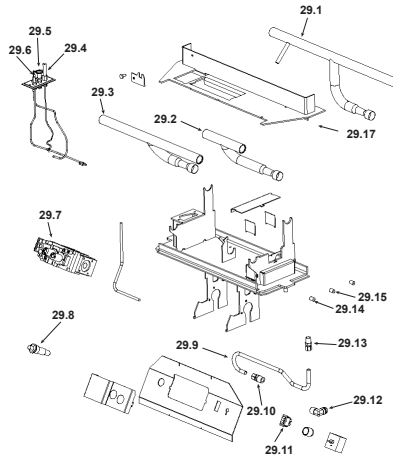
1-90-08280-1 (Black), 1-90-08280-2 (Charcoal), 1-90-08280-3 (Goldenfire), 1-90-08280-4 (Metallic Blue),
1-90-08280-5 (Honey Glo), 1-90-08280-10 (Mojave Red), 1-90-08280-12 (Forest Green)

Log Set Assembly



Part number list on following page.

#29 Burner Module Assembly



IMPORTANT: THIS IS DATED INFORMATION. Parts must be ordered from a dealer or distributor. **Hearth and Home Technologies does not sell directly to consumers.** Provide model number and serial number when requesting service parts from your dealer or distributor.



**Stocked
at Depot**

ITEM	DESCRIPTION	COMMENTS	PART NUMBER	
29	Valve Assembly, NG	No longer available	1-10-08263	
29	Valve Assembly, LP	No longer available	1-10-08264	
	Burner Tube Set	No longer available	1-00-08693	
29.1	Burner Tube, rear	No longer available	3-40-08226	
29.2	Burner Tube, middle		3-40-08225	Y
29.3	Burner Tube, front	No longer available	3-40-08693	
29.4	Thermopile	No longer available	3-20-08219	
29.5	Pilot - NG	No longer available	3-40-08714	
	Pilot - LP	No longer available	3-40-08715	
29.6	Thermocouple for use w/ S.I.T. pilot	No longer available	3-40-08228	
	Thermocouple for use w/PSE		3-40-08906	Y
29.7	Valve - LP		SRV230-0720	Y
	Valve - NG		SRV230-0710	Y
29.8	Piezo (igniter) w/nut	No longer available	3-40-08220	
29.9	Tubing 3/8"	No longer available	2-00-08281	
29.10	Fitting, male compression 3/8" tp 3/8"	No longer available	3-31-08284	
29.11	Rocker Switch, 3 position	No longer available	3-20-08221A	
29.12	Brass Elbow, 90 degree	No longer available	3-31-08282	
29.13	Fitting, male compression 1/4" tp 3/8"	No longer available	3-31-08283	
29.14	Orifice, #56 male thread (center) - NG	No longer available	3-40-57356	
	Orifice, #71 male thread (center) - LP	No longer available	3-40-57271	
29.15	Orifice, #47 male thread (front) - NG	No longer available	3-40-64347	
	Orifice, #56 male thread (front) - LP	No longer available	3-40-57356	
29.16	Orifice, #39 male thread (rear) - NG	No longer available	3-40-64739	
	Orifice, #53 male thread (rear) - LP	No longer available	3-40-57753	
29.17	Burner Plate	No longer available	1-10-08277W	

Additional service part numbers appear on following page.

