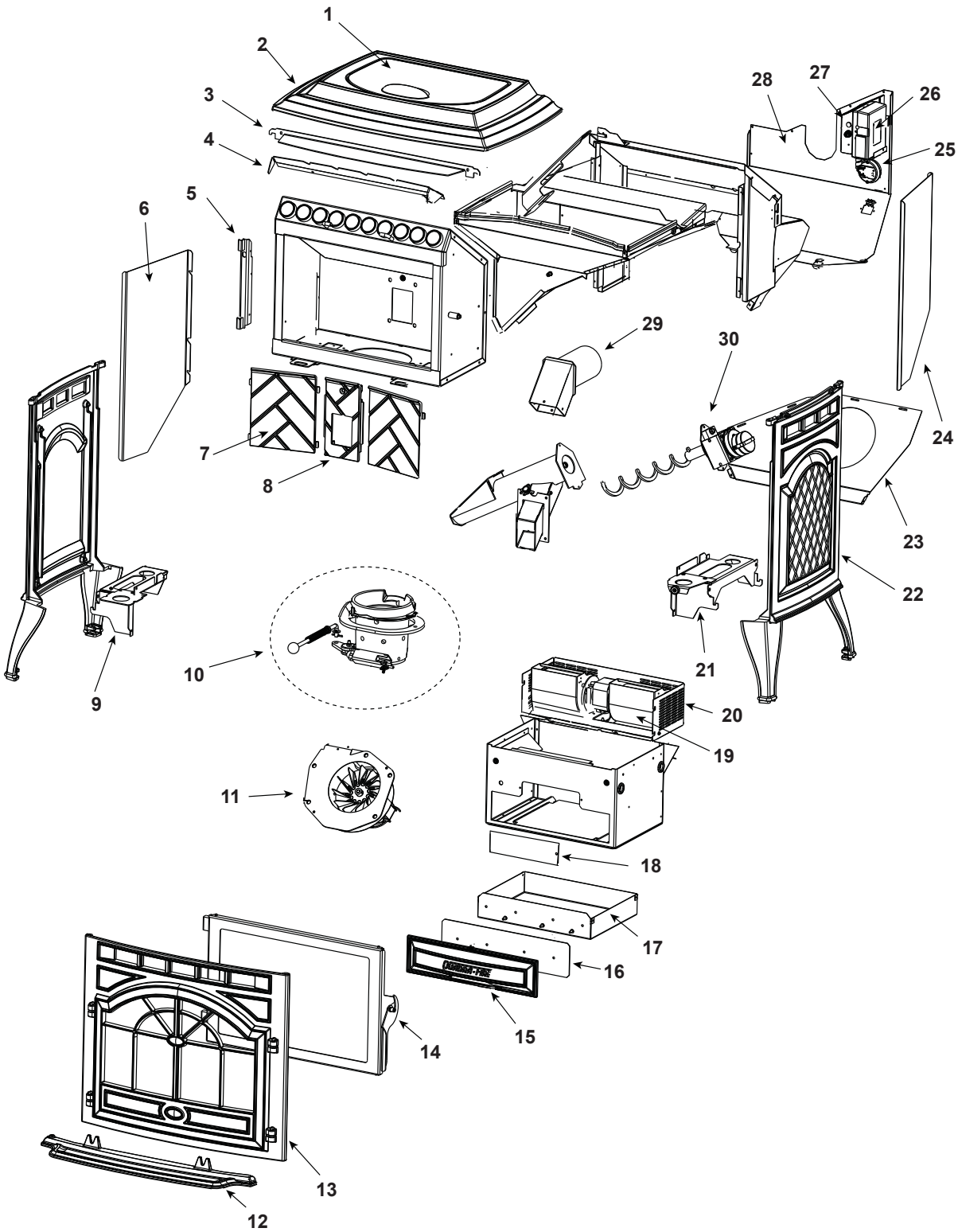


CASTILE-CSB-B, , CASTILE-MBK-B, CASTILE-PMH-B
CASTILE-CWL-B (Oct 2009 thru June 2011)



Part number list on following pages.

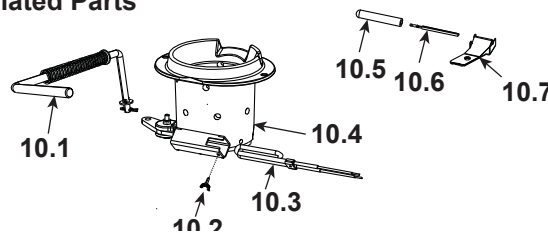
IMPORTANT: THIS IS DATED INFORMATION. Parts must be ordered from a dealer or distributor. **Hearth and Home Technologies does not sell directly to consumers.** Provide model number and serial number when requesting service parts from your dealer or distributor.



Stocked at Depot

ITEM	DESCRIPTION	COMMENTS	PART NUMBER	
1	Hopper Lid Assembly	Black	SRV7021-022MBK	
		Mahogany	SRV7021-022PMH	
		Sienna Bronze	SRV7021-022CSB	
		No longer available	SRV7021-022CWL	
	Bumper, Rubber	Pkg of 12	SRV224-0340/12	Y
	Magnet Round		SRV7000-140	Y
2	Top	Black	7021-101MBK	
		Mahogany	7021-101PMH	
		Sienna Bronze	7021-101CSB	
		No longer available	7021-101CWL	
3	Cast Retainer Upper		SRV7021-141	
4	Convection Air Director		SRV7021-123	
5	Hinge Bracket		SRV7021-115	
6	Outer Skin Left		SRV7021-119	
7	Brick, Left / Right, Cast		SRV414-0270	
8	Brick, Center, Cast		SRV414-0260	
9	Cast Retainer Lower Left Assembly		SRV7021-018	

#10 Firepot Assembly and Associated Parts



10.1	Pull Rod Assembly		SRV7021-005	
	Knob, Ash Dump Control Rod		832-3020	
	Spring, Firepot		200-2050	
10.2	Wing Thumb Screw 8-32 x 1/2	Pkg of 24	7000-223/24	Y
10.3	Heating Element Assembly 18" (Loop Igniter)	Pkg of 10	SRV7000-462/10	Y
10.4	Firepot Assembly		SRV414-5200	Y
	Bushing, Firepot		410-8320	Y
	Floor, Firepot		414-0290	Y
	Gasket, Firepot		SRV240-0930	Y
	Nut, Lock 1/4-20	Pkg of 25	226-0090/25	Y
	Bolt, Firepot, 1-1/4" Long	Pkg of 25	225-0120/25	Y
10.5	Thermocouple Cover	Pkg of 10	812-4920	Y
10.6	Thermocouple		812-4470	Y
10.7	Thermocouple Clamp		SRV7001-203	Y

Additional service part numbers appear on following page.

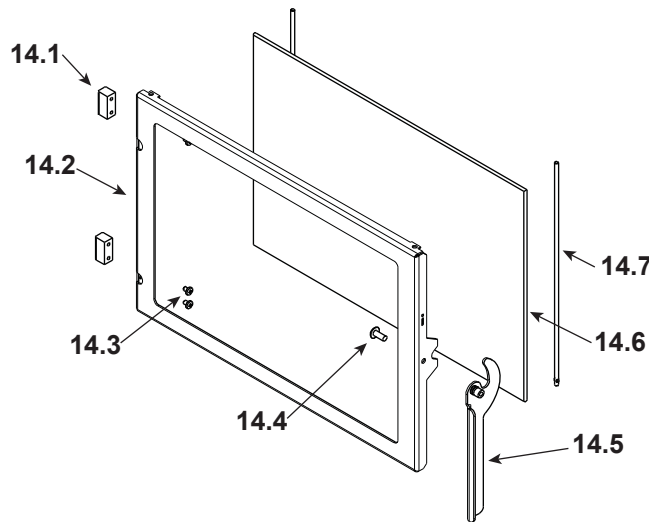
IMPORTANT: THIS IS DATED INFORMATION. Parts must be ordered from a dealer or distributor. **Hearth and Home Technologies does not sell directly to consumers.** Provide model number and serial number when requesting service parts from your dealer or distributor.



Stocked at Depot

ITEM	DESCRIPTION	COMMENTS	PART NUMBER	
11	Exhaust Combustion Blower, 45 CFM		812-4400	Y
	Gasket, Exhaust Combustion Blower (between...)	...Housing & Stove	SRV240-0812	Y
		...Motor & Housing	812-4710	Y
12	Ashcatcher - Must specify color	Black	413-0010BK	
		Mahogany	413-0010PMH	
		Porcelain Color	413-0010POR	
		Powder Coat	413-0010PWD	
13	Face	Black	413-0030BK	
		Mahogany	413-0030PMH	
		Porcelain Color	413-0030POR	
		Powder Coat	413-0030PWD	

#14 Door Assembly



14	Door Assembly	No longer available	SRV7021-007	
		Post 00701404108	SRV7021-031	
14.1	Hinge, Female		SRV450-2910	
14.2	Door Frame		SRV7021-114	
	Gasket, Tadpole, 3/8	10 ft.	842-5130	Y
14.3	Screw, Pan Head Philips, 10/32 x 1/4	Pkg of 24	229-1230/24	Y
14.4	Screw, Machine Screw 1/4-20 x 5/8	Pkg of 24	220-0440/24	Y
14.5	Door Latch Assembly		7021-006	
14.6	Glass Assembly (w/gasket) 17-1/4" W x 11-5/8" H	Pre 00701404108	SRV7001-038	Y
		Post 00701404108	SRV7021-032	Y
14.7	Retainer, Rope		SRV7001-192	Y
	Tape, 1/2" X 1/16, 10 Ft	10 ft.	240-0290/10	Y
	Tape, Door Corner	1 ft.	SRV7027-227	Y

Additional service part numbers appear on following page.

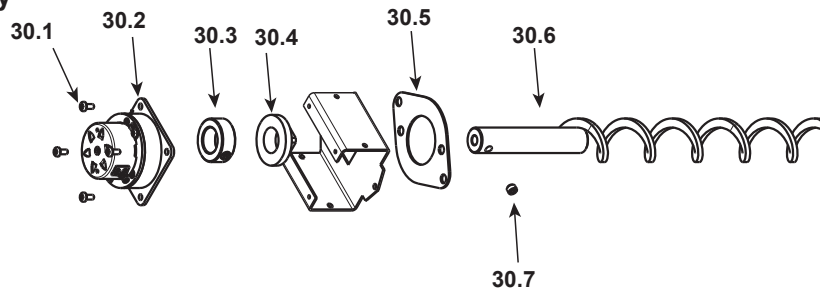
IMPORTANT: THIS IS DATED INFORMATION. Parts must be ordered from a dealer or distributor. **Hearth and Home Technologies does not sell directly to consumers.** Provide model number and serial number when requesting service parts from your dealer or distributor.



**Stocked
at Depot**

ITEM	DESCRIPTION	COMMENTS	PART NUMBER	
15	Ash Drawer Front		SRV7021-138	
16	Ash Drawer Gasket		SRV7021-139	
17	Ash Drawer		SRV7021-140	
18	Igniter Access Plate		SRV413-0380	
19	Convection Blower, 150 CFM		812-4900	Y
20	Shroud, Convection Blower		SRV413-0300	
21	Cast Retainer Lower Right Assembly		SRV7021-021	
22	Side	Black	SRV7021-125MBK	
		Mahogany	SRV7021-125PMH	
		Sienna Bronze	SRV7021-125CSB	
		No longer available	SRV7021-125CWL	
23	Convection Plenum Back		SRV7021-120	
24	Outer Skin Right		SRV7021-118	
25	Vacuum Switch		SRV7000-531	Y
26	Control Board 3 Speed		SRV7000-704	Y
27	Wire Harness / Junction Box/ Heat Output Switch		SRV7001-194	Y
	Block, Thermostat Term Dv		SRV230-0690	
28	Outer Skin Back		SRV7021-117	
29	Exhaust Transition Assembly		SRV7021-003	

#30 Feed Assembly



30	Feed Assembly		812-4760	Y
30.1	Screw 8-32 x 3/8	Pkg of 40	225-0500/40	Y
30.2	Feed Motor		812-4421	Y
30.3	Collar, Set, 7/8		229-0520	
30.4	Bearing, Feed System, Nylon		SRV7000-598	Y
30.5	Gasket, Feed Motor		SRV240-0731	Y
30.6	Feed Spring Assembly (Only)		SRV7001-046	Y
30.7	Screw 5/16 - 18 x 1/4	Pkg of 25	225-0550/25	Y

Additional service part numbers appear on following page.

IMPORTANT: THIS IS DATED INFORMATION. Parts must be ordered from a dealer or distributor. **Hearth and Home Technologies does not sell directly to consumers.** Provide model number and serial number when requesting service parts from your dealer or distributor.



**Stocked
at Depot**

ITEM	DESCRIPTION	COMMENTS	PART NUMBER	
	Ash Drawer Assembly - w/Door, Gasket, Ashpan		SRV7021-020	
	Baffle Assembly		7001-034	Y
	Bracket, Snap Disc		7005-253	
	Component Pack Assembly	Black	SRV7021-011	
		Mahogany	SRV7021-017	
		Sienna Bronze	SRV7021-016	
	Cleanout Tool		414-1140	Y
	Harness, Thermostat Wire		230-0810	
	Leveling Assembly		7000-000	
	Paint Touch-Up, 4 Oz	Matte Black	812-0910	
		Mahogany	855-1450	
		Sienna Bronze	TOUCHUP-CSB	
	Power Cord		812-1180	Y
	Deflector, Bottom Airwash		413-0680	
	Feed Adjustment Plate		7001-182	
	Fuse, 7 Amp	Pkg of 10	812-0380/10	Y
	Fuse, (for control Box)	Pkg of 10	812-3780/10	Y
	Gasket, Hopper, Front/Back		SRV7021-147	
	Hinge, Door, Male		SRV450-2810	
	Hopper Lid Switch Assembly		SRV7021-023	Y
	Hopper Lid Magnetic Switch		SRV7000-375	Y
	Hopper Top		SRV7021-108	
	Hose, Vacuum, 5/32 Id	3 Ft.	SRV240-0450	Y
	Log Set (Optional)		LOGS-30-OE	
	Log, Left Rear		7050-144	
	Log, Right Rear		7050-143	
	Magnet Bracket		SRV7021-129	
	Plate, Ash Cleanout		7001-186	
	Reset Button Assembly		SRV7000-040	
	Scraper Repair Kit		SCRAPER-CSTL	
	Snap Disc (#3)	Manual Reset	SRV230-1290	Y
	Snap Disc, 110-20 (#1)		SRV230-1220	Y
	Snap Disc (#2)	On Droptube	SRV7000-268	Y
	Wire Harness Hopper Switch		SRV7050-130	Y
	Wire Harness, Snap Disc		SRV7001-224	

Additional service part numbers appear on following page.

IMPORTANT: THIS IS DATED INFORMATION. Parts must be ordered from a dealer or distributor. **Hearth and Home Technologies does not sell directly to consumers.** Provide model number and serial number when requesting service parts from your dealer or distributor.



**Stocked
at Depot**

ITEM	DESCRIPTION	COMMENTS	PART NUMBER	
OPTIONAL ACCESSORIES				
	Collar, Offset, Top Vent		812-3570	
	Damper, 3 Inch - Tall Vertical Installs Only		PEL-DAMP3	Y
	Damper, 4 Inch - Tall Vertical Installs Only		PEL-DAMP4	
	Outside Air Kit, Rear		811-0872	
	Channel, Air Intake		SRV413-7040	
	Cover, Outside Air Kit, Floor		411-1071	
	Hose, Alum Flex, 2 Inch x 3 Ft	3 Ft	SRV200-0860	
	Outside Air Cap Assembly		7001-044	
	Outside Air Collar Assembly		SRV7001-045	
	Trim Plate, Outside Air Kit		412-7100	
	Pullrod Handle		PULLROD-HNDL	
	Thermostat, programmable		PROG-STAT	
	Smart-Batt II		841-0970	
	Smart-Stat II		841-0960	
	Thermostat, Mechanical		812-3760	Y
	Thermostat, Programmable		811-0520	
	Top Vent Adapter		TPVNT-2	
	Vent Adapter, 90, Cleanout		TPVNT-6	
	Vent Adapter, Rear		811-0620	
FASTENERS				
	Avk Rivnut Repair Kit - with 1/4-20 & 3/8-16 Rivnut Tools		RIVNUT-REPAIR	Y
	Bolt, Hex Head, 1/4-20 X 1	Pkg of 10	25221A/10	Y
	Hinge Pin (Rivet) Button Head	Pkg of 25	25272/25	Y
	Nut, Capped, Push, 1/4	Pkg of 24	7000-157/24	Y
	Nut, Keps Lock, 8-32	Pkg of 40	226-0060/40	Y
	Nut, Ser Flange Small 1/4-20	Pkg of 24	226-0130/24	Y
	Nut, Wing, 8-32	Pkg of 24	226-0160/24	Y
	Rivet, Right Iron, 1/4 X 1-1/4	Pkg of 25	229-0090/25	Y
	Screw, Flat Head Philips 8-32 X 1/2	Pkg of 10	832-0860	Y
	Screw, Pan Head Philips 10-32 X 3/8	Pkg of 40	21799A/40	Y
	Screw, Pan Head Philips 8-32 X 3/4	Pkg of 24	229-1100/24	Y
	Screw, Sheet Metal #8 X 1/2 S-Grip	Pkg of 40	12460/40	Y
	Thumbscrew, 1/4-20 X 3/4	Pkg of 10	844-5070	