

IMPORTANT: THIS IS DATED INFORMATION. Parts must be ordered from a dealer or distributor. **Hearth and Home Technologies does not sell directly to consumers.** Provide model number and serial number when requesting service parts from your dealer or distributor.

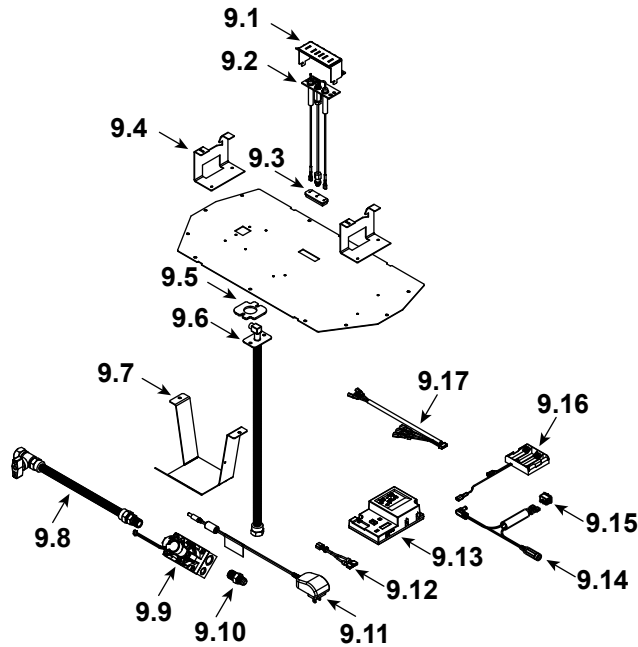


Stocked at Depot

ITEM	DESCRIPTION	COMMENTS	PART NUMBER	
1	Header Heat Shield		2118-120	
2	Non-Combustible Support		2617-104	
3	Top Fill		2617-135	
4	Non-Combustible Assembly		2617-079	
5	Base Pan		2617-111	
6	Burner Assembly		2617-007	Y
7	Glass Door Assembly		GLA-36HNG	Y
8	Lower Panel		2617-108	
9	Valve Assembly		Refer to Valve Page	
10	Junction box	Pre LC6531528	SRV4021-013	Y
		Post LC6531528	SRV2326-013	Y
11	Heat Shield, Junction Box		2491-129	
12	Heat Shield, Components		2617-209	

Additional service part numbers appear on following page.

#9 Valve Assembly



IMPORTANT: THIS IS DATED INFORMATION. Parts must be ordered from a dealer or distributor. **Hearth and Home Technologies does not sell directly to consumers.** Provide model number and serial number when requesting service parts from your dealer or distributor.



Stocked at Depot

ITEM	DESCRIPTION	COMMENTS	PART NUMBER	
9.1	Pilot Shield		2491-123	
9.2	Pilot Assembly NG		2106-169	Y
	Pilot Assembly Propane		2106-170	Y
9.3	Grommet		SRV2118-420	
9.4	Burner Support, Left and Right	1 Set	2491-169	
9.5	Gasket		2025-407	
9.6	Bulkhead W/Flex Tube		4021-428	Y
9.7	Valve Bracket		2491-153	
9.8	Flex Ball Valve Assembly, 12"		SRV302-320	Y
9.9	Valve NG		SRV2166-302	Y
	Valve Propane		2166-303	Y
9.10	Male Connector	Pkg of 5	303-315/5	Y
9.11	Transformer, 6 Volt Wall		SRV2326-131	Y
9.12	Jumper Wire		SRV2187-198	Y
9.13	Module, Control IFT		SRV2326-130	Y
9.14	Reset Switch Wire	Propane Only	2550-135	Y
9.15	Reset Switch	Propane Only	2206-298	Y
9.16	Battery Holder 4AA, IFT		SRV2326-134	Y
9.17	Harness, IFT 6 Pin Wiring		SRV2326-132	Y
	Orifice NG (#44C)		582-844	Y
	Orifice Propane (#55C)		582-855	Y

Additional service part numbers appear on following page.



Service Parts

COSMO36-IFT-B

No one builds a better fire

Beginning Manufacturing Date: Oct 2019

Ending Manufacturing Date: Active

IMPORTANT: THIS IS DATED INFORMATION. Parts must be ordered from a dealer or distributor.
Hearth and Home Technologies does not sell directly to consumers. Provide model number and serial number when requesting service parts from your dealer or distributor.



Stocked at Depot

Table with 5 columns: ITEM, DESCRIPTION, COMMENTS, PART NUMBER, and Stocked at Depot. Rows include parts like Auxiliary Side Bracket, Black Rock, Exhaust Restrictor, Gasket Assembly, Touch Up Paint, Thermostat Wire, Conversion Kit Propane, Pilot Orifice NG, Pilot Orifice Propane, Regulator NG, and Regulator Propane.