

IMPORTANT: THIS IS DATED INFORMATION. Parts must be ordered from a dealer or distributor. **Hearth and Home Technologies does not sell directly to consumers.** Provide model number and serial number when requesting service parts from your dealer or distributor.



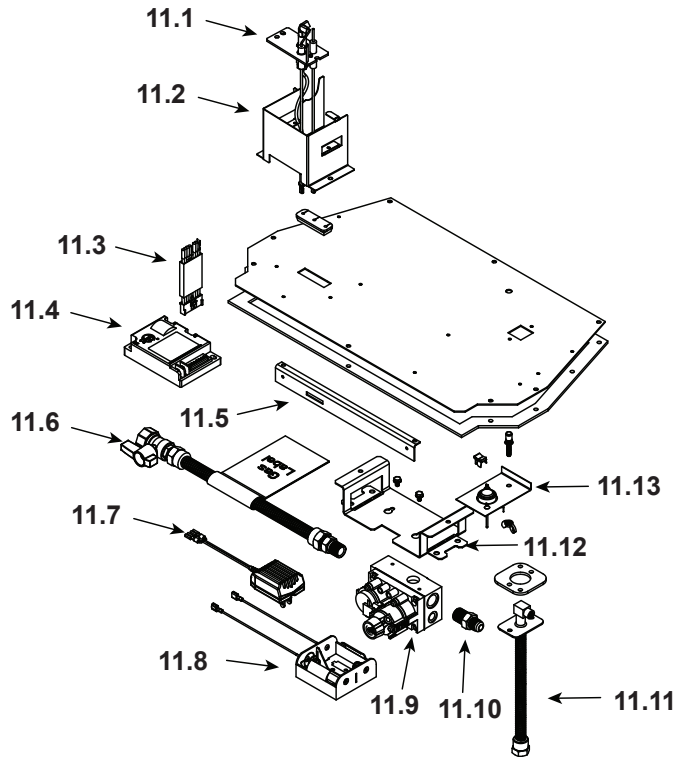
**Stocked  
at Depot**

ITEM	DESCRIPTION	COMMENTS	PART NUMBER	
1	Base Pan	No longer available	2203-100	
2	Burner		2203-007	Y
3	Burner Leg		2203-103	
4	On/Off Rheostat		SRV100-510A	Y
5	Control Panel	No longer available	2203-110	
6	Rheostat Knob		SRV100-512	Y
7	Glass Door Assembly		GLA-349	Y
8	Junction Box Assembly	No longer available	2203-300	Y
9	Blower		GFK-160A	
10	Cover Plate	No longer available	060-219	

No one builds a better fire

Beginning Manufacturing Date: Sept 2009  
Ending Manufacturing Date: Sept 2010

### #11 Valve Assembly



IMPORTANT: THIS IS DATED INFORMATION. Parts must be ordered from a dealer or distributor. **Hearth and Home Technologies does not sell directly to consumers.** Provide model number and serial number when requesting service parts from your dealer or distributor.



**Stocked  
at Depot**

ITEM	DESCRIPTION	COMMENTS	PART NUMBER	
11.1	Pilot Assembly NG		SRV2090-012	Y
	Pilot Assembly LP	Convert NG pilot assembly to LP pilot assembly using SRV2098-512 LP pilot orifice		Y
11.2	Pilot Bracket	<b>No longer available</b>	2203-112	
11.3	Wire Assembly		SRV593-590	Y
11.4	Control Module		SRV593-592	Y
11.5	Bracket	<b>No longer available</b>	319-120	
11.6	Flex Ball Valve Assembly		SRV302-320	Y
11.7	Transformer		SRV593-593	Y
11.8	Battery Pack		SRV593-594	Y
11.9	Valve NG		750-500	Y
	Valve LP		750-501	Y
11.10	Brass Connector	PKG of 5	303-315/5	Y
11.11	Flexible Gas Connector		SRV7000-156	Y
11.12	Valve Bracket	<b>No longer available</b>	319-146	
11.13	Temp Sensor Switch		SRV046-018A	Y
	Orifice NG (#42C)		582-842	Y
	Orifice LP (#53C)		582-853	Y

Additional service part numbers appear on following page.

