

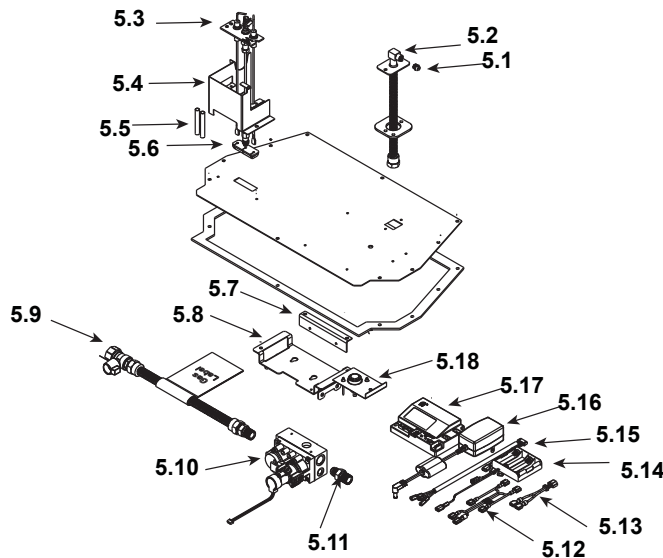
**IMPORTANT: THIS IS DATED INFORMATION.** Parts must be ordered from a dealer or distributor. **Hearth and Home Technologies does not sell directly to consumers.** Provide model number and serial number when requesting service parts from your dealer or distributor.



**Stocked at Depot**

ITEM	DESCRIPTION	COMMENTS	PART NUMBER	
1	Termination Plate Assembly	Pre 0023696931	2205-012	
		Post 0023696931	2205-013	
	Flex Pipe Handle		438-351	
	Gasket	Pre 0023696931	2206-401	
		Post 0023696931	2206-178	
2	Burner Assembly		2204-007	Y
3	Burner Leg	Pre 0023959532	2238-103	
		Post 0023959532	2238-106	
4	Base Pan	Pre 0023959532	2238-100	
		Post 0023959532	2238-107	
5	Valve Assembly		Refer to valve page	
6	Glass Door Assembly		GLA-2205	Y
7	Rheostat Knob		SRV100-512	Y
8	Control Panel		2205-129	
9	On/Off Rheostat		2206-800	Y
10	Blower		GFK-210-C	
11	Wire Assembly		2206-068	Y
12	Power cord Assembly		2201-017	Y
	Fuse Wire Assembly	Qty 2 req	2206-085	Y

### #5 Valve Assembly



IMPORTANT: THIS IS DATED INFORMATION. Parts must be ordered from a dealer or distributor. **Hearth and Home Technologies does not sell directly to consumers.** Provide model number and serial number when requesting service parts from your dealer or distributor.



Stocked at Depot

ITEM	DESCRIPTION	COMMENTS	PART NUMBER	
5.1	Orifice NG (#38C)		582-838	Y
	Orifice Propane (#52C)		SRV582-852	Y
5.2	Flexible Gas Connector		SRV7000-156	Y
5.3	Pilot Assembly NG		SRV2090-012	Y
	Pilot Assembly Propane		2090-013	Y
5.4	Pilot Bracket		2239-112	
5.5	Pilot Sleeves		2206-151	
5.6	Grommet		SRV2118-420	
5.7	Control Panel Bracket		2205-128	
5.8	Valve Bracket		2205-146	
5.9	Flex Ball Valve Assembly		SRV302-320	Y
5.10	Valve NG		2166-302	Y
	Valve Propane		2166-303	Y
5.11	Brass Connector	PKG of 5	303-315/5	Y
5.12	Remote Wire Assembly		2103-013	Y
5.13	Jumper wire		SRV2187-198	Y
5.14	**Battery Pack		SRV2166-323	Y
5.15	Wire Assembly		2166-304	Y
5.16	Transformer		SRV2326-131	Y
5.17	Control Module		2166-347	Y
5.18	Temp Sensor Switch		046-018A	Y

\*\*Fuse for battery pack can be sourced locally, not a warranty item. Specs are 250v, 1A fuse, 3/4" long

Additional service part numbers appear on following page.

