

IMPORTANT: THIS IS DATED INFORMATION. Parts must be ordered from a dealer or distributor. **Hearth and Home Technologies does not sell directly to consumers.** Provide model number and serial number when requesting service parts from your dealer or distributor.



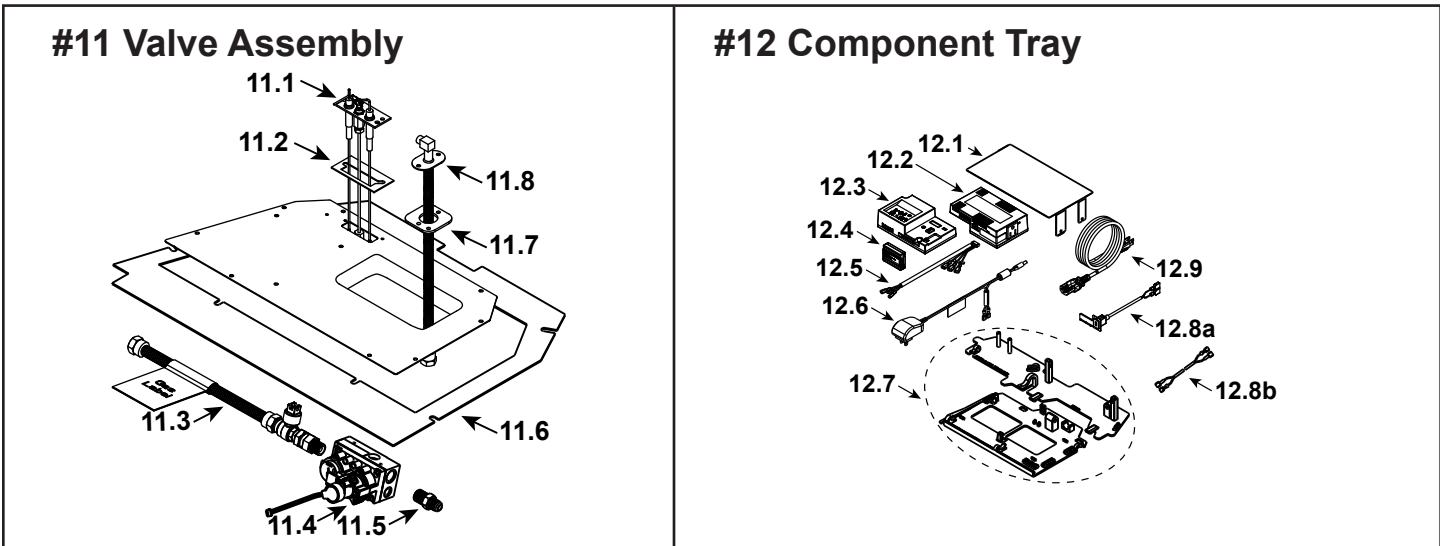
Stocked at Depot

ITEM	DESCRIPTION	COMMENTS	PART NUMBER	
1	Slide Plate Assembly		2532-014	
	Tool, Slide Plate (Multi-purpose)		2532-140	
	Gasket		2532-113	
2	Glass Clip Assembly, Top	Qty 2 req	2155-046	
3	Baffle, Firebox		2535-138	
4	Glass Clip Assembly, Bottom	Qty 2 req	2532-009	
5	Pilot Shield		2535-120	
6	Burner Assembly		2535-007	Y
7	Base Pan		2535-130	
8	Seal, Glass Frame		2532-122	
9	Glass Door Assembly		GLA-2532	Y
10	Power Cord		2201-024	Y
	Fan		GFK-160A	Y

No one builds a better fire

Beginning Manufacturing Date: March 2019

Ending Manufacturing Date: Active



IMPORTANT: THIS IS DATED INFORMATION. Parts must be ordered from a dealer or distributor. **Hearth and Home Technologies does not sell directly to consumers.** Provide model number and serial number when requesting service parts from your dealer or distributor.



Stocked at Depot

ITEM	DESCRIPTION	COMMENTS	PART NUMBER	
11.1	Pilot Assembly NG		2550-013	Y
	Pilot Assembly Propane		2550-014	Y
11.2	Pilot Gasket		2532-134	
11.3	Flex Ball Valve Assembly		2532-081	Y
11.4	Valve NG		SRV2166-302	Y
	Valve Propane		2166-303	Y
11.5	Male Connector	Pkg of 5	303-315/5	Y
11.6	Gasket, Valve Plate		2532-131	
11.7	Gasket, Bulkhead		438-407	
11.8	Bulkhead w/Flex Tube		SRV7000-156	Y
	Orifice NG (#38C)		582-838	Y
	Orifice Propane (#.058)		SRV4021-602	Y
12.1	Component Heat Shield		2532-144	Y
12.2	Module, B Type AC		SRV2326-150	Y
12.3	Module, IFT Control		SRV2326-130	Y
12.4	Module, RF FCC		SRV2326-120	Y
12.5	Harness, IFT 6 Pin Wiring		SRV2326-132	Y
12.6	6 Volt DC Power Adapter	Post LC5818239	2326-191	Y
	Transformer, 6 Volt Wall	Pre LC5818239	SRV2326-131	Y
	Jumper Wire, 36" Male/Female	Pre LC5818239	2159-310	Y
	Wall Switch Jumper Wire	Pre LC5818239	SRV2179-300	Y
12.7	Tray, Component & Wire		2532-172	Y
12.8a	Assembly, USB-C Bracket	SN Range LC5673022 - LC6494692	2532-301	Y
12.8b	40" Wire Harness	Post LC6494692	SRV2531-140	Y
12.9	Cable, B Type AC Module		SRV2326-152	Y

Additional service part numbers appear on following page.

