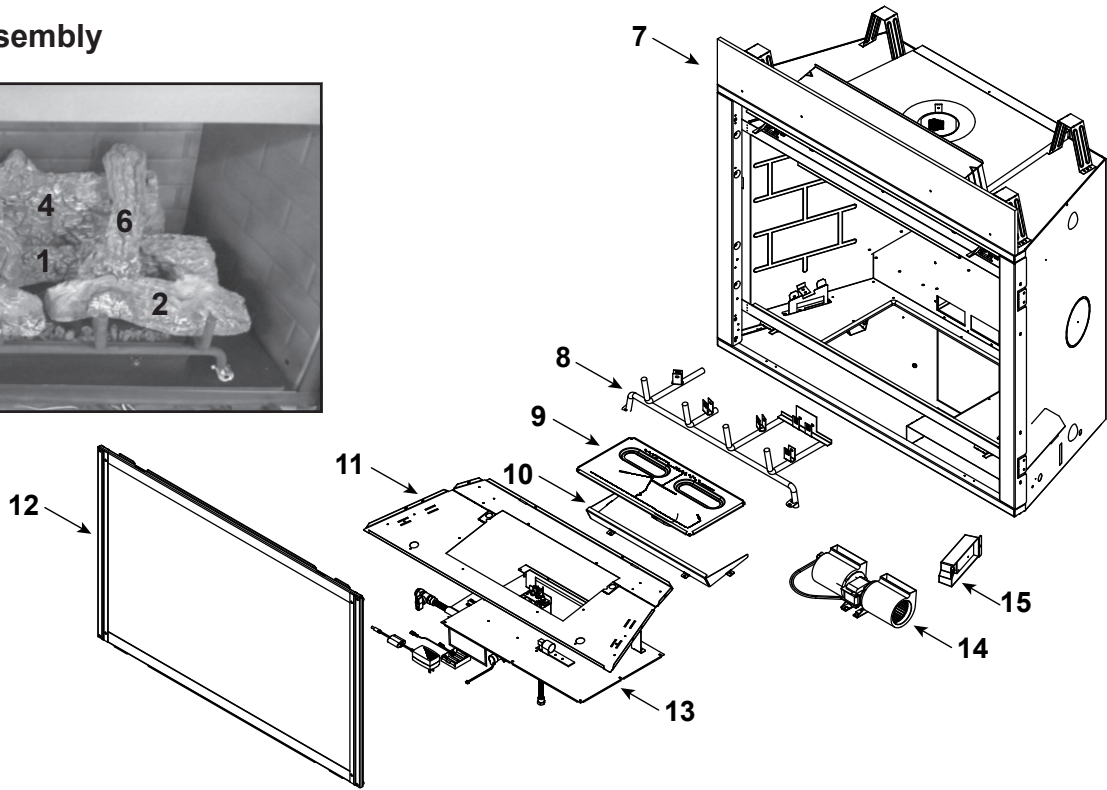
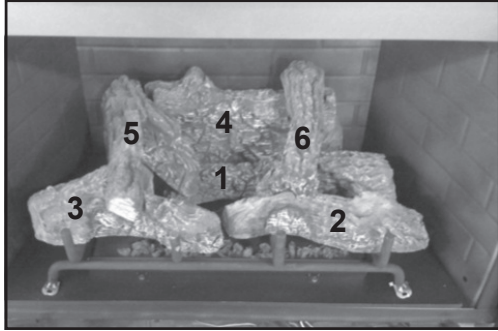


Caliber 42" Gas Fireplace - DV

Beginning Manufacturing Date: Mar 2018
Ending Manufacturing Date: May 2023

CNXT4842IFTH(Herringbone) (Ending Manufacturing Date: March 2020)
CNXT4842IFTT(Traditional) (Ending Manufacturing Date: May 2023)
CNXT4842IFTSG(Steely Gray) (Ending Manufacturing Date: May 2023)

Log Set Assembly



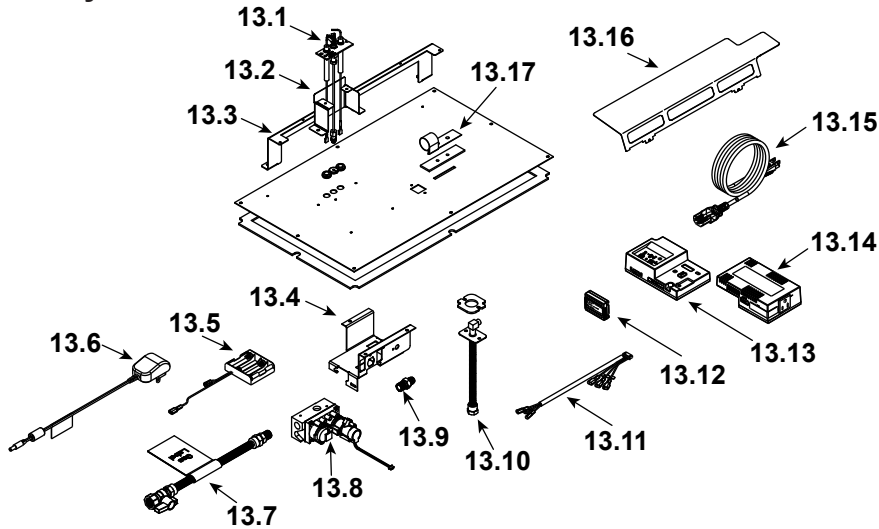
IMPORTANT: THIS IS DATED INFORMATION. Parts must be ordered from a dealer or distributor. **Hearth and Home Technologies does not sell directly to consumers.** Provide model number and serial number when requesting service parts from your dealer or distributor.

Stocked at Depot

ITEM	DESCRIPTION	COMMENTS	PART NUMBER	
	Log Assembly		LOGS-4842	Y
1	Log #1		SRV2208-702	
2	Log #2		SRV2208-703	
3	Log #3		SRV2208-704	
4	Log #4		SRV2211-073	
5	Log #5		SRV2208-705	
6	Log #6		SRV2208-706	
7	Insulation Board		2170-136	
8	Grate Assembly		SRV2211-015	
9	Burner Pan Assembly		SRV2211-007	Y
10	Burner Skirt		SRV2208-102-BK	
11	Base Pan		2361-100	
12	Glass Assembly		GLA-8CLX	Y
13	Valve Assembly	Refer to valve page		
14	Blower Assembly		GFK-160C	
	Gas Fan Control Module		SRV4021-708	Y
15	Junction Box (Plastic)		SRV4021-013	Y
	Surround Assembly	No longer available	2170-019	

Additional service part numbers appear on following page.

#13 Valve Assembly



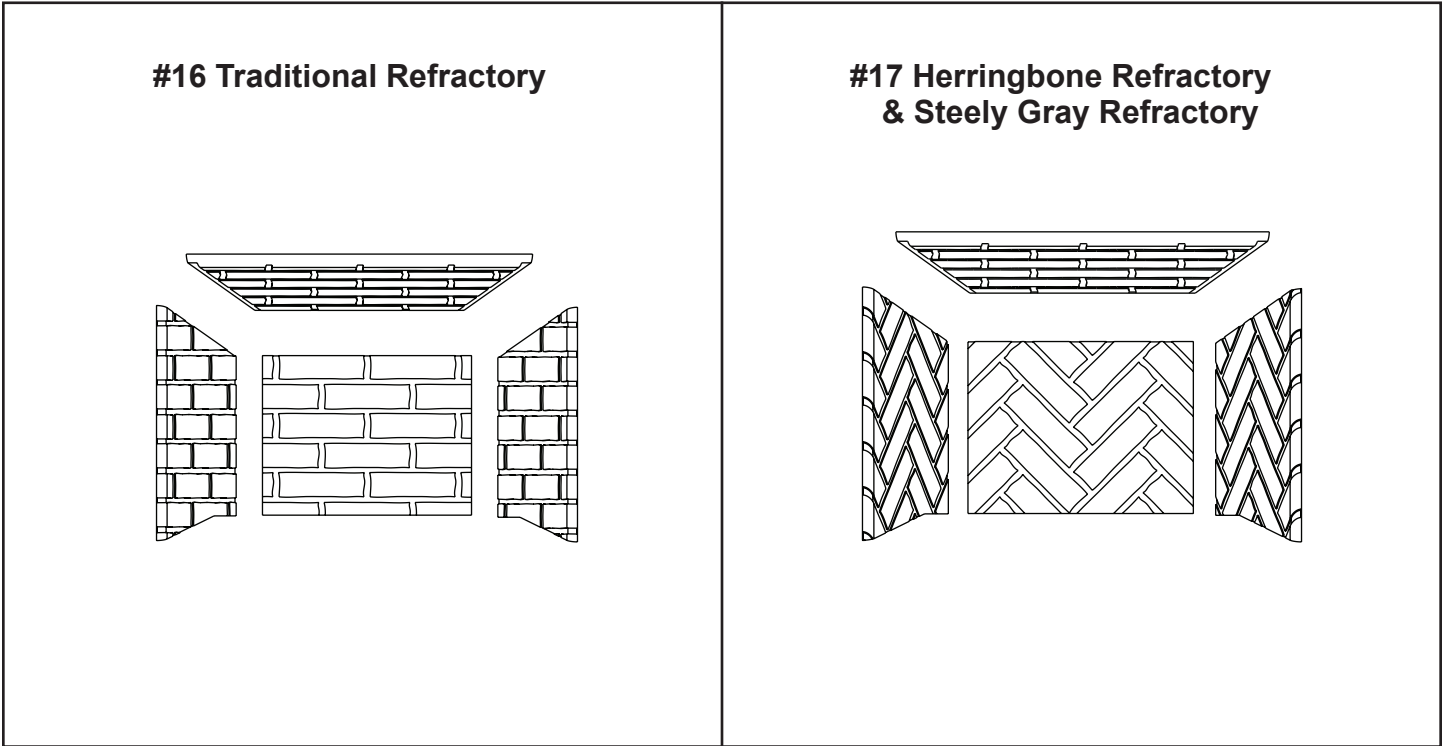
IMPORTANT: THIS IS DATED INFORMATION. Parts must be ordered from a dealer or distributor. **Hearth and Home Technologies does not sell directly to consumers.** Provide model number and serial number when requesting service parts from your dealer or distributor.

Stocked at Depot

ITEM	DESCRIPTION	COMMENTS	PART NUMBER	
13.1	Pilot Assembly - NG		2397-012	Y
	Pilot Assembly - Propane		2397-013	Y
	Pilot Tube		SRV485-301	Y
13.2	Pilot Bracket		2208-101	
13.3	Burner Leg		2208-106	
13.4	Valve Bracket		2118-104	
13.5	Battery Pack**		SRV2326-134	Y
13.6	Transformer, 6 Volt Wall		SRV2326-131	Y
13.7	Flex Ball Valve Assembly		SRV302-320	Y
13.8	Valve - NG		SRV2166-302	Y
	Valve - Propane		2166-303	Y
13.9	Male Connector	Pkg of 5	303-315/5	Y
13.10	Bulkhead w/flex		SRV7000-156	Y
13.11	Wire Harness, IFT 6 Pin		SRV2326-132	Y
13.12	Module, RF FCC		SRV2326-120	Y
13.13	Module, IFT Control		SRV2326-130	Y
13.14	Module, B Type AC		SRV2326-150	Y
13.15	Cable, B Type AC Module		SRV2326-152	Y
13.16	Heat Shield		2208-120	
13.17	Shutter Bracket Assembly		2118-121	Y
	Component Tray		2279-180	
	Orifice (#30C) - NG		582-830	Y
	Orifice (#50C) - Propane		582-850	Y

**Fuse for battery pack can be sourced locally, not a warranty item. Specs are 250v, 3A fuse, 3/4" long

Additional service part numbers appear on following page.



IMPORTANT: THIS IS DATED INFORMATION. Parts must be ordered from a dealer or distributor. **Hearth and Home Technologies does not sell directly to consumers.** Provide model number and serial number when requesting service parts from your dealer or distributor.

Stocked at Depot

ITEM	DESCRIPTION	COMMENTS	PART NUMBER	
16	Refractory (Includes Top, Back, Left and Right Side)	Traditional	SRV2361-080	
17	Refractory (Includes Top, Back, Left and Right Side)	Herringbone	SRV2361-081	
		No longer available	BRICK-42CNXT-SG	
	Clips, Hood	Pkg of 24	047-805-24	Y
	Flue Restrictor	Qty 2 req	385-128	
	Firescreen Front	Black	SIM-42C-BK	
	Gasket Assembly Includes: Burner Neck, Vent, Valve, LED, and Air Shutter Gaskets		2166-081	
	Glass Latch Assembly	Qty 4 req	2155-045	Y
	Lava Rock Bag Assembly		SRV4040-094	
	Lava Rock		4021-297	
	Mineral Wool		SRV14333	
	RC400 Remote		SRV2326-110	
	Conversion Kit NG		NGK-CNXT42	Y
	Conversion Kit Propane		LPK-CNXT42	
	Orifice, Pilot NG		SRV593-528	Y
	Orifice, Pilot Propane		SRV593-527	Y
	Regulator NG		NGK-DXV-50	Y
	Regulator Propane		SRVLPK-DXV-50	Y