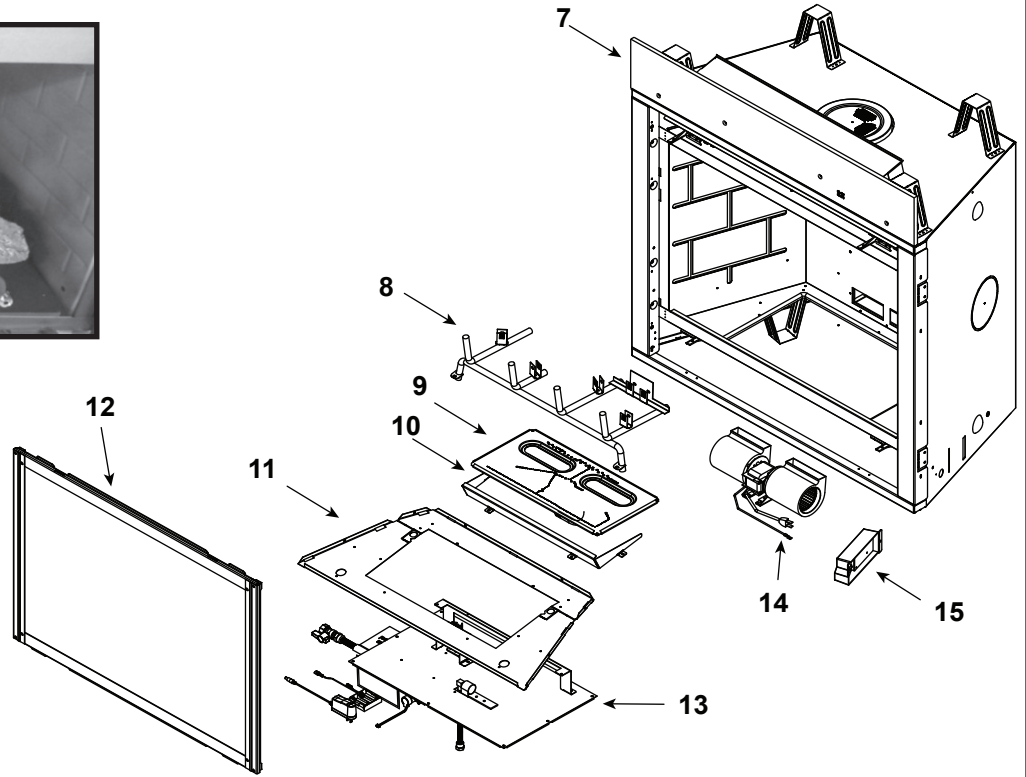
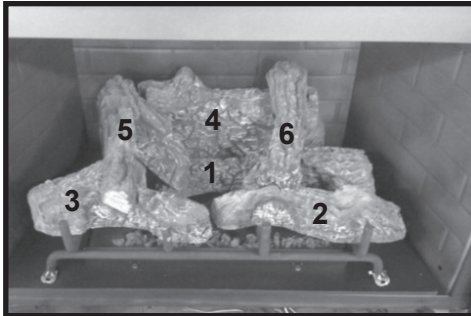


Log Set Assembly

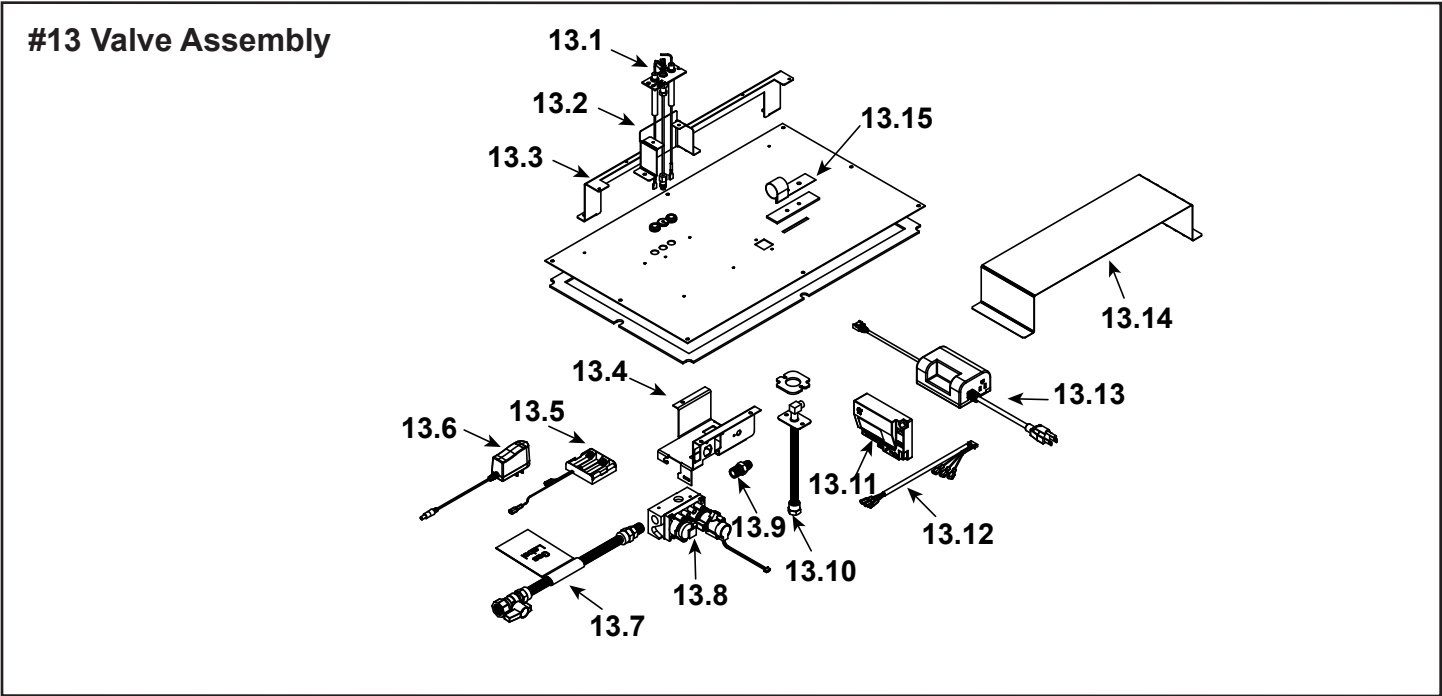


IMPORTANT: THIS IS DATED INFORMATION. Parts must be ordered from a dealer or distributor. **Hearth and Home Technologies does not sell directly to consumers.** Provide model number and serial number when requesting service parts from your dealer or distributor.



Stocked at Depot

ITEM	DESCRIPTION	COMMENTS	PART NUMBER	
	Log Assembly		LOGS-4236	Y
1	Log #1	No longer available, Must order complete assembly	SRV2208-702	
2	Log #2		SRV2208-703	
3	Log #3		SRV2208-704	
4	Log #4		SRV2208-073	
5	Log #5		SRV2208-705	
6	Log #6		SRV2208-706	
7	Insulation Board		2166-136	
8	Grate Assembly		SRV2208-015	
9	Burner Pan Assembly		SRV2208-007	Y
10	Burner Skirt		SRV2208-102-BK	
11	Base Pan		2208-100	
12	Glass Assembly		GLA-6GLX	Y
13	Valve Assembly	Refer to valve page		
14	Blower Assembly		GFK-160C	
15	Junction Box (Plastic)		SRV4021-013	Y
	Surround Assembly	No longer available	2166-019	



IMPORTANT: THIS IS DATED INFORMATION. Parts must be ordered from a dealer or distributor. **Hearth and Home Technologies does not sell directly to consumers.** Provide model number and serial number when requesting service parts from your dealer or distributor.

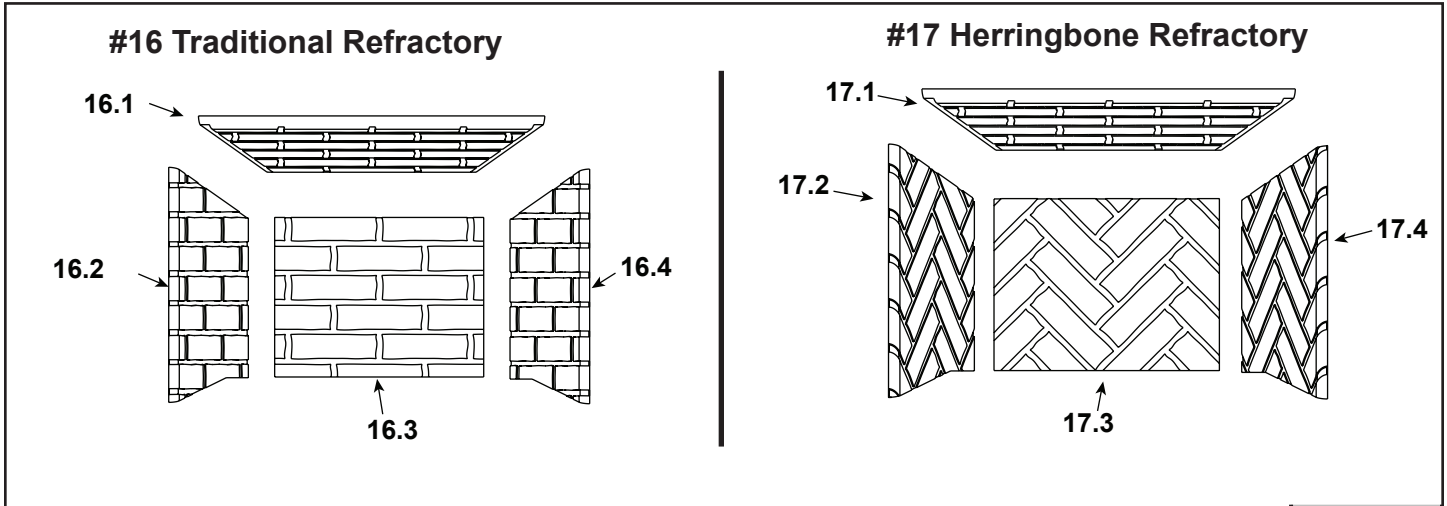


Stocked at Depot

ITEM	DESCRIPTION	COMMENTS	PART NUMBER	
13.1	Pilot Assembly - NG		2208-012	Y
	Pilot Assembly - LP		2208-013	Y
	Pilot Tube		SRV485-301	Y
13.2	Pilot Bracket		2208-101	
13.3	Burner Leg		2208-106	
13.4	Valve Bracket		2118-104	
13.5	Battery Pack**		SRV2166-323	Y
13.6	Transformer, 6v Wall		SRV2326-131	Y
13.7	Flex Ball Valve Assembly		SRV302-320	Y
13.8	Valve - NG		SRV2166-302	Y
	Valve - LP		2166-303	Y
13.9	Male Connector	Pkg of 5	303-315/5	Y
13.10	Bulkhead w/flex Control Assembly		SRV7000-156	Y
	Control Assembly		SRV2208-010	Y
13.11	Module		2166-347	Y
13.12	Wire Harness		2166-304	Y
13.13	Auxiliary Box		2166-325	Y
13.14	Heat Shield		2208-119	
13.15	Shutter Bracket Assembly		2118-121	Y
	Orifice (.0124) - NG		582-8124	Y
	Orifice (#50C) - LP		582-850	Y

**Fuse for battery pack can be sourced locally, not a warranty item. Specs are 250v, 1A fuse, 3/4" long

Additional service part numbers appear on following page.



IMPORTANT: THIS IS DATED INFORMATION. Parts must be ordered from a dealer or distributor. **Hearth and Home Technologies does not sell directly to consumers.** Provide model number and serial number when requesting service parts from your dealer or distributor.



Stocked at Depot

ITEM	DESCRIPTION	COMMENTS	PART NUMBER	
16	Traditional Refractory		SRV2360-080	
16.1	Refractory, Top	No longer available	SRV2208-713	
16.2	Refractory Side, Left	No longer available	SRV2208-711	
16.3	Refractory Back	No longer available	SRV2208-710	
16.4	Refractory Side, Right	No longer available	SRV2208-712	
17	Herringbone Refractory		SRV2360-081	
17.1	Refractory, Top	No longer available	SRV2208-717	
17.2	Refractory Side, Left	No longer available	SRV2208-715	
17.3	Refractory Back	No longer available	SRV2208-714	
17.4	Refractory Side, Right	No longer available	SRV2208-716	
	Clips, Hood	Pkg of 24	047-805-24	Y
	Flue Restrictor		385-128	
	Gasket Assembly Includes: Burner Neck, Vent, Valve, LED, and Air Shutter Gaskets		2166-081	
	Glass Latch Assembly	Qty 4 req	2155-045	
	Lava Rock Bag Assembly		4040-094	
	Lava Rock		4021-297	
	Mineral Wool		SRV14333	
	Vermiculite (small)		28746	
	Remote		RC300-HTL	
	Simon Front		SIM-36C-BK	
	Conversion Kit NG		DCKVN-CNXT36	Y
	Conversion Kit LP		DCKVP-CNXT36	Y
	Orifice, Pilot NG		SRV593-528	Y
	Orifice, Pilot LP		SRV593-527	Y
	Regulator NG		NGK-DXV-50	Y
	Regulator LP		SRVLPK-DXV-50	Y