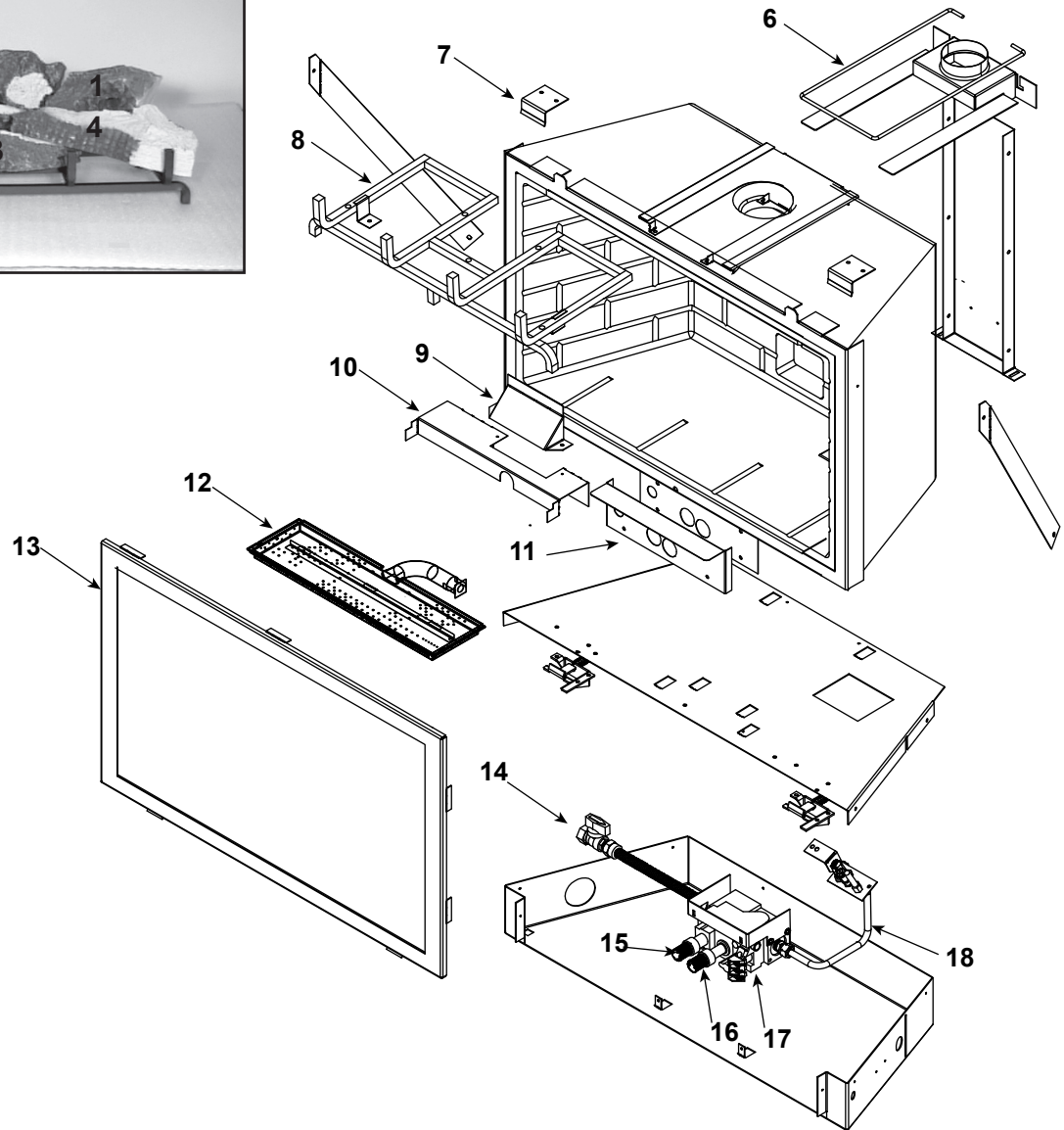
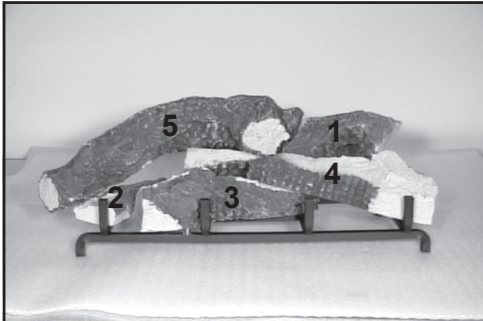


## Log Set Assembly



IMPORTANT: THIS IS DATED INFORMATION. Parts must be ordered from a dealer or distributor. **Hearth and Home Technologies does not sell directly to consumers.** Provide model number and serial number when requesting service parts from your dealer or distributor.



Stocked at Depot

ITEM	DESCRIPTION	COMMENTS	PART NUMBER	
	Log Set Assembly		LOGS-CFXIN	Y
1	Log 1	<b>No longer available, Must order complete assembly</b>	SRV573-701	
2	Log 2		SRV573-703	
3	Log 3		SRV573-704	
4	Log 4		SRV573-705	
5	Log 5		SRV573-702	

No one builds a better fire

Beginning Manufacturing Date: June 1999

Ending Manufacturing Date: Nov 2001

IMPORTANT: THIS IS DATED INFORMATION. Parts must be ordered from a dealer or distributor. **Hearth and Home Technologies does not sell directly to consumers.** Provide model number and serial number when requesting service parts from your dealer or distributor.



**Stocked  
at Depot**

ITEM	DESCRIPTION	COMMENTS	PART NUMBER	
6	Slide Plate Assembly/ with Handle	No longer available	573-118A	
7	Glass Tabs	No longer available	573-124	
8	Grate Assembly	No longer available	SRV573-360A	
9	Baffle -Top	No longer available	573-148	
10	Baffle -Bottom	No longer available	573-146	
11	Valve Cover Plate	No longer available	768-120	
12	Burner NG		573-326A	Y
	Burner LP		573-325A	Y
13	Glass Door Assembly	No longer available	GLA-CFXIN	
14	Flex Ball Valve Assembly		SRV302-320	Y
15	Pilot Control Knob	No longer available	571-530	
16	Flame Control Knob	No longer available	571-531	
18	Burner Tube		477-301A	Y
17	Valve NG		SRV230-0710	Y
	Valve LP		SRV230-0720	Y
	Burner Orifice NG (#32B)	No longer available	573-800	
	Burner Orifice LP (#49B)		047-801	Y
	Decorative Front	No longer available	FBINR-4027-BK	
		No longer available	FBINR-4232-BK	
	Fiber Patch Kit		SRV-PACK-CFX	
	Paint Touch-up Kit	No longer available	TAN-KIT	
	Mineral Wool		050-721	
	On/Off Rocker Switch		SRV2206-299	Y
	Piezo Ignitor		291-513	Y
	Pilot Assembly NG		2103-010	Y
	Pilot Assembly LP		2103-011	Y
	Thermocouple	For NG - 2103-511 / For LP - 571-511		Y
	Thermopile		2103-512	Y
	Remote		SMART-STAT-HHT	
	Conversion Kit NG	No longer available	NGK-CFXIN	
	Conversion Kit LP	No longer available	LPK-CFXIN	
	Regulator NG		SRV230-1570	Y
	Regulator LP		SRV230-1520	Y
	Pilot Orifice NG		SRV2103-116	Y
	Pilot Orifice LP	No longer available	571-517	