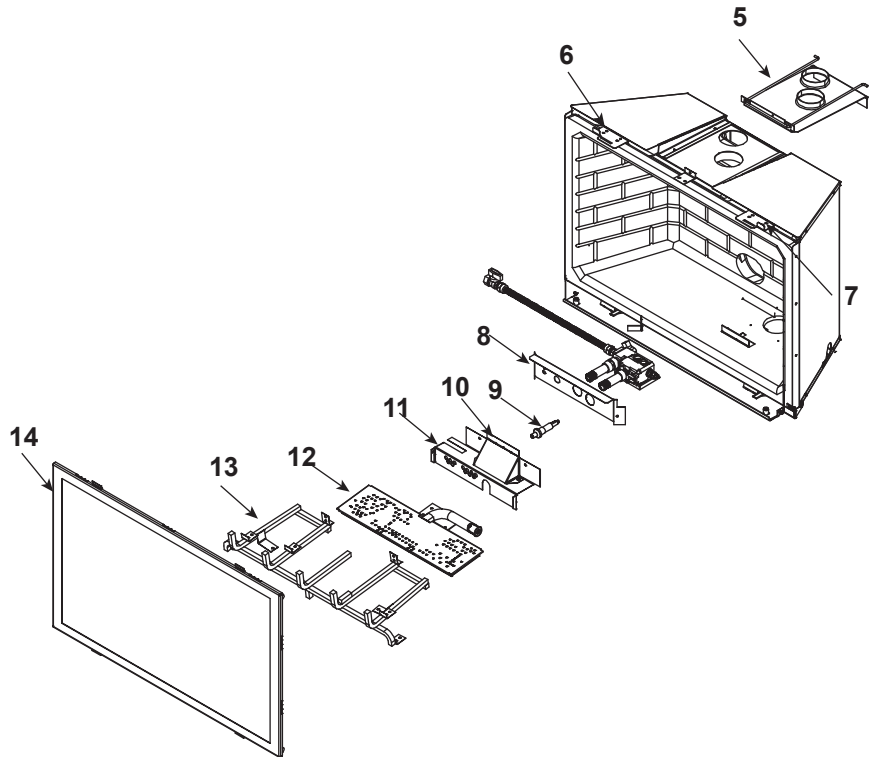


Log Set Assembly



IMPORTANT: THIS IS DATED INFORMATION. Parts must be ordered from a dealer or distributor. **Hearth and Home Technologies does not sell directly to consumers.** Provide model number and serial number when requesting service parts from your dealer or distributor.



Stocked at Depot

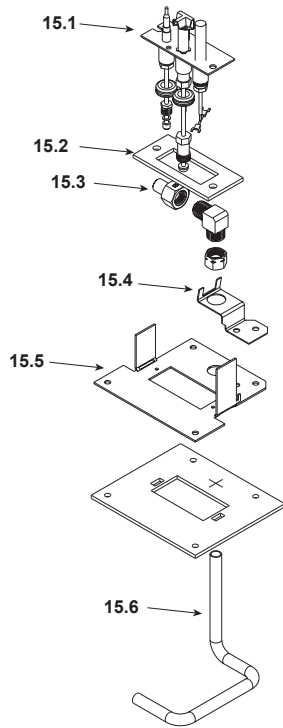
ITEM	DESCRIPTION	COMMENTS	PART NUMBER	
	Log Set Assembly		LOGS-CFXINB	Y
1	Log 1	No longer available, Must order complete assembly	SRV773-701	
2	Log 2		SRV773-702	
3	Log 3		SRV768-704	
4	Log 4		SRV573-702	
5	Air Passage	No longer available	783-108A	
	Slide Plate Handle	No longer available	768-351	
6	Glass Tab Left	No longer available	783-134	
7	Glass Tab right	No longer available	783-133	
8	Valve Cover Plate	No longer available	768-120	
9	Piezo Ignitor		291-513	Y
10	Baffle Top	No longer available	768-148	
11	Baffle Bottom	No longer available	768-146	
12	Burner NG		773-176A	Y
	Burner LP		773-175A	Y
13	Log Grate		773-360A	
14	Glass Door Assembly NG	No longer available	GLA-CFXINB	
		No longer available	GLA-FBIN	
	Glass Door Assembly LP	No longer available	GLA-CFXINB	
		No longer available	GLA-FBIN	

No one builds a better fire

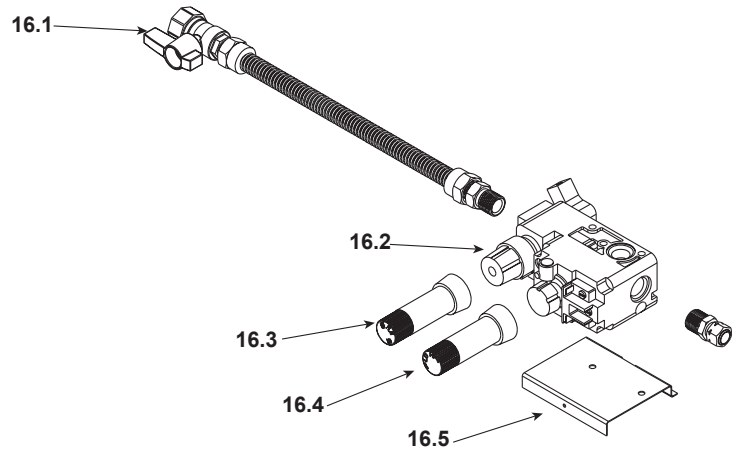
Beginning Manufacturing Date: Sept 2001

Ending Manufacturing Date: Dec 2002

#15 Pilot Assembly



#16 Valve Assembly



IMPORTANT: THIS IS DATED INFORMATION. Parts must be ordered from a dealer or distributor. **Hearth and Home Technologies does not sell directly to consumers.** Provide model number and serial number when requesting service parts from your dealer or distributor.



**Stocked
at Depot**

ITEM	DESCRIPTION	COMMENTS	PART NUMBER	
15.1	Pilot Assembly NG		4021-736	Y
	Pilot Assembly LP		4021-737	Y
	Pilot Tube		SRV485-301	Y
	Thermocouple		446-511	Y
	Thermopile		2103-512	Y
15.2	Gasket, Pilot Bracket	No longer available	SRV768-432	
15.3	Burner Orifice NG (#31A)	No longer available	506-800	
	Burner Orifice LP (#49A)	No longer available	065-801	
15.4	Bracket: Orifice	No longer available	778-169	
15.5	Pilot Bracket	No longer available	783-170	
15.6	Burner Tube		477-301A	Y
16.1	Flex Ball Valve Assembly		SRV302-320	Y
16.2	Valve NG		060-522	Y
	Valve LP		060-523	Y
16.3	Pilot Control Knob	No longer available	571-530	
16.4	Flame Control Knob	No longer available	571-531	
16.5	Bracket: Valve	No longer available	773-145	

Additional service parts on following page.



Service Parts

CFX-IN-B

No one builds a better fire

Beginning Manufacturing Date: Sept 2001
Ending Manufacturing Date: Dec 2002

IMPORTANT: THIS IS DATED INFORMATION. Parts must be ordered from a dealer or distributor. Hearth and Home Technologies does not sell directly to consumers. Provide model number and serial number when requesting service parts from your dealer or distributor.



Stocked at Depot

Table with 5 columns: ITEM, DESCRIPTION, COMMENTS, PART NUMBER, Stocked at Depot. Rows include items like Decorative Front, Fan Kit, Fiber Patch Kit, Paint Touch-up Kit, Junction Box, Mineral Wool, On/Off Rocker Switch, Remote, Conversion Kit NG, Conversion Kit LP, Regulator NG, Regulator LP, Pilot Orifice NG, and Pilot Orifice LP.