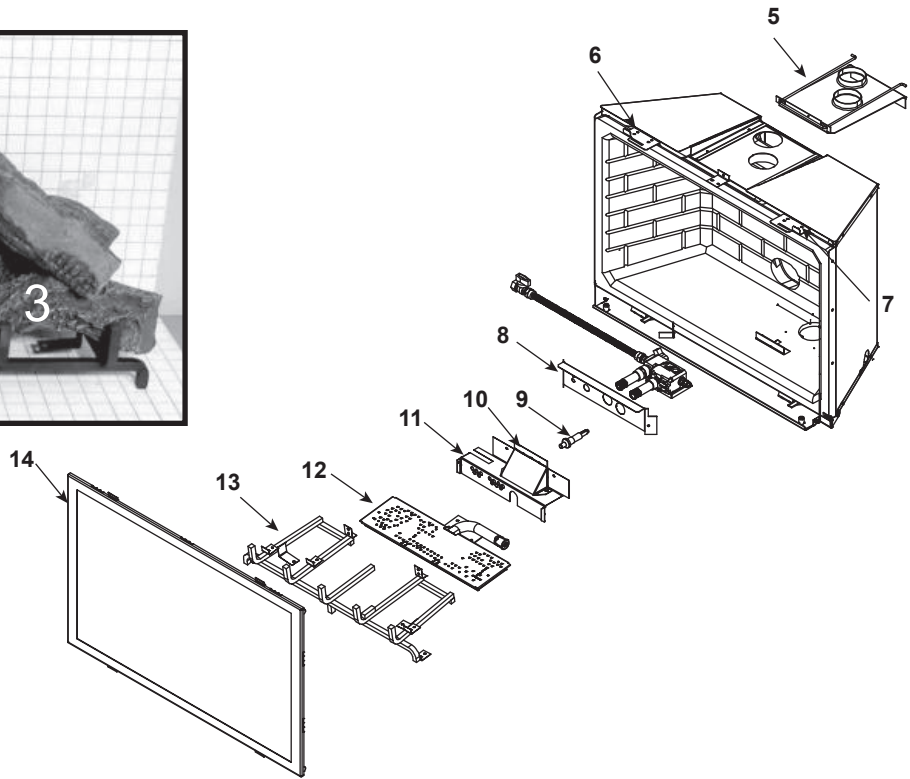
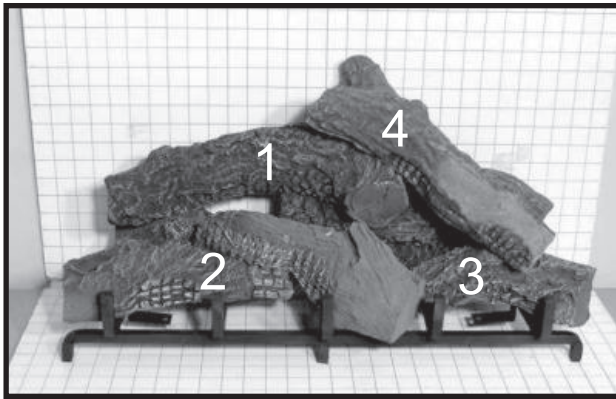


### Log Set Assembly



IMPORTANT: THIS IS DATED INFORMATION. Parts must be ordered from a dealer or distributor. **Hearth and Home Technologies does not sell directly to consumers.** Provide model number and serial number when requesting service parts from your dealer or distributor.



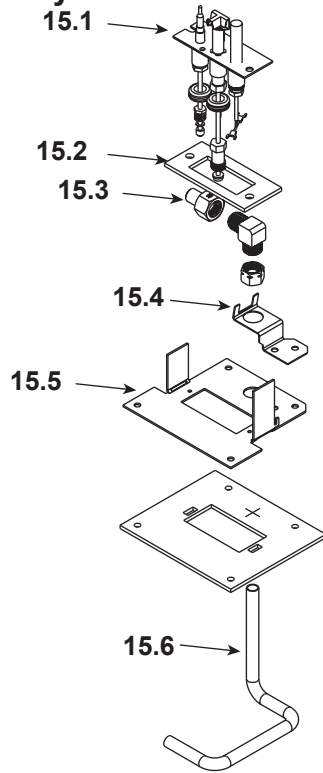
**Stocked at Depot**

ITEM	DESCRIPTION	COMMENTS	PART NUMBER	
	Log Set Assembly		LOGS-CFXGB	Y
1	Log 1	<b>No longer available, Must order complete assembly</b>	SRV768-701	
2	Log 2		SRV768-704	
3	Log 3		SRV768-705	
4	Log 4		SRV582-705	
5	Air Passage	<b>No longer available</b>	783-108A	
	Slide Plate Handle	<b>No longer available</b>	768-351	
6	Glass Tab Left	<b>No longer available</b>	783-134	
7	Glass Tab right	<b>No longer available</b>	783-133	
8	Valve Cover Plate	<b>No longer available</b>	768-120	
9	Piezo Ignitor		291-513	Y
10	Baffle Top	<b>No longer available</b>	768-148	
11	Baffle Bottom	<b>No longer available</b>	768-146	
12	Burner NG		778-176A	Y
	Burner LP		768-175A	Y
13	Log Grate	<b>No longer available</b>	768-360A	
14	Glass Door Assembly NG	<b>No longer available</b>	GLA-CFXGB	
		Post 002108516	GLA-FBG	

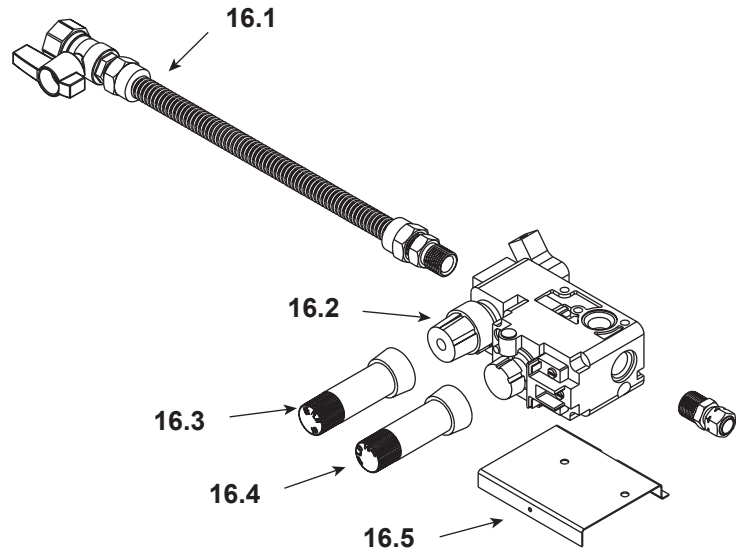
No one builds a better fire

Beginning Manufacturing Date: Oct 2001  
Ending Manufacturing Date: FeB 2003

### #15 Pilot Assembly



### #16 Valve Assembly



**IMPORTANT: THIS IS DATED INFORMATION.** Parts must be ordered from a dealer or distributor. **Hearth and Home Technologies does not sell directly to consumers.** Provide model number and serial number when requesting service parts from your dealer or distributor.



**Stocked  
at Depot**

ITEM	DESCRIPTION	COMMENTS	PART NUMBER	Stocked at Depot
15.1	Pilot Assembly NG		4021-736	Y
	Pilot Assembly LP		4021-737	Y
	Pilot Tube		SRV485-301	Y
	Thermocouple		446-511	Y
	Thermopile		2103-512	Y
15.2	Gasket, Pilot Bracket	No longer available	SRV768-432	
15.3	Burner Orifice NG (.125A)	No longer available	768-801	
	Burner Orifice LP (#49A)	No longer available	065-801	
15.4	Bracket: Orifice	No longer available	778-169	
15.5	Pilot Bracket	No longer available	783-170	
15.6	Burner Tube		477-301A	Y
16.1	Flex Ball Valve Assembly		SRV302-320	Y
16.2	Valve NG		060-522	Y
	Valve LP		060-523	Y
16.3	Pilot Control Knob	No longer available	571-530	
16.4	Flame Control Knob	No longer available	571-531	
16.5	Bracket: Valve	No longer available	773-145	

Additional service parts on following page.

No one builds a better fire

Beginning Manufacturing Date: Oct 2001  
Ending Manufacturing Date: Feb 2003

IMPORTANT: THIS IS DATED INFORMATION. Parts must be ordered from a dealer or distributor. **Hearth and Home Technologies does not sell directly to consumers.** Provide model number and serial number when requesting service parts from your dealer or distributor.



**Stocked  
at Depot**

ITEM	DESCRIPTION	COMMENTS	PART NUMBER	
	Decorative Front	No longer available	FBGR-4832-BK	
		No longer available	FBGR-4232-BK	
	Fan Kit		GFK-160A	
	Fiber Patch Kit		SRV-PACK-CFX	
	Paint Touch-up Kit	No longer available	TAN-KIT	
	Junction Box	No longer available	040-250A	
	Mineral Wool		050-721	
	Remote		SMART-STAT-HHT	
	Vermiculite Embers		MYSTIC-EMBERS	
	Conversion Kit NG	No longer available	NGK-CFXGB	
	Conversion Kit LP	No longer available	LPK-CFXGB	
	Regulator NG		SRV060-518	Y
	Regulator LP		060-519	Y
	Pilot Orifice NG		SRV446-505	Y
	Pilot Orifice LP		SRV446-517	Y