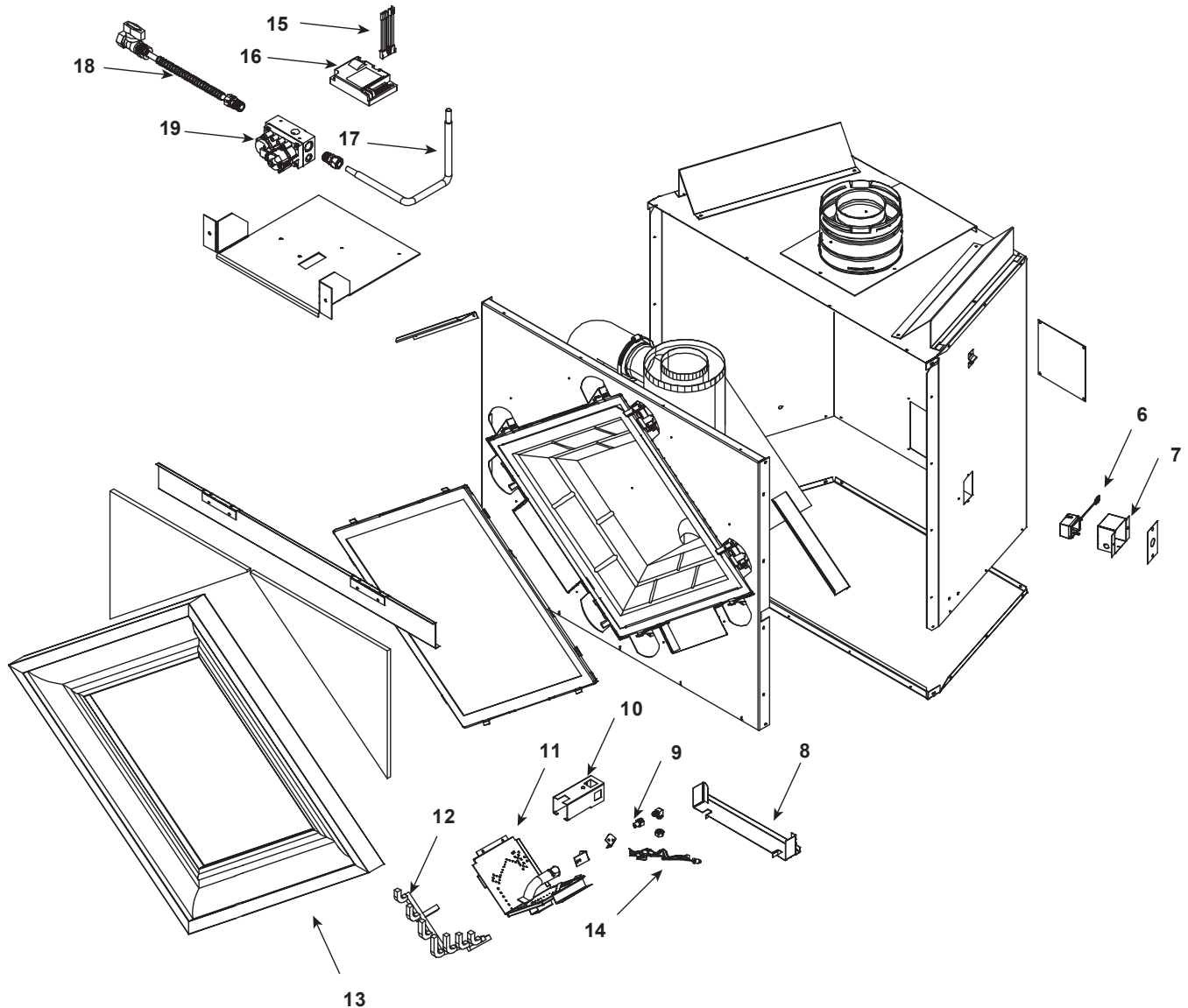
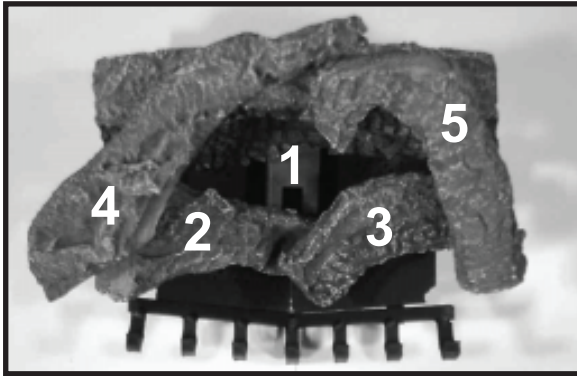


Log Set Assembly



Part number list on following page.

No one builds a better fire

Beginning Manufacturing Date: April 2000
Ending Manufacturing Date: Dec 2002

IMPORTANT: THIS IS DATED INFORMATION. Parts must be ordered from a dealer or distributor. **Hearth and Home Technologies does not sell directly to consumers.** Provide model number and serial number when requesting service parts from your dealer or distributor.



**Stocked
at Depot**

ITEM	DESCRIPTION	COMMENTS	PART NUMBER	
	Log Set Assembly		LOGS-DIAMOND	Y
1	Log 1	No longer available, Must order complete assembly	SRV593-701	
2	Log 2		SRV593-702	
3	Log 3		SRV593-703	
4	Log 4		SRV593-704	
5	Log 5		SRV593-705	
6	3 Volt Transformer		SRV593-593	Y
7	Junction Box		100-250A	Y
8	Log Bracket	No longer available	593-167	
9	Orifice NG (#43)	No longer available	424-801	
	Orifice LP (#54)	No longer available	593-803	
10	Deflector Bracket	No longer available	593-120	
11	Burner NG	No longer available	SRV593-326A	
	Burner LP	No longer available	SRV593-325A	
12	Grate Assembly	No longer available	SRV593-360A	
13	Trim Door	No longer available	DF-DIAMOND	
14	Pilot Assembly NG		SRV593-512	Y
	Pilot assembly LP		SRV593-513	Y
15	Wire Assembly		SRV593-590	Y
16	Module		SRV593-592	Y
17	Burner Tube	No longer available	570-302A	
18	Flex Ball Valve Assembly		SRV302-320	Y
19	Valve NG		SRV593-500	Y
	Valve LP		SRV593-501	Y
	Battery Pack		SRV593-594	Y
	Draft Baffle for Vertical Venting, 12ft	No longer available	SRV593-170	
	Glass Door Assembly	No longer available	GLA-DIAMOND	
	Mesh Kit	No longer available	MESH-DIAMOND	
	Mineral Wool		050-721	
	Patch Kit		SRV-PACK-CFX	
	Paint Touch-up Kit	No longer available	TAN-KIT	
	Conversion Kit NG	No longer available	NGKP-DIAMOND	
	Conversion Kit LP	No longer available	LPKP-DIAMOND	
	Pilot Orifice NG		SRV593-528	Y
	Pilot Orifice LP		SRV593-527	Y
	Regulator NG		SRVNGK-DXF	Y
	Regulator LP		SRVLPK-DXF	Y