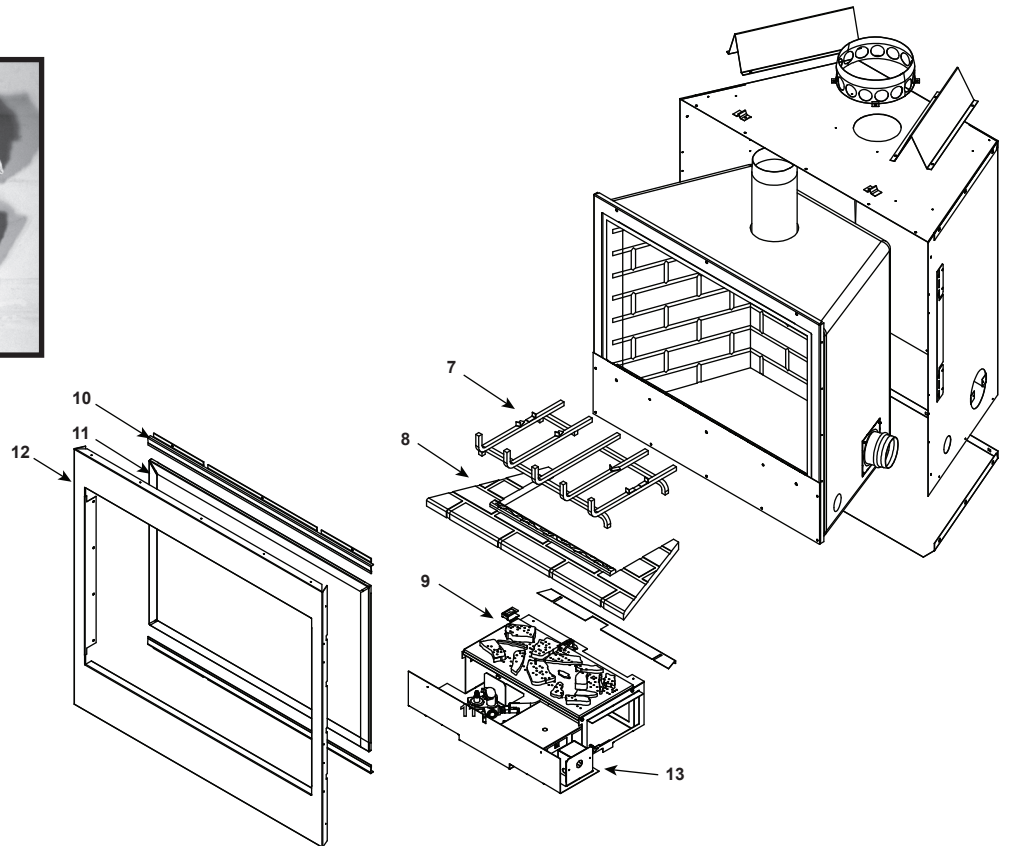
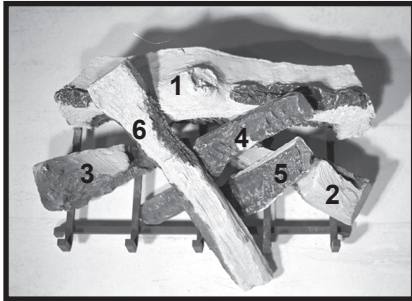


Log Set Assembly



IMPORTANT: THIS IS DATED INFORMATION. When requesting service or replacement parts for your appliance please provide model number and serial number. All parts listed in this manual may be ordered from an authorized dealer.



Stocked at Depot

ITEM	DESCRIPTION	COMMENTS	PART NUMBER	
	Log Set Assembly		LOGS-CFX	Y
1	Log 1	No longer available, Must order complete assembly	SRV492-701	
2	Log 2		SRV492-702	
3	Log 3		SRV492-703	
4	Log 4		SRV492-704	
5	Log 5		SRV446-706	
6	Log 6		SRV446-704	
7	Log Grate	No longer available	SRV492-361	
8	Refractory	No longer available	SRV514-722	
9	Burner NG, LP	No longer available	514-710A	
10	Glass Frame Support	No longer available	514-143	
11	Glass Door Assembly	No longer available	GLA-CFXDA	
12	Surround	No longer available	514-125	
13	Junction Box	No longer available	100-256A	
	Junction Box with wire harness	No longer available	515-014A	
	Relay with Wire Harness	No longer available	2003-250A	

No one builds a better fire

DSI Manufacturing Dates: Nov 1998 - Sept 2002

IPI Manufacturing Dates: Sept 2002 - March 2003

IMPORTANT: THIS IS DATED INFORMATION. When requesting service or replacement parts for your appliance please provide model number and serial number. All parts listed in this manual may be ordered from an authorized dealer.



**Stocked
at Depot**

ITEM	DESCRIPTION	COMMENTS	PART NUMBER	
	Burner Orifice NG (#31A)	No longer available	506-800	
	Burner Orifice LP (#49A)	No longer available	065-801	
	Combustion Blower		705-567A	Y
	Decorative Front	No longer available	DF-CFX36D	
	High Temp Limit Switch		514-530	Y
	Patch Kit		SRV-PACK-CFX	
	Paint Touch-up Kit	No longer available	TAN-KIT	
	Rivnut Repair Kit		SHOW-RIVNUT	Y
DSI IGNITION ONLY (For existing DSI - Not for Conversion)				
	Valve NG		476-500	Y
	Valve LP	For LP flip Brass fitting		Y
	Electrode		501-591	Y
	Module	No longer available	501-592	
	Conversion Kit NG	No longer available	NGK-CFXDA	
	Conversion Kit LP	No longer available	LPK-CFXDA	
IPI IGNITION ONLY (For existing IPI - Not for Conversion)				
	Valve NG		SRV593-500	Y
	Valve LP		SRV593-501	Y
	IPI Pilot Assembly (NG)		SRV4021-730	Y
	IPI Pilot Assembly (LP)		SRV4021-731	Y
	Control Module		SRV593-592	Y
	Transformer 3V Adaptor Plug		SRV593-593	Y
	Wire Harness		SRV593-590	Y
	Conversion Kit NG	No longer available	NGK-CFXDA-IPI	
	Conversion Kit LP	No longer available	LPK-CFXDA-IPI	