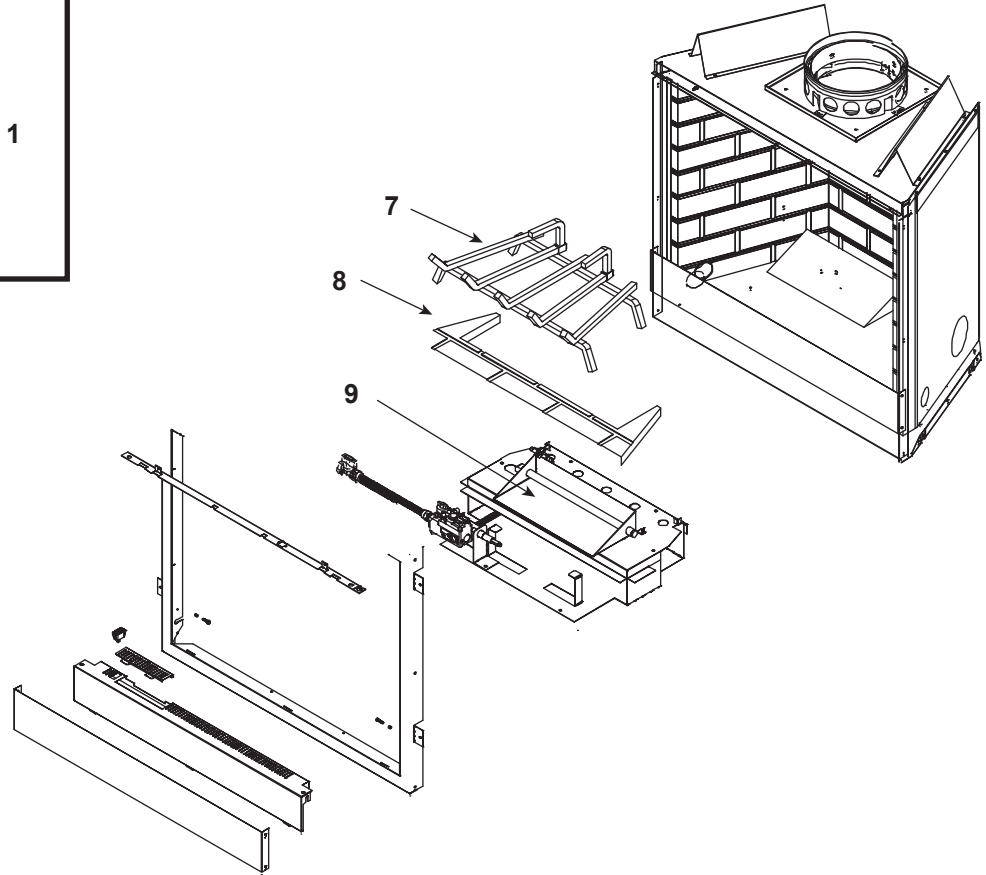
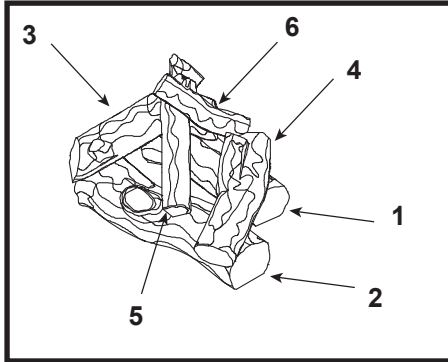


Log Set Assembly



IMPORTANT: THIS IS DATED INFORMATION. Parts must be ordered from a dealer or distributor. **Hearth and Home Technologies does not sell directly to consumers.** Provide model number and serial number when requesting service parts from your dealer or distributor.



Stocked at Depot

ITEM	DESCRIPTION	COMMENTS	PART NUMBER
	Log Set Assembly	No longer available	263-700A
1	Log 1	No longer available	SRV263-710
2	Log 2	No longer available	SRV263-705
3	Log 3	No longer available	SRV263-715
4	Log 4	No longer available	SRV263-730
5	Log 5	No longer available	SRV263-725
6	Log 6	No longer available	SRV263-735
7	Grate Assembly	No longer available	263-360A
8	Base Refractory	No longer available	SRV263-720
9	Burner NG	No longer available	263-110A
	Burner LP	No longer available	SRV263-175A



Service Parts

CFX-36TSP

No one builds a better fire

Beginning Manufacturing Date: July 1999
Ending Manufacturing Date: Dec 2001

IMPORTANT: THIS IS DATED INFORMATION. Parts must be ordered from a dealer or distributor. **Hearth and Home Technologies does not sell directly to consumers.** Provide model number and serial number when requesting service parts from your dealer or distributor.



**Stocked
at Depot**

ITEM	DESCRIPTION	COMMENTS	PART NUMBER	
	Bimetallic Flue Damper		DG3	
	Manual Flue Damper	No longer available	492-210A	
	Flex Ball Valve Assembly		SRV302-320	Y
	Flush Hearth Kit	No longer available	263-121	
	High Temp Limit Switch		SRV4021-383	Y
	Junction Box		100-250A	Y
	Mesh Assembly	No longer available	MESH-CFX	
	Mineral Wool		050-721	
	On/ Off, Switch		SRV32D0232	Y
	Orifice NG (#20A)	No longer available	263-800	
	Orifice LP (#44A)	No longer available	428-800	
	Patch Kit		SRV-PACK-CFX	
	Paint Touch-up Kit	No longer available	TAN-KIT	
	Piezo Ignitor		291-513	Y
	Pilot Assembly NG		446-512A	Y
	Pilot Assembly LP		446-513A	Y
	Thermopile		2103-512	Y
	Pilot Tube		SRV446-301	Y
	Touch Up Paint		TUPB-12	
	Valve NG	No longer available	263-500	
	Conversion Kit NG		N/A	
	Conversion Kit LP	No longer available	LPK-CFXTSP	
	Pilot Orifice NG	No longer available	060-505	
	Pilot Orifice LP	No longer available	060-517	
	Regulator NG		SRV060-504	Y
	Regulator LP		SRV060-516	Y