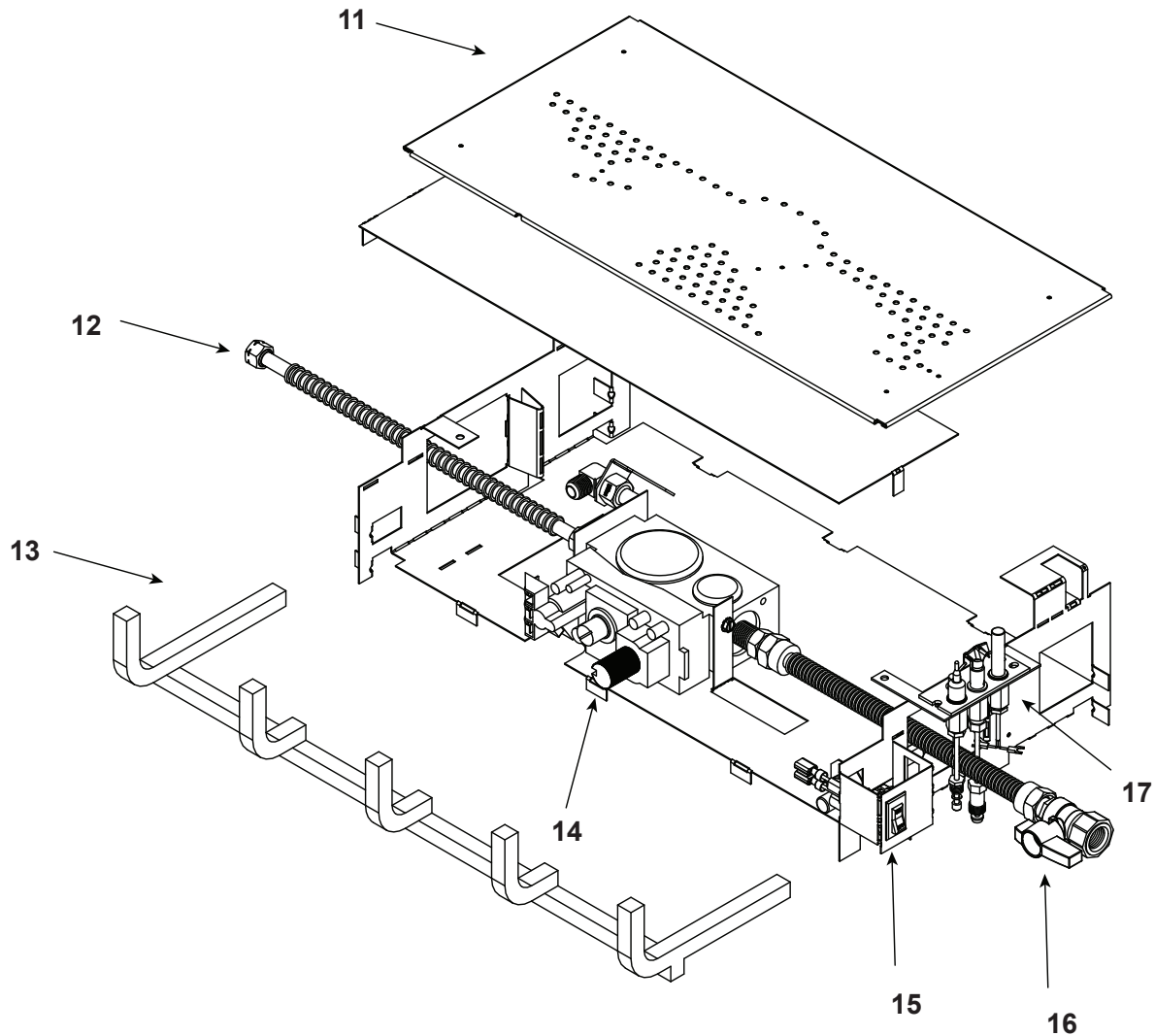
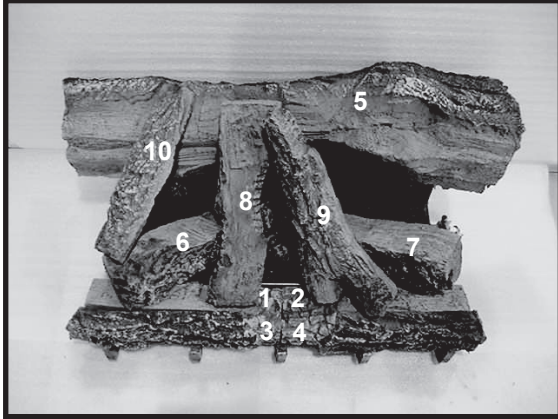


### Log Set Assembly



Part number list on following page.

IMPORTANT: THIS IS DATED INFORMATION. Parts must be ordered from a dealer or distributor. **Hearth and Home Technologies does not sell directly to consumers.** Provide model number and serial number when requesting service parts from your dealer or distributor.



**Stocked  
at Depot**

| ITEM | DESCRIPTION               | COMMENTS   | PART NUMBER |   |
|------|---------------------------|--|-------------|---|
|      | Log Assembly              |  | LOGS-CFL24  |   |
| 1    | Log 1                     | <b>Pre 5/15/16, Must<br/>order complete<br/>assembly</b> | SRV481-766  |   |
| 2    | Log 2                     |  |             |   |
| 3    | Log 3                     |  | SRV481-755  |   |
| 4    | Log 4                     |  |             |   |
| 5    | Log 5                     |  | SRV526-701  |   |
| 6    | Log 6                     |  | SRV481-705  |   |
| 7    | Log 7                     |  | SRV446-702  |   |
| 8    | Log 8                     |  | SRV481-703  |   |
| 9    | Log 9                     |  | SRV402-701  |   |
| 10   | Log 10                    |  | SRV446-706  |   |
| 11   | Burner Assembly           |  | 526-010A    | Y |
| 12   | Flexible Gas Connector    |  | 477-301A    | Y |
| 13   | Grate Assembly            |  | SRV526-360  |   |
| 14   | Valve NG                  |  | 418-500     | Y |
|      | Valve LP                  |  | 418-501     | Y |
| 15   | ON/Off Switch             |  | 060-521A    | Y |
| 16   | Flex Ball Valve Assembly  |  | SRV302-320  | Y |
| 17   | Pilot Assembly NG         |  | 2103-010    | Y |
|      | Pilot Assembly LP         |  | 2103-011    | Y |
|      | Mineral Wool              |  | 050-721     |   |
|      | Orifice NG (1.55)         |  | 526-801     | Y |
|      | Orifice LP (2.30 mm)      |  | 526-800     | Y |
|      | Piezo Ignitor             |  | 291-513     | Y |
|      | Pilot Orifice NG          |  | SRV2103-116 | Y |
|      | Pilot Orifice LP          |  | 2103-117    | Y |
|      | Remote Heat Shield        |  | 526-199     |   |
|      | Thermocouple              |  | 2103-511    | Y |
|      | Thermopile                |  | 2103-512    | Y |
|      | Vermiculite               |  | 060-720     |   |
|      | Wire Assembly 24 in       |  | 089-550A    | Y |
|      | Single Wire Assembly, 24" |  | 049-555A    | Y |
|      |                           |  |             |   |
|      |                           |  |             |   |
|      |                           |  |             |   |
|      |                           |  |             |   |