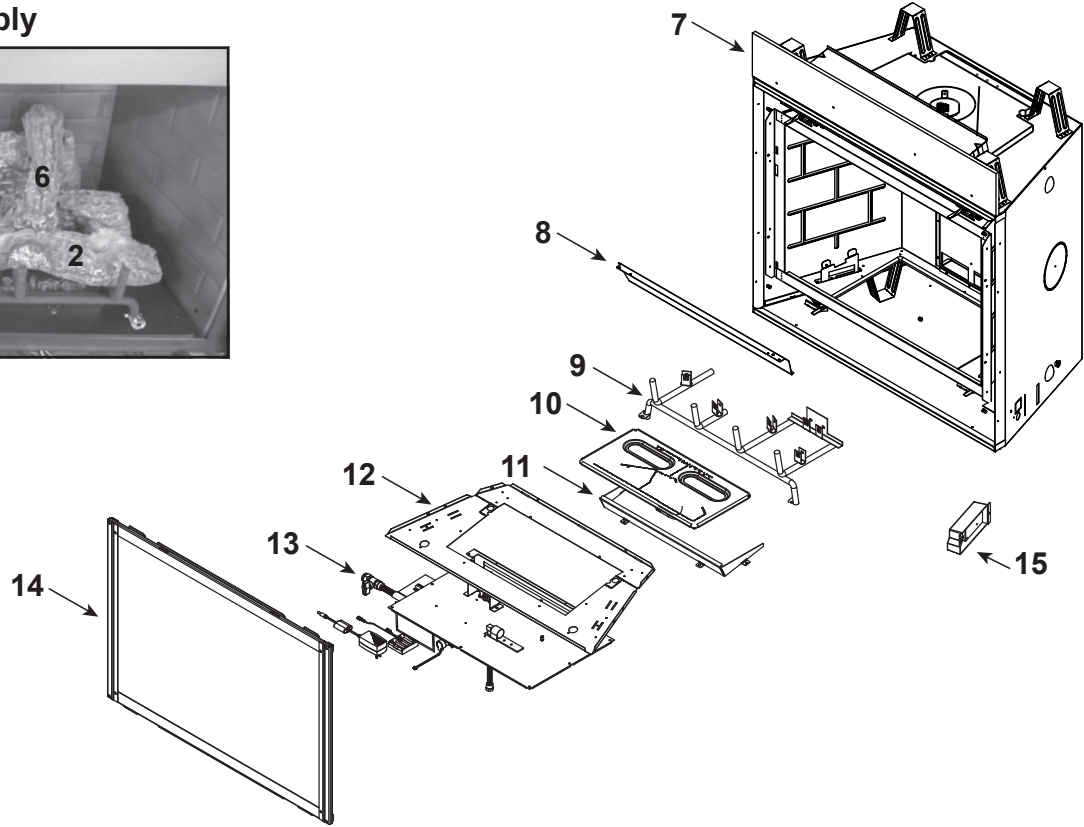


**Log Set Assembly**



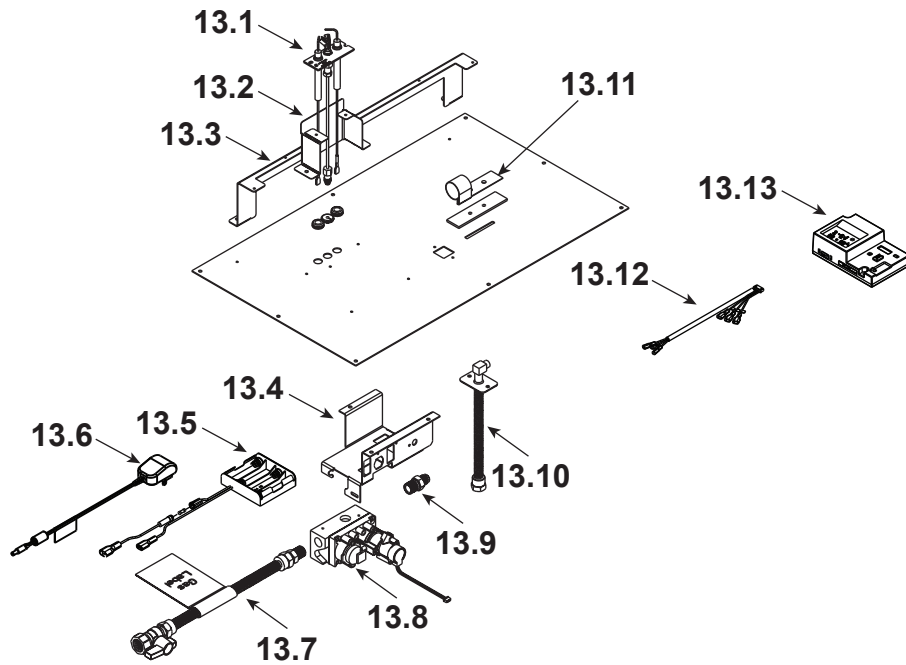
IMPORTANT: THIS IS DATED INFORMATION. Parts must be ordered from a dealer or distributor. **Hearth and Home Technologies does not sell directly to consumers.** Provide model number and serial number when requesting service parts from your dealer or distributor.



**Stocked at Depot**

ITEM	DESCRIPTION	COMMENTS	PART NUMBER	
	Log Assembly		LOGS-4842	Y
1	Log #1		SRV2208-702	
2	Log #2		SRV2208-703	
3	Log #3		SRV2208-704	
4	Log #4		SRV2211-073	
5	Log #5		SRV2208-705	
6	Log #6		SRV2208-706	
7	Insulation Board		2170-136	
8	Glass Heat Shield		2210-723	
9	Grate Assembly		2211-015	
10	Burner Assembly NG		2210-007	Y
	Burner Assembly Propane		2210-008	Y
11	Burner Skirt		SRV2208-102-BK	
12	Base Pan		2361-100	
13	Valve Assembly	<b>Refer to valve page</b>		
14	Glass Assembly		GLA-950TR	Y
15	Junction Box (Plastic)		SRV4021-013	Y
	Exhaust Cover Shield		385-105	

**#13 Valve Assembly**



IMPORTANT: THIS IS DATED INFORMATION. Parts must be ordered from a dealer or distributor. **Hearth and Home Technologies does not sell directly to consumers.** Provide model number and serial number when requesting service parts from your dealer or distributor.



**Stocked at Depot**

ITEM	DESCRIPTION	COMMENTS	PART NUMBER	
13.1	Pilot Assembly - NG		2397-012	Y
	Pilot Assembly - Propane		2397-013	Y
	Pilot Tube		SRV485-301	Y
13.2	Pilot Bracket		2208-101	
13.3	Burner Leg		2208-106	
13.4	Valve Bracket		2118-104	
13.5	Battery Pack**		SRV2326-134	Y
13.6	Transformer, 6 Volt Wall		SRV2326-131	Y
13.7	Flex Ball Valve Assembly		SRV302-320	Y
13.8	Valve - NG		SRV2166-302	Y
	Valve - Propane		2166-303	Y
13.9	Male Connector	Pkg of 5	303-315/5	Y
13.10	Bulkhead w/ Flex		SRV7000-156	Y
13.11	Shutter Bracket Assembly		2118-121	Y
13.12	Wire Harness, IFT 6 Pin		SRV2326-132	Y
13.13	Module, IFT Control		SRV2326-130	Y
	Orifice (#33) - <b>NG</b>		582-833	Y
	Orifice (#51) - <b>Propane</b>		SRV582-851	Y

\*\*Fuse for battery pack can be sourced locally, not a warranty item. Specs are 250v, 3A fuse, 3/4" long

Additional service part numbers appear on following page.

