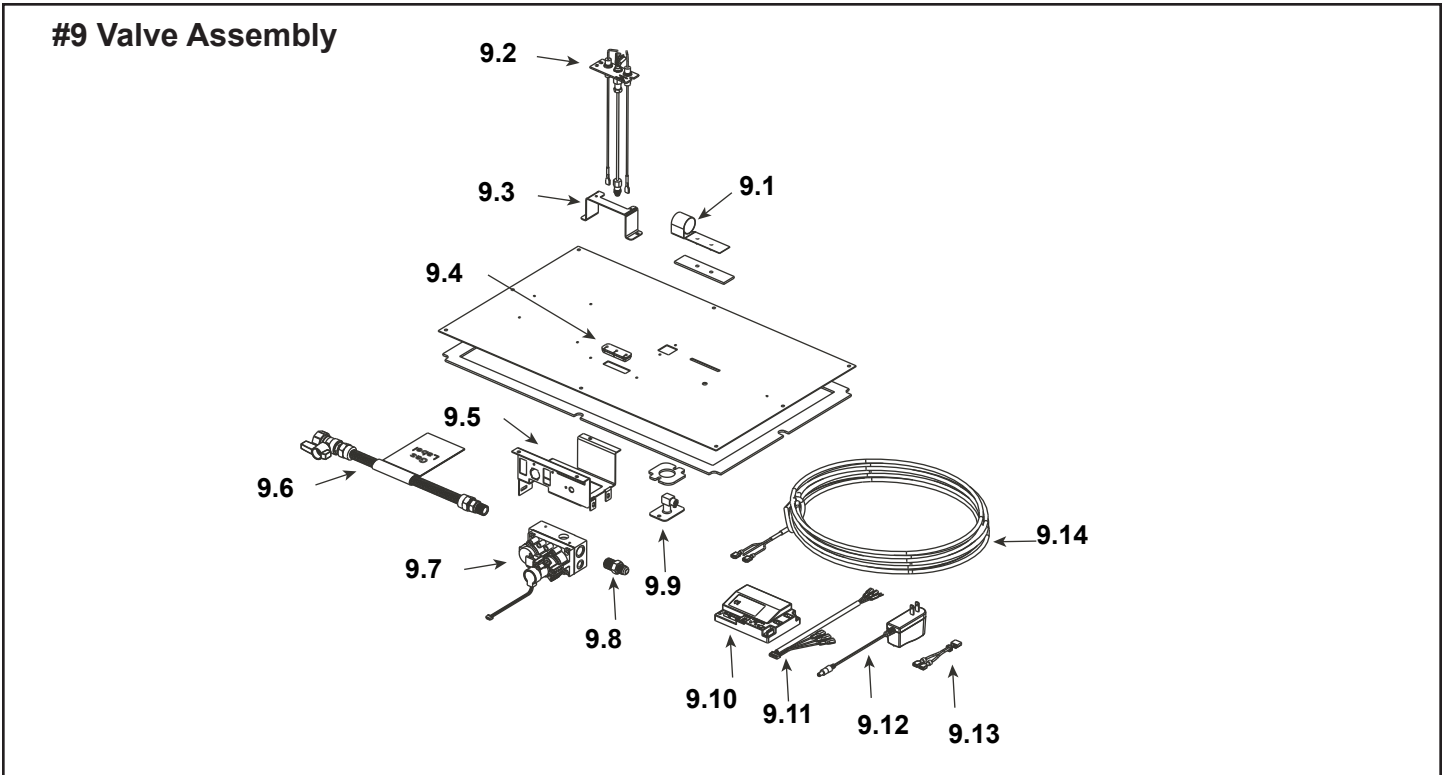


IMPORTANT: THIS IS DATED INFORMATION. Parts must be ordered from a dealer or distributor. **Hearth and Home Technologies does not sell directly to consumers.** Provide model number and serial number when requesting service parts from your dealer or distributor.



Stocked at Depot

ITEM	DESCRIPTION	COMMENTS	PART NUMBER	
1	Non-Combustible Board		2170-136	
2	Refractory Bracket	Qty 2 req	2241-115	
3	Rock Fixture Assembly		2241-040	Y
4	Base Pan Assembly		2242-015	
4.1	Base Pan Back		2242-114	
4.2	Base Pan Front		2242-101	
4.3	Pilot Hood		2241-117	
4.4	Pilot Shield	Stainless	2241-116	
5	Burner Assembly	NG	SRV2242-007	Y
		LP	SRV2242-008	Y
6	Surround Assembly		2170-019	
7	Glass Assembly		GLA-950TR	Y
8	Junction box		4021-013	Y



IMPORTANT: THIS IS DATED INFORMATION. Parts must be ordered from a dealer or distributor. **Hearth and Home Technologies does not sell directly to consumers.** Provide model number and serial number when requesting service parts from your dealer or distributor.



Stocked at Depot

ITEM	DESCRIPTION	COMMENTS	PART NUMBER	Stocked at Depot
9.1	Shutter Bracket Assembly		2118-121	Y
9.2	Pilot Assembly, NG		2090-012	Y
	Pilot Assembly, LP		2090-013	Y
9.3	Pilot Bracket		SRV2241-109-BK	
9.4	3-Hole Grommet		2118-420	
9.5	Valve Bracket		2118-104	
9.6	Flex Ball Valve Assembly		302-320A	Y
9.7	Valve, NG		SRV2166-302	Y
	Valve, LP		2166-303	Y
9.8	Male Connector	Pkg of 5	303-315/5	Y
9.9	Bulkhead w/FlexTube		7000-156	Y
9.10	Control Module		2166-338	Y
9.11	Wire Harness		2166-304	Y
9.12	Switched DC Regulator		2326-131	Y
9.13	Jumper Wire		2187-198	Y
9.14	Thermostat Wire Assembly		2118-170	Y
	Orifice, NG (#35C)		582-835	Y
	Orifice, LP (#54C)		582-854	Y

Additional service part numbers on following page.

