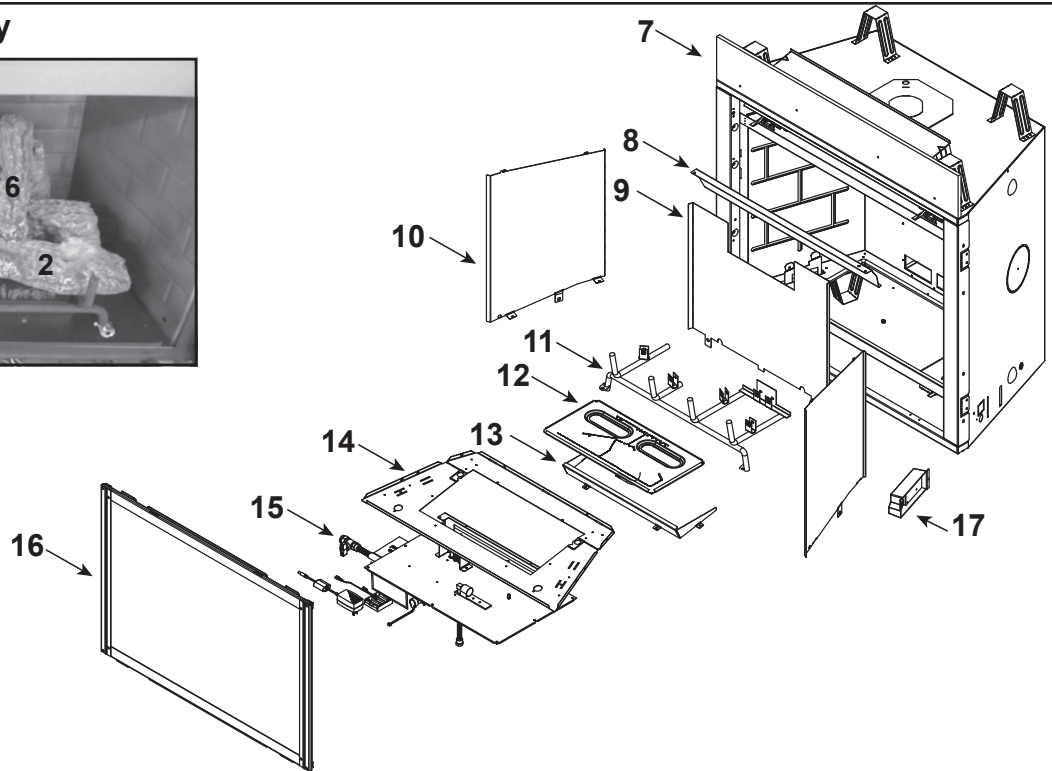


Log Set Assembly

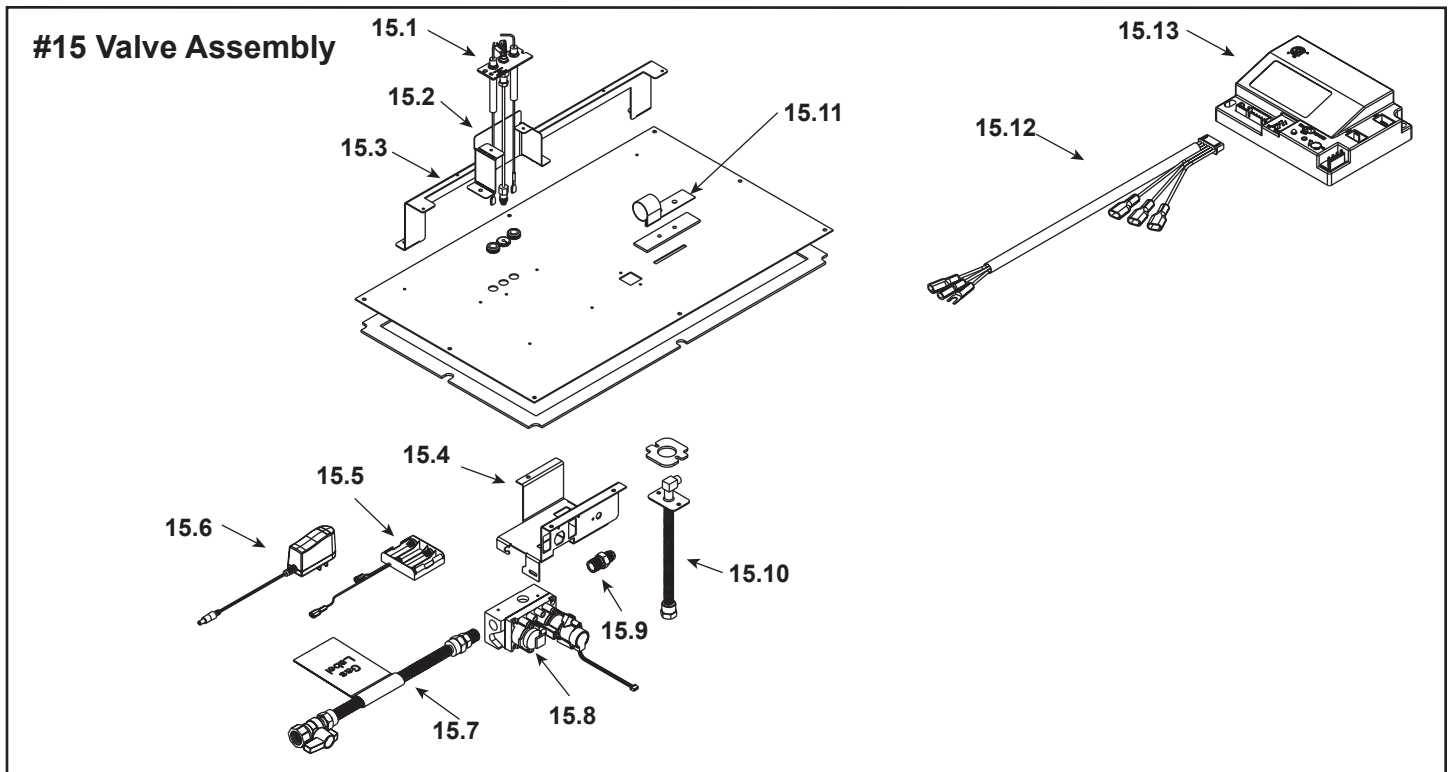


IMPORTANT: THIS IS DATED INFORMATION. Parts must be ordered from a dealer or distributor. **Hearth and Home Technologies does not sell directly to consumers.** Provide model number and serial number when requesting service parts from your dealer or distributor.



Stocked at Depot

ITEM	DESCRIPTION	COMMENTS	PART NUMBER	Stocked at Depot
	Log Assembly		LOGS-4236	Y
1	Log #1	Pre 5/15/16, Must order complete assembly	SRV2208-702	
2	Log #2		SRV2208-703	
3	Log #3		SRV2208-704	
4	Log #4		SRV2208-073	
5	Log #5		SRV2208-705	
6	Log #6		SRV2208-706	
7	Insulation Board		2166-136	
8	Glass Heat Shield		2207-723	
9	Refractory Back		SRV2207-720	
10	Refractory Side	Left	SRV2207-721	
		Right	SRV2207-722	
11	Grate Assembly		2208-015	
12	Burner Assembly NG		2207-007	Y
	Burner Assembly LP		2207-008	Y
13	Burner Skirt		SRV2208-102-BK	
14	Base Pan		2360-100	
15	Valve Assembly	Refer to valve page		
16	Glass Assembly		GLA-6000G	Y
17	Junction Box (Plastic)		SRV4021-013	Y



IMPORTANT: THIS IS DATED INFORMATION. Parts must be ordered from a dealer or distributor. **Hearth and Home Technologies does not sell directly to consumers.** Provide model number and serial number when requesting service parts from your dealer or distributor.



Stocked at Depot

ITEM	DESCRIPTION	COMMENTS	PART NUMBER	
15.1	Pilot Assembly - NG		2397-012	Y
	Pilot Assembly - LP		2397-013	Y
	Pilot Tube		SRV485-301	Y
15.2	Pilot Bracket		2208-101	
15.3	Burner Leg		2208-106	
15.4	Valve Bracket		2118-104	
15.5	Battery Pack**		SRV2166-323	Y
15.6	Power Supply		SRV2326-131	Y
15.7	Flex Ball Valve Assembly		SRV302-320	Y
15.8	Valve - NG		SRV2166-302	Y
	Valve - LP		2166-303	Y
15.9	Male Connector	Pkg of 5	303-315/5	Y
15.10	Bulkhead w/ Flex		SRV7000-156	Y
15.11	Shutter Bracket Assembly		2118-121	Y
	Control Assembly		SRV2164-030	Y
15.12	Wire Harness		2166-304	Y
15.13	Module		2166-347	Y
	Orifice (#37C) - NG		582-837	Y
	Orifice (#52C) - LP		SRV582-852	Y

**Fuse for battery pack can be sourced locally, not a warranty item. Specs are 250v, 1A fuse, 3/4" long

Additional service part numbers appear on following page.

