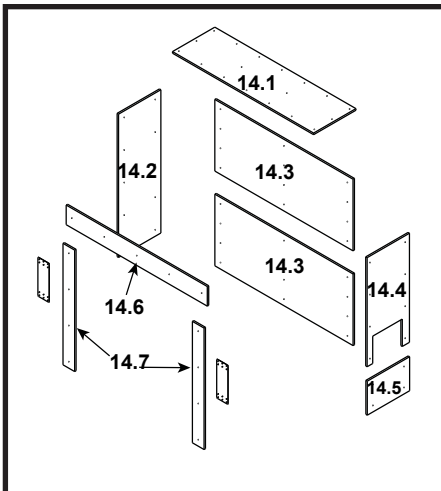
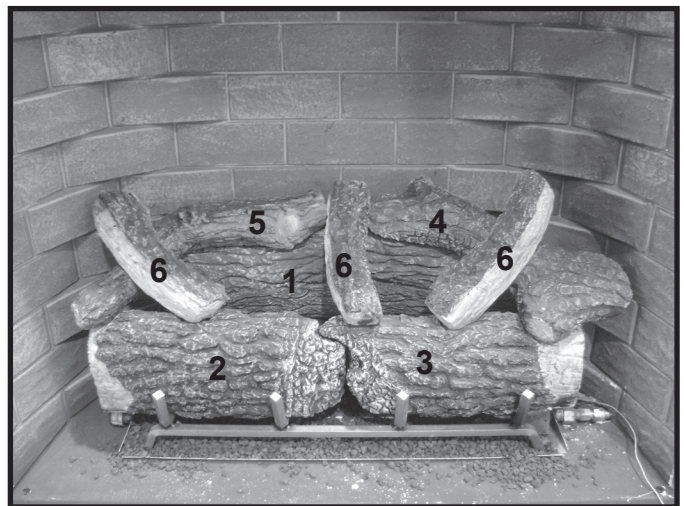


**#14 Non Combustible Board**



Part number list on following page.

**Log Set Assembly**



IMPORTANT: THIS IS DATED INFORMATION. Parts must be ordered from a dealer or distributor. **Hearth and Home Technologies does not sell directly to consumers.** Provide model number and serial number when requesting service parts from your dealer or distributor.

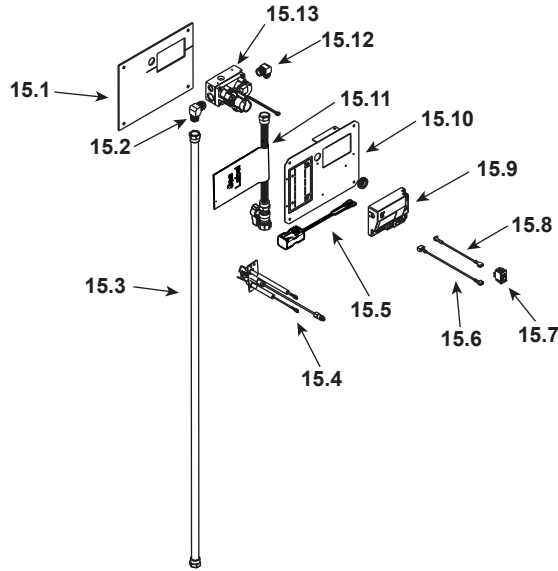


Stocked at Depot

ITEM	DESCRIPTION	COMMENTS	PART NUMBER	Stocked at Depot
	Log Set Assembly, Ships in 2 Boxes		4067-017	Y
1	Log 1, Rear Log, Box 2		4067-313	
2	Log 2, Left Front, Box 1		4067-314	
3	Log 3, Right Front, Box 1		4067-315	
4	Log 4, Top Right, Box 2		4066-316	
5	Log 5, Top Left, Box 2		4067-317	
6	Log 6, Box 1	Qty 3 req	4067-319	
7	Standoff	Qty 2 req	4067-119	
8	Burner/Grate Assembly NG		4067-079	Y
	Burner/Grate Assembly LP	(Must also order 4067-155)	4067-079	
8.1	Orifice, NG		4067-154	
	Orifice, LP		4067-155	
8.2	Connector		4066-156	
9	Screen Rod Assembly	<b>No longer available</b>	4067-022	
9.1	Screen Rod	Qty 2 req	4067-305	Y
9.2	Screen Assembly	Qty 2 req	4066-023	Y
10	Pilot Bracket		4067-112	
11	Heat Shield		SRV4067-113	
12	Pilot Shield		SRV4066-127	
13	Control Box Assembly		SRV4066-325	Y
14	Non-combustible Board			
14.1	Top	<b>No longer available</b>	4067-120A	
14.2	Left Side	<b>No longer available</b>	4067-121A	
14.3	Back	<b>No longer available</b>	4067-123A	
14.4	Right Side	<b>No longer available</b>	4067-122A	
14.5	Lower Front	<b>No longer available</b>	4066-126A	
14.6	Upper Front	<b>No longer available</b>	4067-124A	
14.7	Front Sides	Qty 2 req	SRV4067-125	
	Bracket, Junction Box		SRV4066-116	
	Patch Kit, Fiber		PATCHKIT-FB	
	Touch up Paint Fiber		STRATFORD-KIT	
	Wire Assembly	Used w/ AC Adaptor	4021-711	
	Conversion Kit NG		NGK-CARODG42	Y
	Conversion Kit LP		LPK-CARODG42	Y
	Pilot Orifice NG		SRV593-528	Y
	Pilot Orifice LP		SRV593-527	Y
	Regulator NG		NGK-DXV-50	Y
	Regulator LP		SRVLPK-DXV-50	Y

Additional service part numbers appear on following page.

**#15 Valve Assembly**



IMPORTANT: THIS IS DATED INFORMATION. Parts must be ordered from a dealer or distributor. **Hearth and Home Technologies does not sell directly to consumers.** Provide model number and serial number when requesting service parts from your dealer or distributor.



**Stocked at Depot**

ITEM	DESCRIPTION	COMMENTS	PART NUMBER	
15.1	Gasket , Pilot Bracket		4066-328	
15.2	90 Degree Elbow		4042-314	
15.3	SS FlexLine		4021-696	Y
15.4	Pilot Assembly NG		4021-628	Y
	Pilot Assembly LP		4021-629	Y
	Pilot Tube		4021-705	Y
15.5	Battery Pack**		4067-223	Y
15.6	Wire Assembly	8 inch	4021-710	Y
15.7	On/ Off Switch		SRV060-511	Y
15.8	Wire Assembly	6 inch	4021-697	Y
15.9	Module		2166-347	Y
15.10	Valve Bracket		SRV4066-115	
15.11	Flex Ball Valve Assembly		SRV302-320	Y
15.12	Male Elbow		SRV4021-045	
15.13	Valve NG		SRV2166-302	Y
	Valve LP		2166-303	Y
	Electric Kit to AC Power		ELEC-CARODG	
	Power Supply		SRV2326-131	Y
	Wire Harness	16 inch	2166-304	Y
	Lava Rock		SRVACC10	

\*\*Fuse for battery pack can be sourced locally, not a warranty item. Specs are 250v, 1A fuse, 3/4" long