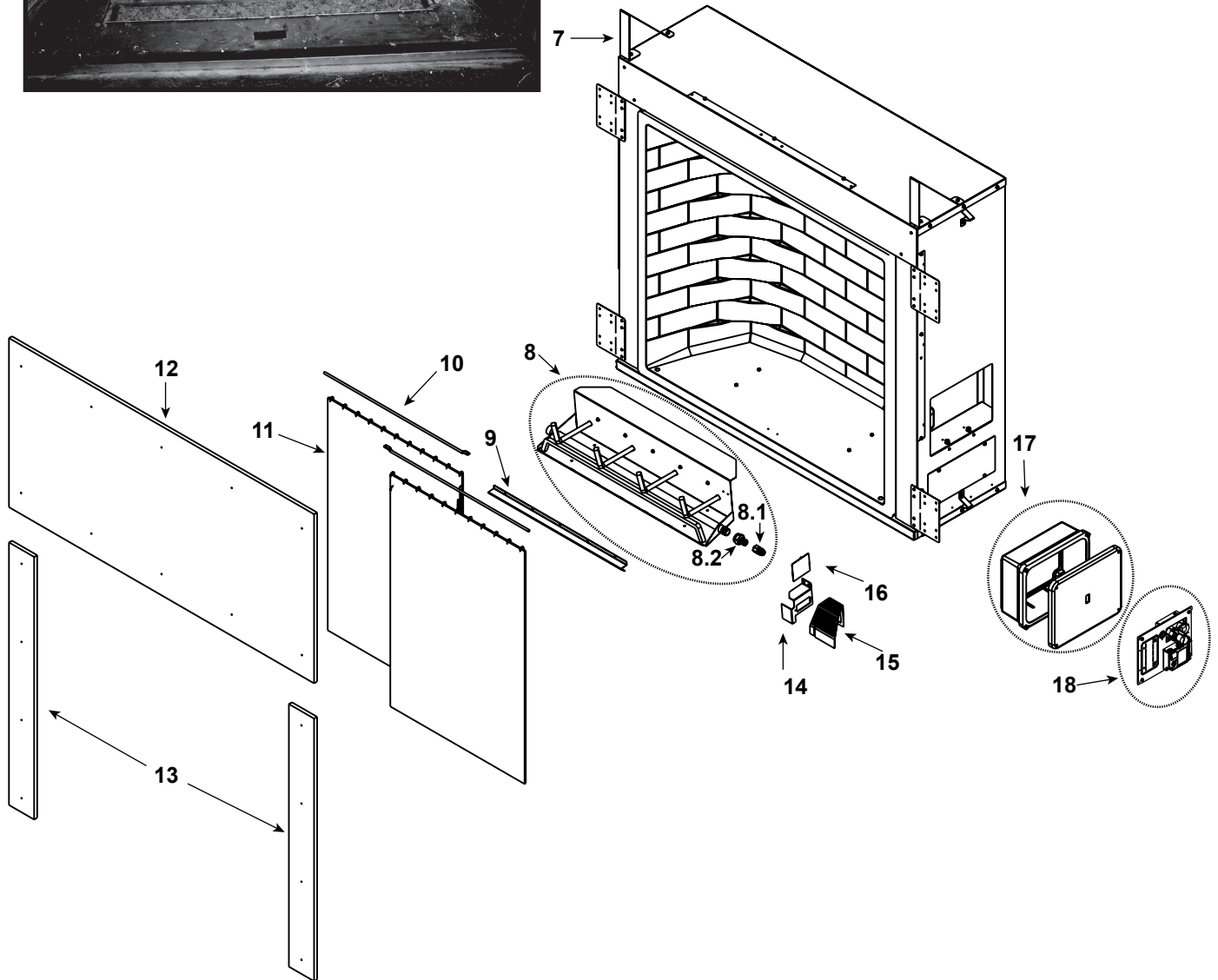
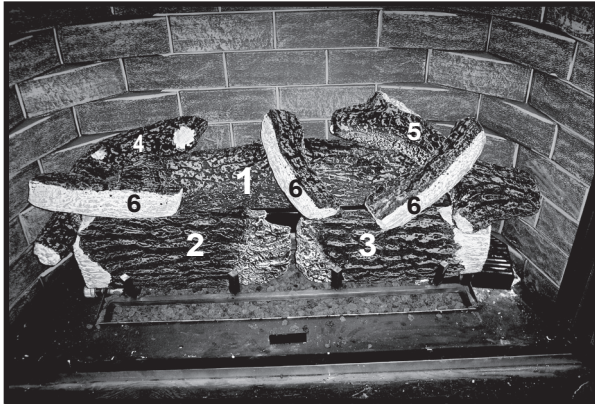


### Log Set Assembly



Part number list on following page.

IMPORTANT: THIS IS DATED INFORMATION. Parts must be ordered from a dealer or distributor. **Hearth and Home Technologies does not sell directly to consumers.** Provide model number and serial number when requesting service parts from your dealer or distributor.

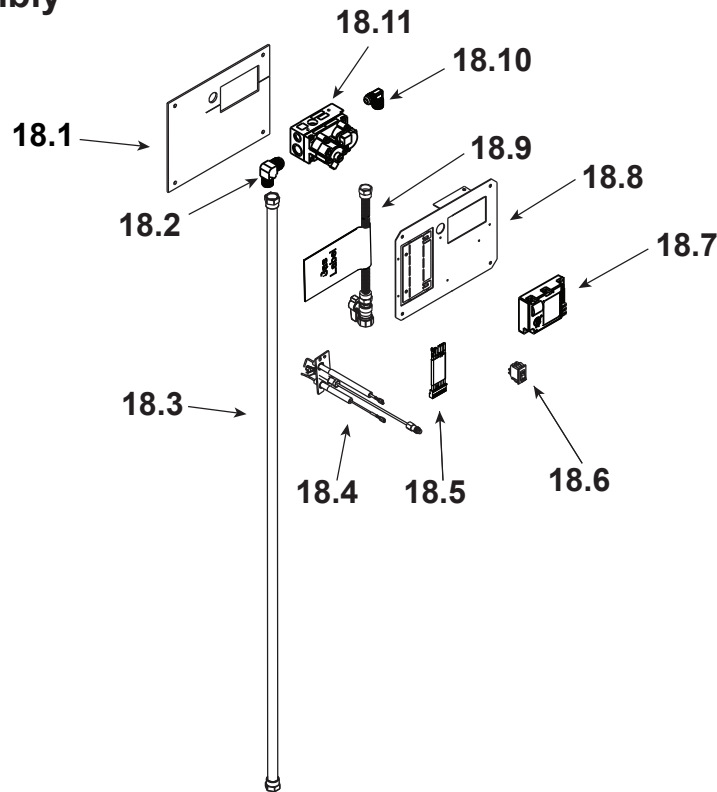


**Stocked at Depot**

ITEM	DESCRIPTION	COMMENTS	PART NUMBER	Stocked at Depot
	Log Set Assembly, Ships in 2 Boxes		4067-077	Y
1	Log 1, Rear Log		4067-313	
2	Log 2, Left Front		4067-314	
3	Log 3, Right Front		4067-515	
4	Log 4, Top Left		4066-517	
5	Log 5, Top Right		4067-316	
6	Log 6, Top	Qty 3 req	4067-319	
7	Standoff	Qty 2 req	SRV4066-219	
8	Burner/Grate Assembly		4067-079	Y
8.1	Orifice, NG		4067-154	
	Orifice, LP		4067-155	
8.2	Connector		4066-156	
9	Deflector		SRV4067-258	
10	Screen Rod	Qty 2 req	4067-305	Y
11	Screen Assembly	Qty 2 req	4067-023	Y
12	Upper Front, Non-combustible		SRV4067-224	
13	Front Sides, Non-combustible	Qty 2 req	SRV4067-125	
14	Pilot Bracket		SRV4067-112	
15	Pilot Shield		SRV4066-127	
16	Heat Shield		SRV4067-113	
17	Control Enclosure		4066-325	Y
18	Valve Assembly		<b>Refer to valve page</b>	
	Lava Rock		SRVACC10	
	Outlet Box, GFI		4066-311	
	Bracket, Junction Box		SRV4066-116	
	Screen Door, 42"		DSCAR42	
	Patch Kit, Fiber		PATCHKIT-FB	
	Touch up Paint Fiber		STRATFORD-KIT	
	Conversion Kit LP		LPK-CARODG42-C	
	Pilot Orifice NG		SRV593-528	Y
	Pilot Orifice LP		SRV593-527	Y
	Regulator NG		SRVNGK-DXF	Y
	Regulator LP		SRVLPK-DXF	Y

Additional service part numbers appear on following page.

**#18 Valve Assembly**



IMPORTANT: THIS IS DATED INFORMATION. Parts must be ordered from a dealer or distributor. **Hearth and Home Technologies does not sell directly to consumers.** Provide model number and serial number when requesting service parts from your dealer or distributor.



**Stocked at Depot**

ITEM	DESCRIPTION	COMMENTS	PART NUMBER	
18.1	Gasket , Pilot Bracket		4066-328	
18.2	90 Degree Elbow		4042-314	
18.3	SS FlexLine		4021-696	Y
18.4	Pilot Assembly NG		4021-628	Y
	Pilot Assembly LP		4021-629	Y
	Pilot Tube		4021-705	Y
18.5	Wire Harness		SRV593-590	Y
18.6	On/ Off Switch		SRV32D0232	Y
18.7	Module		SRV593-592	Y
18.8	Valve Bracket		SRV4066-299	
18.9	Flex Ball Valve Assembly		302-323	Y
18.10	Male Elbow		SRV4021-045	
18.11	Valve NG		SRV593-500	Y
	Valve LP		SRV593-501	Y
	Transformer, 3V		SRV593-593	Y