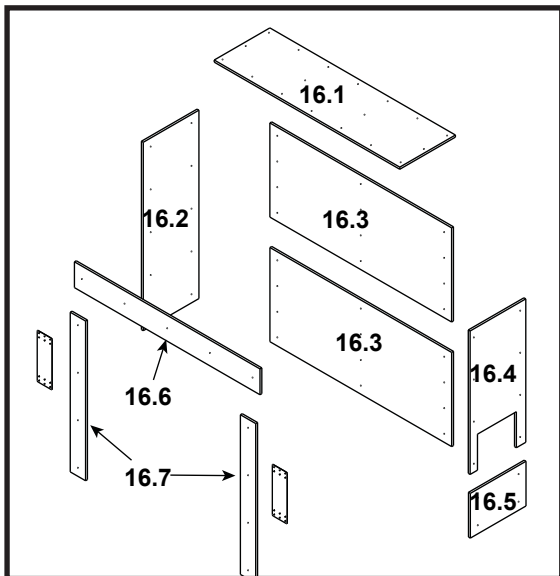
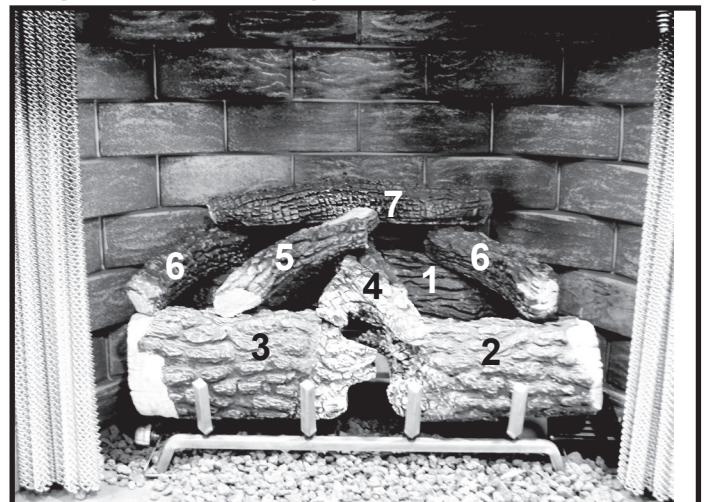


#16 Non Combustible Board



Part number list on following page.

Log Set Assembly



IMPORTANT: THIS IS DATED INFORMATION. Parts must be ordered from a dealer or distributor. **Hearth and Home Technologies does not sell directly to consumers.** Provide model number and serial number when requesting service parts from your dealer or distributor.

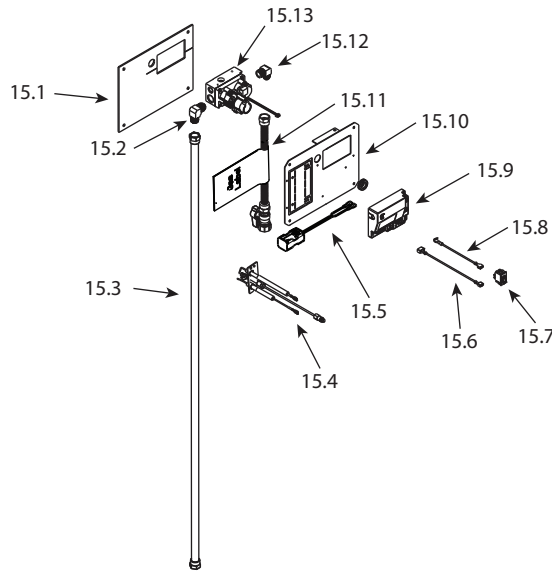


Stocked at Depot

ITEM	DESCRIPTION	COMMENTS	PART NUMBER	
	Log Set Assembly, Ships in 2 Boxes		4066-017	Y
1	Log 1, Back		4066-320	
2	Log 2, Front Right		4066-319	
3	Log 3, Front Left		4066-318	
4	Log 4, Top Inside Right		4066-317	
5	Log 5, Top Inside Left		4066-316	
6	Log 6, Top Outside Left	Qty 2 req	4066.315	
7	Log 8 Top Back		4066-313	
8	Standoff	Qty 2 req	4066-119	
9	Burner/Grate Assembly NG	Pre SN0022401504	SRV4066-019	Y
		Post SN 0022401504	4066-079	
	Burner/Grate Assembly LP	Pre SN0022401504	SRV4066-018	
		Post SN 0022401504	4066-079	
9.1	Orifice, NG		4066-154	
	Orifice, LP		4066-155	
9.2	Connector		4066-156	
10.1	Screen Rod	Pre April 2012	4066-305	Y
		Post April 2012	4067-305	
10.2	Screen Assembly	Qty 2 req	4066-023	Y
11	Pilot Bracket		SRV4067-112	
12	Pilot Shield		SRV4066-127	
13	Heat Shield		SRV4067-113	
14	Control Box Assembly		4066-325	Y
15	Valve Assembly		Refer to valve page	
16.1	Top	No longer available	4066-120A	
16.2	Left Side	No longer available	4066-121A	
16.3	Back	No longer available	4066-123A	
16.4	Right Side	No longer available	4066-122A	
16.5	Lower Front	No longer available	4066-126A	
16.6	Upper Front	No longer available	4066-124A	
16.7	Front Sides	Qty 2 req	SRV4066-125	
	Touch up Paint Fiber		STRATFORD-KIT	
	Patch Kit, Fiber		PATCHKIT-FB	
	Conversion Kit NG		NGK-CARODG36	Y
	Conversion Kit LP		LPK-CARODG36	Y
	Pilot Orifice NG		SRV593-528	Y
	Pilot Orifice LP		SRV593-527	Y
	Regulator NG		NGK-DXV-50	Y
	Regulator LP		SRVLPK-DXV-50	Y

Additional service part numbers appear on following page.

#15 Valve Assembly



IMPORTANT: THIS IS DATED INFORMATION. Parts must be ordered from a dealer or distributor. **Hearth and Home Technologies does not sell directly to consumers.** Provide model number and serial number when requesting service parts from your dealer or distributor.



Stocked at Depot

ITEM	DESCRIPTION	COMMENTS	PART NUMBER	
15.1	Gasket , Pilot Bracket		4066-328	
15.2	90 Degree Elbow		4042-314	
15.3	SS FlexLine		4021-696	Y
15.4	Pilot Assembly NG		4021-628	Y
	Pilot Assembly LP		4021-629	Y
	Pilot Tube		4021-705	Y
15.5	Battery Pack**		4067-223	Y
15.6	Wire Assembly	8 inch	4021-710	Y
15.7	On/ Off Switch		SRV32D0232	Y
15.8	Wire Assembly	6 inch	4021-697	Y
15.9	Module		2166-347	Y
15.10	Valve Bracket		SRV4066-115	
15.11	Flex Ball Valve Assembly		SRV302-320	Y
15.12	Male Elbow		SRV4021-045	
15.13	Valve NG		SRV2166-302	Y
	Valve LP		2166-303	Y
	Electric Kit to AC Power		ELEC-CARODG	
	Power Supply		SRV2326-131	Y
	Wire Assembly	Used w/ AC Adaptor	4021-711	
	Wire Harness	16 inch	2166-304	Y
	Lava Rock		SRVACC10	

**Fuse for battery pack can be sourced locally, not a warranty item. Specs are 250v, 1A fuse, 3/4" long