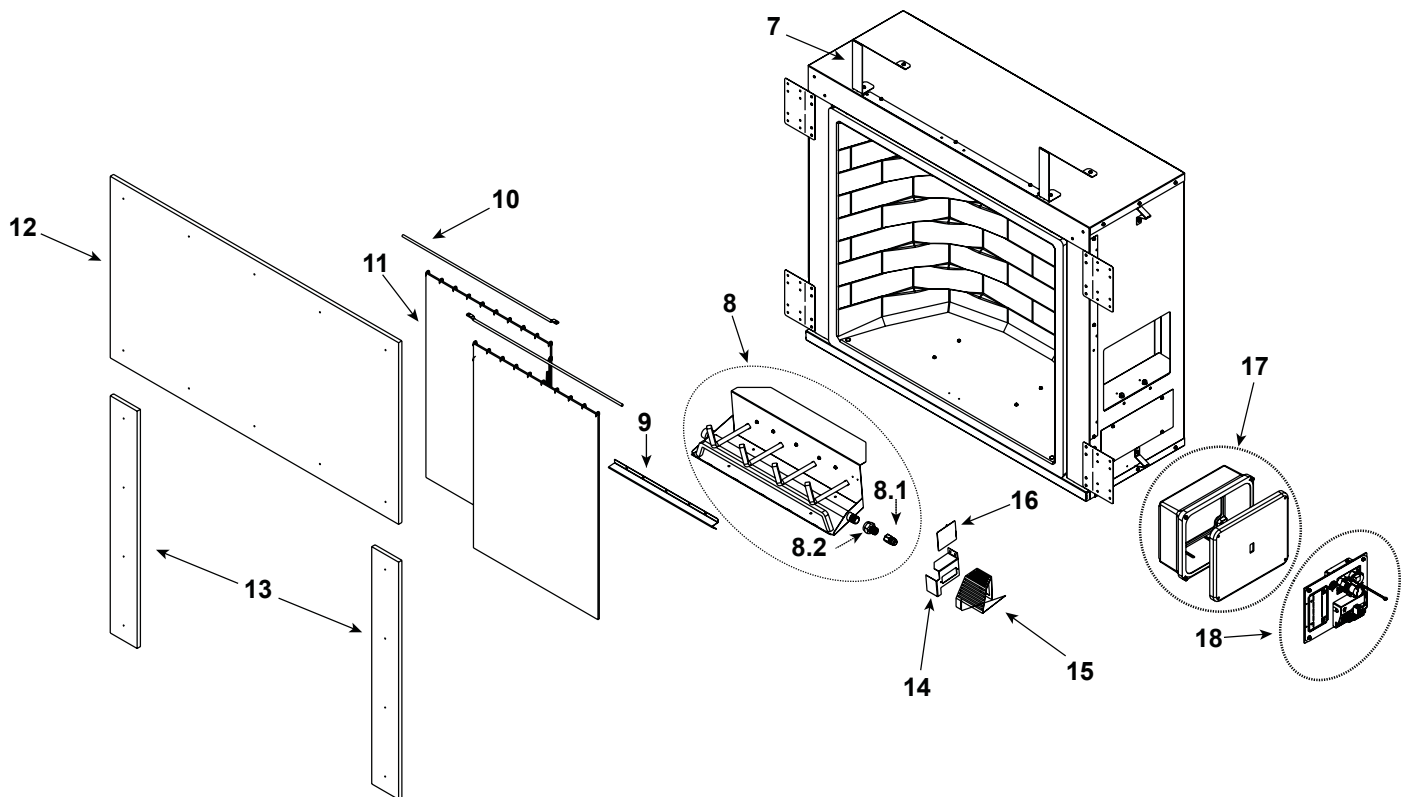
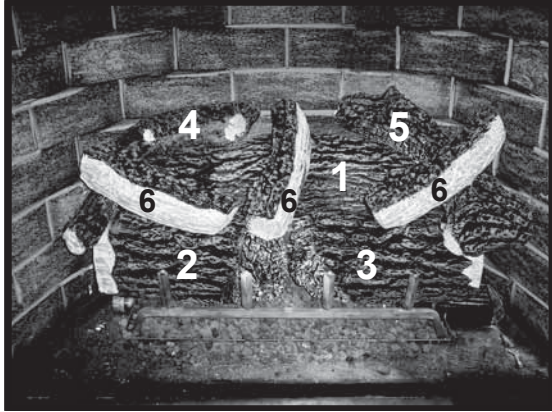


Log Set Assembly



Part number list on following page.

IMPORTANT: THIS IS DATED INFORMATION. Parts must be ordered from a dealer or distributor. **Hearth and Home Technologies does not sell directly to consumers.** Provide model number and serial number when requesting service parts from your dealer or distributor.

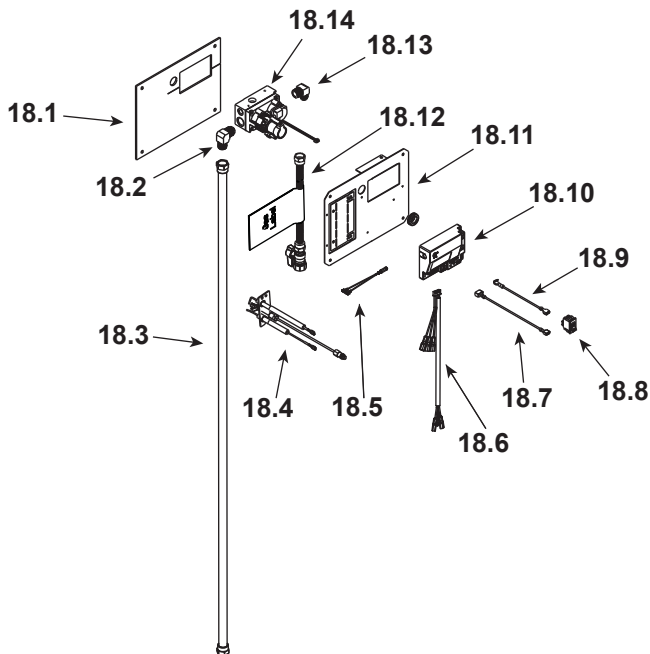


Stocked at Depot

ITEM	DESCRIPTION	COMMENTS	PART NUMBER	Stocked at Depot
	Log Set Assembly, Ships in 1 Box		4066-077	Y
1	Log 1, Rear Log		4066-520	
2	Log 2, Left Front		4066-518	
3	Log 3, Right Front		4066-519	
4	Log 4, Top Left		4066-517	
5	Log 5, Top Right		4066-516	
6	Log 6, Top	Qty 3 req	4067-319	
7	Standoff	Qty 2 req	4066-119	
8	Burner/Grate Assembly		4066-079	Y
8.1	Orifice, NG		4066-154	
	Orifice, LP		4066-155	
8.2	Connector		4066-156	
9	Deflector		SRV4066-258	
10	Screen Rod		4067-305	Y
11	Screen Assembly	Qty 2 req	4066-023	Y
12	Upper Front		SRV4066-224	
13	Front Sides	Qty 2 req	SRV4066-125	
14	Pilot Bracket		SRV4067-112	
15	Pilot Shield		SRV4066-127	
16	Heat Shield		SRV4067-113	
17	Control Box Assembly		4066-325	Y
18	Valve Assembly		Refer to valve page	
	Lava Rock		SRVACC10	
	Electrical Conversion		ELEC-CARODG	
	Jumper Wire		SRV2187-198	Y
	Transformer, 6 V Wall		SRV2326-131	Y
	Wire Assembly		4021-711	Y
	Cover, Outlet Box		4066-311	
	Electrical Kit Install		4066-323	
	Touch up Paint Fiber		STRATFORD-KIT	
	Patch Kit, Fiber		PATCHKIT-FB	
	Conversion Kit NG		NGK-CARODG36	Y
	Conversion Kit LP		LPK-CARODG36	Y
	Pilot Orifice NG		SRV593-528	Y
	Pilot Orifice LP		SRV593-527	Y
	Regulator NG		NGK-DXV-50	Y
	Regulator LP		SRVLPK-DXV-50	Y

Additional service part numbers appear on following page.

#18 Valve Assembly



IMPORTANT: THIS IS DATED INFORMATION. Parts must be ordered from a dealer or distributor. **Hearth and Home Technologies does not sell directly to consumers.** Provide model number and serial number when requesting service parts from your dealer or distributor.



Stocked at Depot

ITEM	DESCRIPTION	COMMENTS	PART NUMBER	
18.1	Gasket , Pilot Bracket		4066-328	
18.2	90 Degree Elbow		4042-314	
18.3	SS FlexLine		4021-696	Y
18.4	Pilot Assembly NG		4021-628	Y
	Pilot Assembly LP		4021-629	Y
	Pilot Tube		4021-705	Y
18.5	Wire Assembly		4021-711	Y
18.6	Wire Harness		2166-304	Y
18.7	Wire Assembly		4021-710	Y
18.8	On/ Off Switch		SRV060-511	Y
18.9	Wire Assembly		4021-697	Y
18.10	Module		2166-347	Y
18.11	Valve Bracket		SRV4066-115	
18.12	Flex Ball Valve Assembly		2078-022	Y
18.13	Male Elbow		SRV4021-045	
18.14	Valve NG		2166-302	Y
	Valve LP		2166-303	Y
	Electric Kit to AC Power		4066-073	
	Power Supply		SRV2326-131	Y
	Controls Rebuild Kit		CK-CARODG-B2C	