

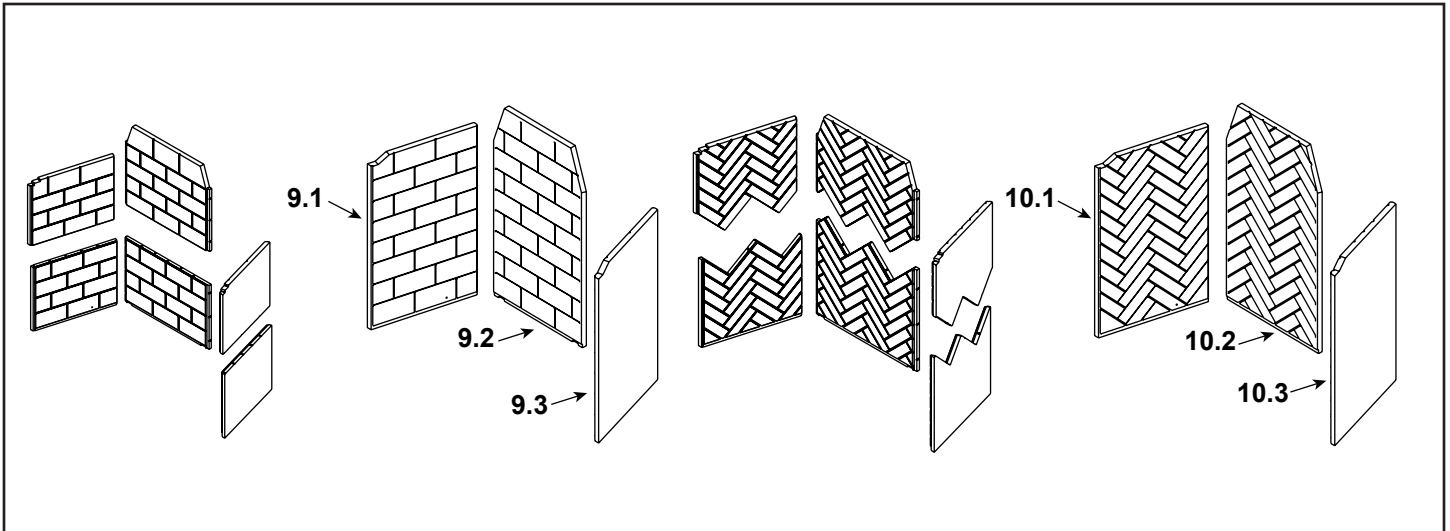
IMPORTANT: THIS IS DATED INFORMATION. When requesting service or replacement parts for your appliance please provide model number and serial number. All parts listed in this manual may be ordered from an authorized dealer.



**Stocked at Depot**

ITEM	DESCRIPTION	COMMENTS	PART NUMBER	
1	Damper Blade Assembly		4059-030	
2	Damper Control		SRV35159	
3	Outside Air Collar Assembly	Qty 2 req	4059-037	
4	OA Door	Qty 2 req	4059-049	
5	Screen Rod		SRV4059-313	
	Screen Rod Clips	Qty 2 req	SRV4059-111	
6	Firescreen Assembly		SRV4059-029	
7	Grate Assembly		GR39	
8	Hearth Molded Brick Panel	<b>No longer available</b>	4059-034	
			SRV4059-697	
	Insect Guard Screening		14DCA-SCRN	
	Mortar	10 LB Pail	MMMORTR	
	Spacing Clips, 1/2 in.	Pkg of 30	14DCA-SPCRM	
	Outside Air Hood	Qty 2 req	SRV4059-051	
	Installation Manual		4059-332	

Additional service parts on following page



IMPORTANT: THIS IS DATED INFORMATION. When requesting service or replacement parts for your appliance please provide model number and serial number. All parts listed in this manual may be ordered from an authorized dealer.



**Stocked  
at Depot**

ITEM	DESCRIPTION	COMMENTS	PART NUMBER	
<b>Traditional Molded Brick Panel</b>				
	Lower Left Panel	No longer available	4059-350	
	Upper Left Panel	No longer available	4059-351	
	Lower Right Panel	No longer available	4059-352	
	Upper Right Panel	No longer available	4059-353	
	Lower Rear Panel	No longer available	4059-364	
	Upper Rear Panel	No longer available	4059-365	
9	Traditional Refractory		MMTB50-B	
9.1	Left Panel		SRV4059-652	
9.2	Back Panel		SRV4059-663	
9.3	Right Panel		SRV4059-653	
	Refractory Fastener Pack (Contains 8 panhead screws, drill bit & 8 clips)		4059-668	
<b>Herringbone Molded Brick Panel</b>				
	Lower Left Panel	No longer available	4059-357	
	Upper Left Panel	No longer available	4059-358	
	Lower Right Panel	No longer available	4059-359	
	Upper Right Panel	No longer available	4059-360	
	Lower Rear Panel	No longer available	4059-368	
	Upper Rear Panel	No longer available	4059-369	
10	Herringbone Refractory		MMHB50-B	
10.1	Left Panel		SRV4059-656	
10.2	Back Panel		SRV4059-665	
10.3	Right Panel		SRV4059-657	
	Refractory Fastener Pack (Contains 8 panhead screws, drill bit & 8 clips)		4059-668	